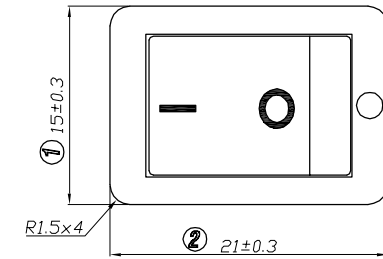
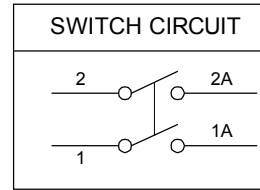
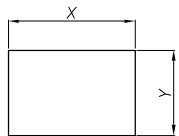


1. 跷板开关型号 ROCKER SWITCH MODEL NO.SS21-BBIWC2-R
- 2.PCB端子 PCB CONNECTOR TYPE
3. 额定值 RATING:10A 125/250VAC(C-UL)
12(4)A 250V~T85/55(ENEC17;NEMKO;CQC)

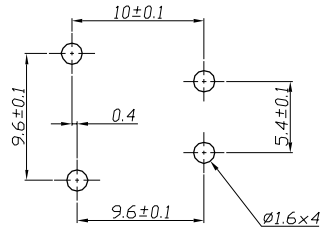
4. 柄的颜色 ACTUATOR COLOR:BLACK
5. 基座的颜色 HOUSING COLOR: BLACK
6. 柄的印字形式 ACTUATOR PRINTING:" $\frac{1}{2}$ "白色 WHITE COLOR
7. 所有部件均使用环保材料
ALL MATERIALS USING MEET THE RoHS DIRECTIVE



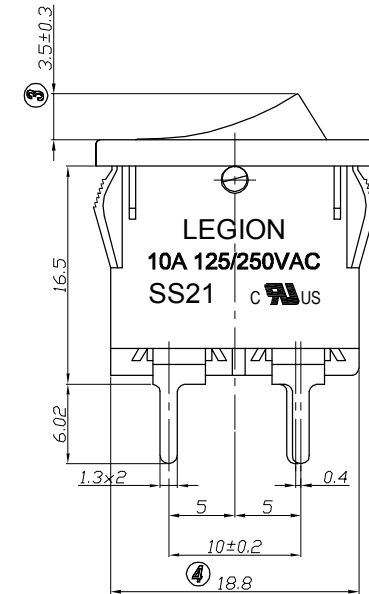
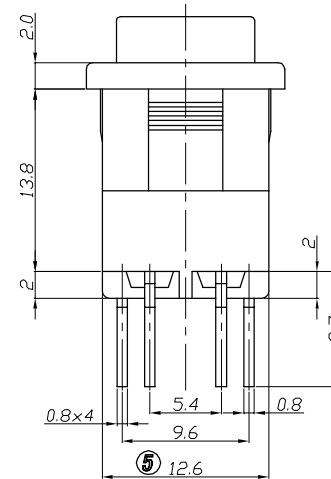
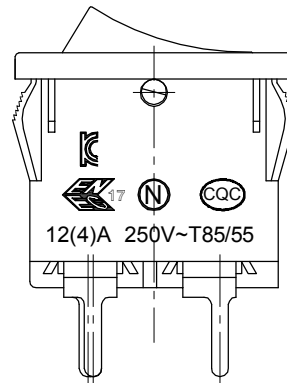
PANEL CUTOUT DIMENSION



PCB MOUNTING HOLE ARRANGEMENT



PANEL THICKNESS	X	Y
0.75~1.25mm	19.2 ⁺⁰ _{-0.1} mm	12.9 ^{+0.1} ₋₀ mm
1.25~2.0mm	19.4 ⁺⁰ _{-0.1} mm	12.9 ^{+0.1} ₋₀ mm
2.0~3.0mm	19.8 ⁺⁰ _{-0.1} mm	12.9 ^{+0.1} ₋₀ mm



NO	DESCRIPTION	NO	DESCRIPTION	DIMENSIONAL TOLERANCES		APPROVED	CHECKED	DESIGN	DRAWN	ALL SIZE ARE IN		DRAWING NO. REV.	
				RANGE	TOLERANCE					MM	NO	DRAWING NO.	REV.
5	→	10	→	X	±0.30	LMC 2020.11.14				SCALE	MM	SS21-BBIWC2-R	*****
4	→	9	→	X.X	±0.20					MAT'L	NO		
3	→	8	→	X.XX	±0.10					MATERIAL NO.	***		
2	→	7	→	ANGLES	±1°								
1	→	6	→										
LEGION ELECTRONIC & HARDWARE CO., LTD.												A0	