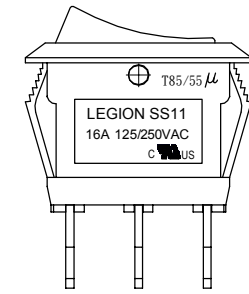
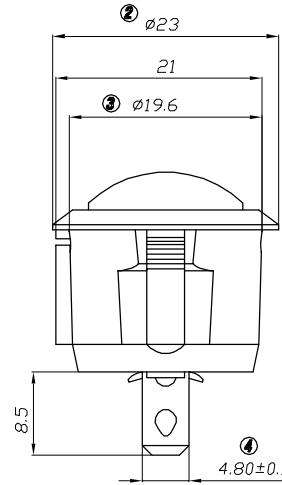
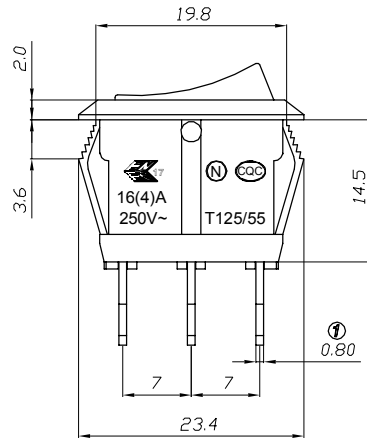
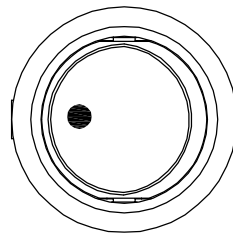
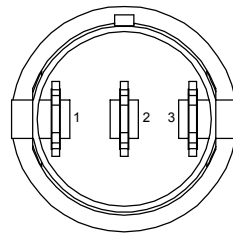
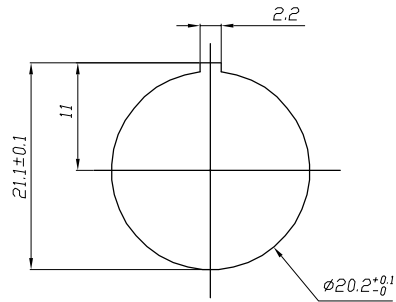


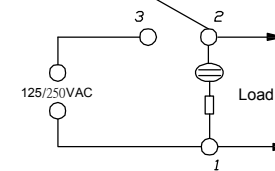
1. 电路CIRCUIT:ON/OFF ;
2. 快插端子 QUICK CONNECTOR TYPE;
单刀单掷 (SINGLE POLE SINGLE THROW);
3. 额定值 RATING: 16A 125/250VAC (UL;C-UL);
12A 125/250VAC (UL;C-UL);
10A 125/250VAC (UL;C-UL);
6A 125/250VAC (UL;C-UL);
16(4)A 250V~T125/55(ENEC17;NEMKO;CQC;CB)
12A 125/250V~T125/55(CQC)
10A 125/250V~T125/55(ENEC17;NEMKO;CQC;CB)
6A 125/250V~T125/55(ENEC17;NEMKO;CQC;CB)
4. 柄的颜色 ACTUATOR COLOR: 红色 RED
基座的颜色 HOUSING COLOR: 黑色 BLACK
5. 柄的印字形式 ACTUATOR PRINTING: 白色 "•" WHITE COLOR
6. 所有部件均使用环保材料
ALL MATERIALS USE IN CONFORMIY WITH THE RoHS DIRECTIVE



Panel cut out(Thickness: 3mm Max)



Circuit of Switch



5	→	10	→	DIMENSIONAL TOLERANCES		APPROVED	CHECKED	DESIGN	DRAWN	ALL SIZE ARE IN	MM			
4	→	9	→	RANGE	TOLERANCE				LMC	SCALE	NO			
3	→	8	→	X	±0.30				2020.04.21	MAT'L	***			
2	→	7	→	X.X	±0.20					MATERIAL NO.		DRAWING NO.	REV.	
1	→	6	→	X.XX	±0.10							SS11-RBDWD-RR23-L02-R	WIF120046	AO
NO	DESCRIPTION	NO	DESCRIPTION	ANGLES	±1'	LEGION ELECTRONIC & HARDWARE CO., LTD.								