

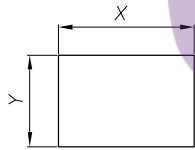
1. 跷板开关型号 ROCKER SWITCH MODEL SS11-BBIWG-R20-H;
2. 快插端子 QUICK CONNECTOR TYPE;
单刀单掷(SINGLE POLE DOUBLE THROW);
3. 额定值 RATING: 16A 125/250VAC (UL;C-UL);
12A 125/250VAC (UL;C-UL);
16(4)A 250V~T125/55(ENEC17;NEMKO;CQC;CB)

UL APPROVAL FILE NO.:E153399
 ENEC CERTIFICATE NO.:NO3715
 NEMKO CERTIFICATE NO.:P09211556/A1
 CQC CERTIFICATE NO.10002049681
 CB CERTIFICATE NO.:NO62986/A2

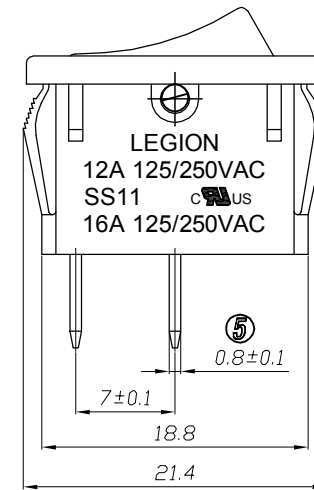
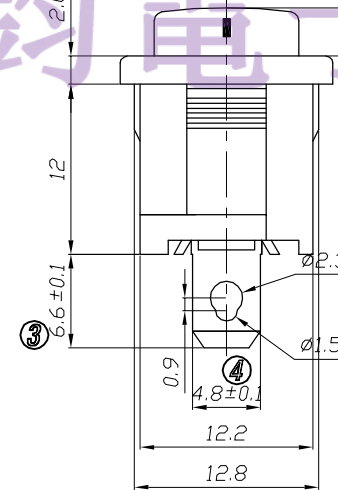
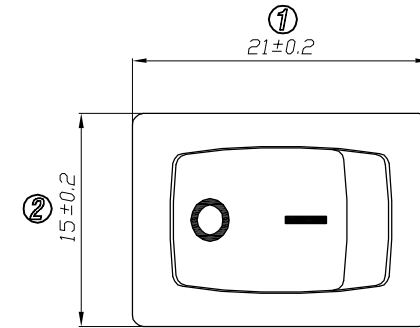
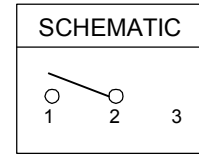
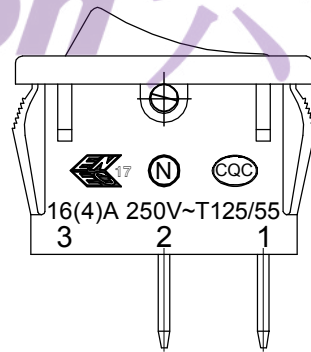
4. 柄的颜色 ACTUATOR COLOR: 黑色 BLACK
基座的颜色 HOUSING COLOR: 黑色 BLACK
5. 柄的印字形式 ACTUATOR PRINTING: 白色 "O/-" WHITE COLOR
6. 所有部件均使用环保材料
ALL MATERIALS USE IN CONFORMITY WITH THE RoHS DIRECTIVE
7. 耐电压 DIELECTRIC STRENGTH: $\geq 3000VAC$ 0.5mA 1 min(温度 40 °C, 湿度 93-94%, 放置 120 小时, 端子与上盖之间的耐压)

TEL: 0769-82310511-867

PANEL CUTOUT DIMENSION



| PANEL THICKNESS | X | Y |
|-----------------|---------------------------------------|---------------------------------------|
| 0.8~1.2mm | 19.2 ⁺⁰ _{-0.1} mm | 12.9 ^{+0.1} ₋₀ mm |
| 1.3~2.0mm | 19.4 ⁺⁰ _{-0.1} mm | 12.9 ^{+0.1} ₋₀ mm |
| 2.1~2.5mm | 19.8 ⁺⁰ _{-0.1} mm | 12.9 ^{+0.1} ₋₀ mm |



| NO | DESCRIPTION | NO | DESCRIPTION | DIMENSIONAL TOLERANCES | | APPROVED | CHECKED | DESIGN | DRAWN | ALL SIZE ARE IN | | DRAWING NO. REV. | |
|---|-------------|----|-------------|------------------------|-----------|----------|---------|--------|------------|------------------|----|------------------|------|
| | | | | RANGE | TOLERANCE | | | | | MM | NO | DRAWING NO. | REV. |
| | | | | X | ±0.30 | | | | LMC | | | | |
| | | | | X.X | ±0.20 | | | | 2019.05.20 | | | | |
| | | | | X.XX | ±0.10 | | | | | | | | |
| | | | | ANGLES | ±1° | | | | | | | | |
| LEGION ELECTRONIC & HARDWARE CO., LTD. | | | | | | | | | | SS11-BBIWG-R20-H | | WIF119090 A | |