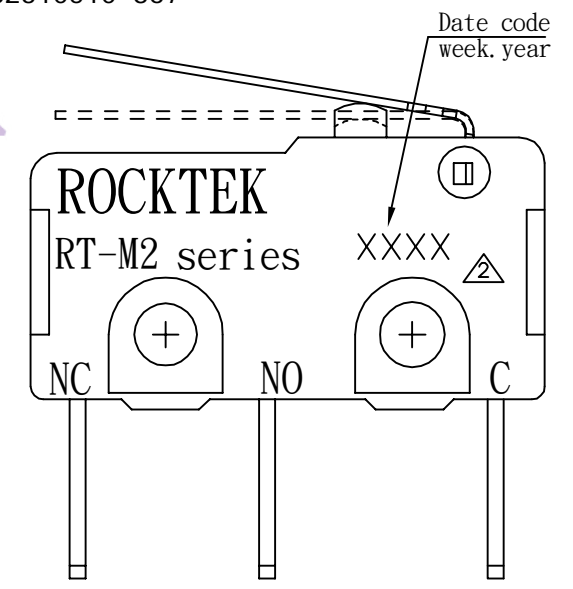
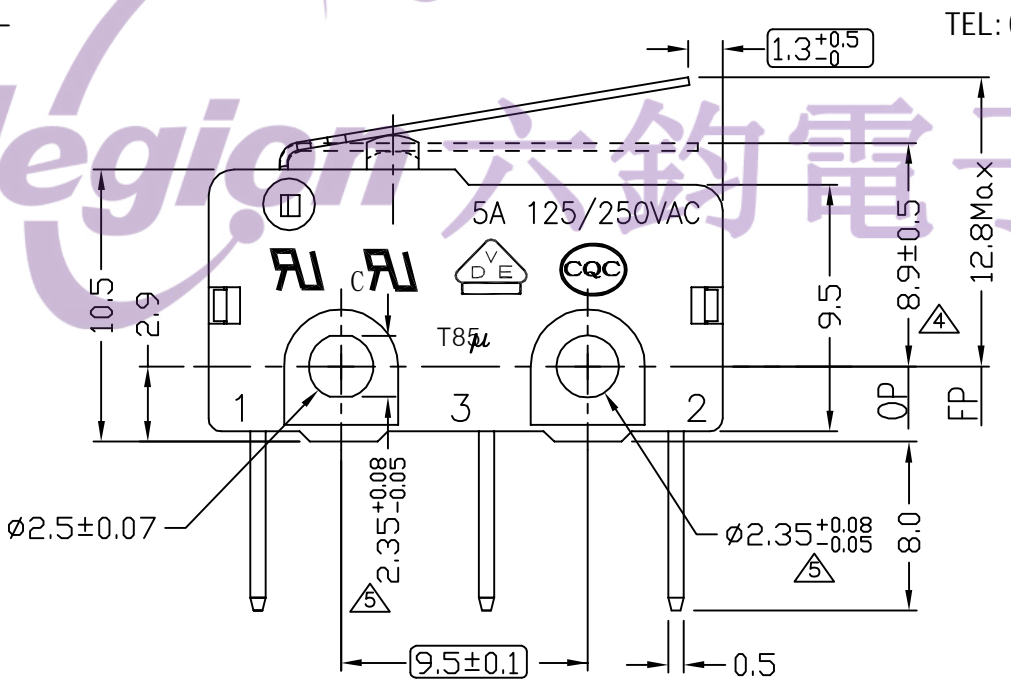
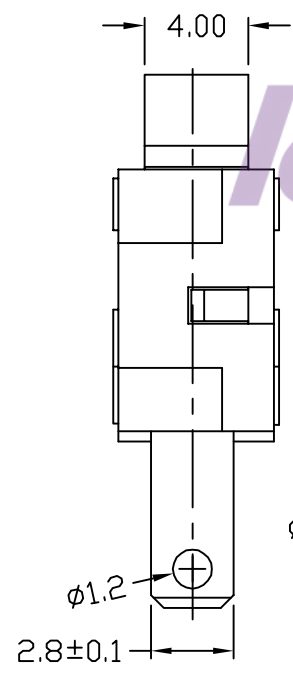


- NOTES:  
 1. " " DENOTES CRITICAL DIMENSIONS.  
 2. RATING: 5A 125/250VAC.  
 3. OPERATING FORCE: 0.98N (100GF) MAX.  $\triangle 6$   
 RELEASE FORCE: 0.06N (6GF) MIN.  
 4. ELECTRICAL LIFE: 15200 MIN, AT FULL STROKE.  
 5. CONTACT RESISTANCE: <math>< 50m\Omega</math>  
 6. INSULATION RESISTANCE: > 100M $\Omega$  (500VDC BETWEEN OPEN CONTACTS)  
 $\triangle 3$  7. DIELECTRIC STRENGTH: > 1500Vac 0.5mA 1 MINUTE  
 8. COLOR: BLACK. 9. TERMINA: ACCORD THE UL310 STANDAND.  
 10. COMPLY WITH THE REQUIEMENTS OF THE EU DIRECTION 2002/GS/EC ROHS AND SUBSEQUENT AMENDMENTS.  
 11. UL FILE NO.: E300970.

TEL: 0769-82310510-867



$\triangle 5$	9.0(MIN) → 8.9±0.5	$\triangle 10$	→	DIMENSIONAL TOLERANCES		APPROVED	CHECKED	DESIGN	DRAWN	ALL SIZE ARE IN	MM		
$\triangle 4$	add notes	$\triangle 9$	→	RANGE	TOLERANCE			LMC	simon	SCALE	FIT		
$\triangle 3$	add notes	$\triangle 8$	→	X	±0.4					MAT'L	***	DRAWING NO.	
$\triangle 2$	add Date code	$\triangle 7$	→	X.X	±0.3					MATERIAL NO.			REV
$\triangle 1$	8.8±0.8 → 9.0(MIN)	$\triangle 6$	→	X.XX	±0.2					RTM2-1CNL05A200 D/C	WIF108032		E
NO	DESCRIPTION	NO	DESCRIPTION	ANGLES	±0.5°	ROCK TEK ELECTRICAL(SHENZHEN) CO.,LTD.							