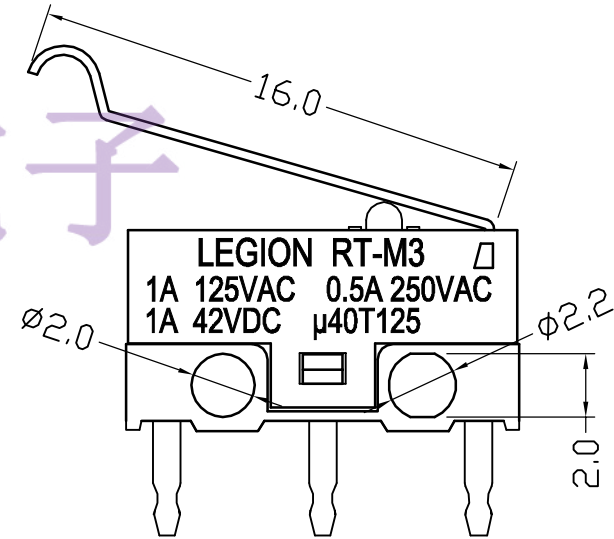
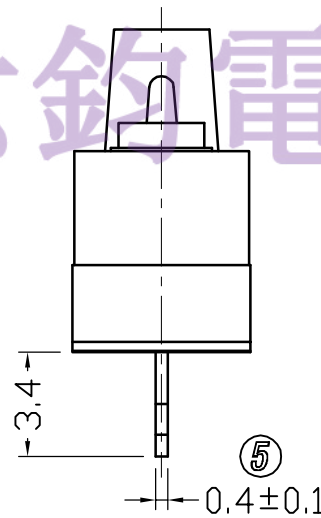
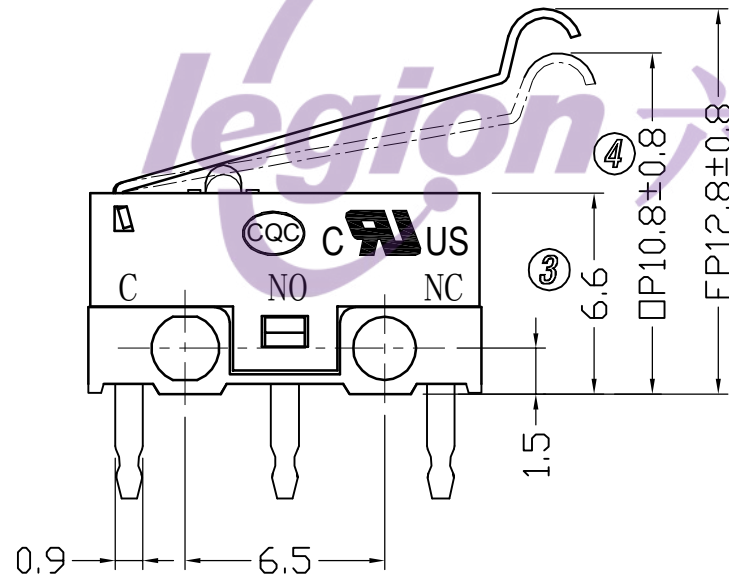
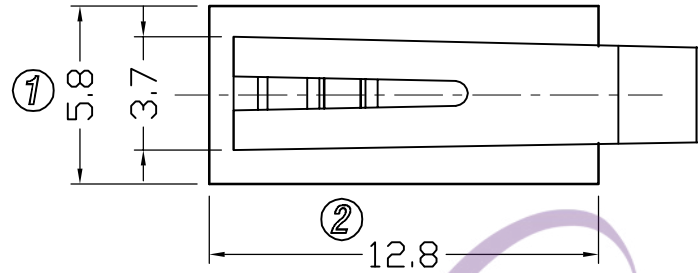
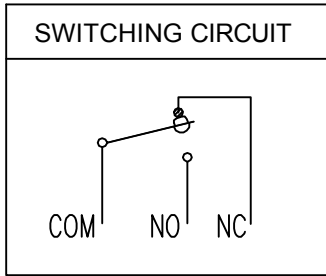


NOTES:

1. RATING: 1A 125VAC (UL, CUL; CQC)
0.5A 250VAC (UL, CUL; CQC)
1A 42VDC (UL, CUL; CQC)
2. OPERATING FORCE: 30 ± 20 gf
3. CONTACT RESISTANCE: < 500 m Ω
4. INSULATION RESISTANCE: > 100 M Ω (500VDC BETWEEN OPEN CONTACTS)
5. DIELECTRIC STRENGTH: > 500 VAC 0.5mA 1 MINUTE
6. ELECTRICAL LIFE: 10,000 cycles
7. MECHANICAL LIFE: 1,000,000 cycles

TEL: 0769-82310510-867



5	→	10	→	DIMENSIONAL TOLERANCES		APPROVED	CHECKED	DESIGN	DRAWN	ALL SIZE ARE IN	MM		
4	→	9	→	RANGE	TOLERANCE				LMC	SCALE	NO		
3	→	8	→	X	±0.30				2020.10.29	MAT'L	***		
2	→	7	→	X.X	±0.20					MATERIAL NO.		DRAWING NO.	REV.
1	→	6	→	X.XX	±0.10								
NO	DESCRIPTION	NO	DESCRIPTION	ANGLES	±1'	LEGION ELECTRONIC & HARDWARE CO., LTD.				RT-M3-08B3P10A030-A	WIF121056	AO	