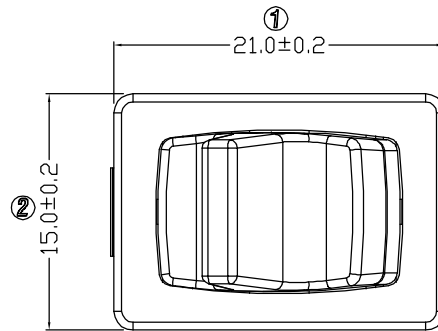
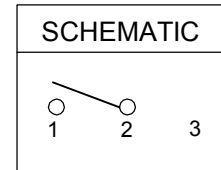
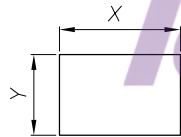


1. 电路CIRCUIT: ON/OFF;
2. 快插端子QUICK CONNECTOR TYPE;
单刀单掷(SINGLE POLE DOUBLE THROW);
3. 额定值RATING: 16A 125/250VAC (UL;C-UL);
12A 125/250VAC (UL;C-UL);
16(4)A 250V~T125/55 (ENEC17;NEMKO;CQC;CB)
4. 柄的颜色ACTUATOR COLOR: 黑色BLACK
基座的颜色HOUSING COLOR: 黑色BLACK
5. 所有部件均使用环保材料
ALL MATERIALS USE IN CONFORMIY WITH THE RoHS DIRECTIVE

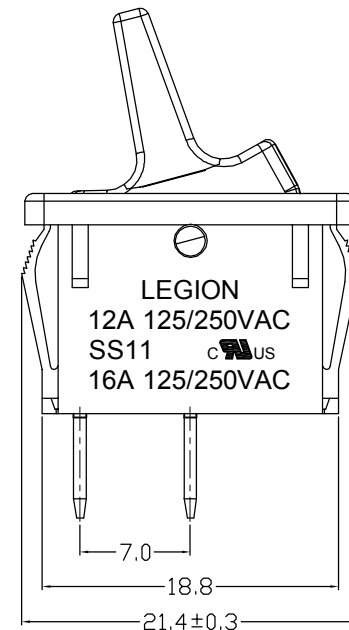
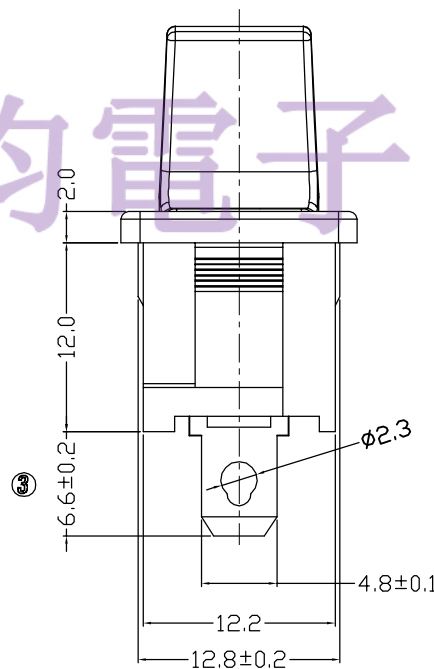
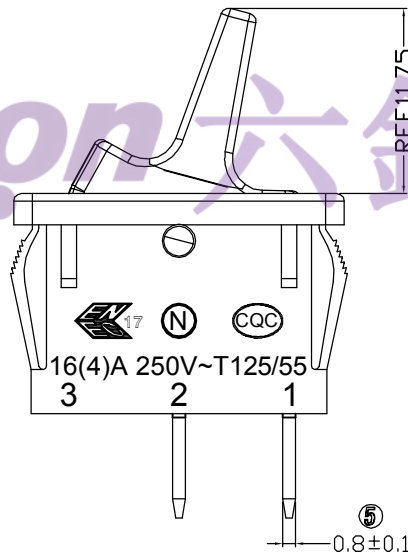
TEL: 0769-82310511-867



PANEL CUTOUT DIMENSION



PANEL THICKNESS	X	Y
0.8~1.2mm	19.2 ⁺⁰ _{-0.1} mm	12.9 ^{+0.1} ₋₀ mm
1.3~2.0mm	19.4 ⁺⁰ _{-0.1} mm	12.9 ^{+0.1} ₋₀ mm



NO	DESCRIPTION	NO	DESCRIPTION	DIMENSIONAL TOLERANCES		APPROVED	CHECKED	DESIGN	DRAWN	ALL SIZE ARE IN		DRAWING NO. REV.	
				RANGE	TOLERANCE					MM	NO	DRAWING NO.	REV.
				X	±0.30				LMC	SCALE			
				X.X	±0.20				2022.07.04	MAT'L		***	
				X.XX	±0.10					MATERIAL NO.		SS11-BBNG-A20-R	*****
				ANGLES	±1°	LEGION ELECTRONIC & HARDWARE CO., LTD.						AO	