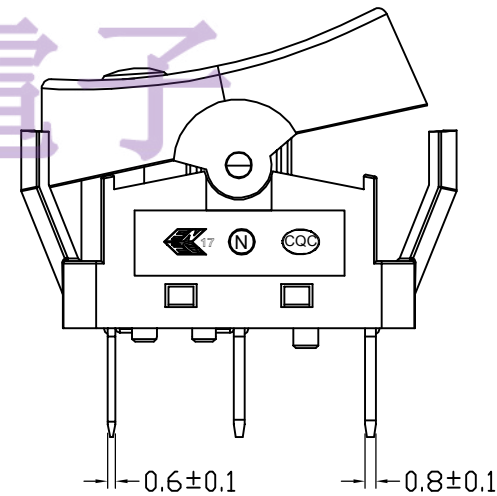
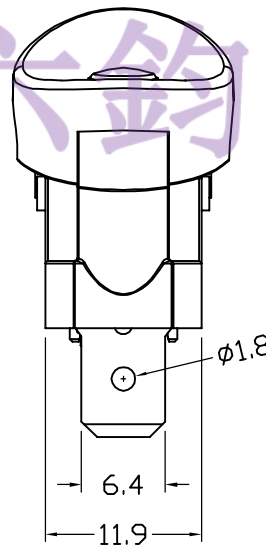
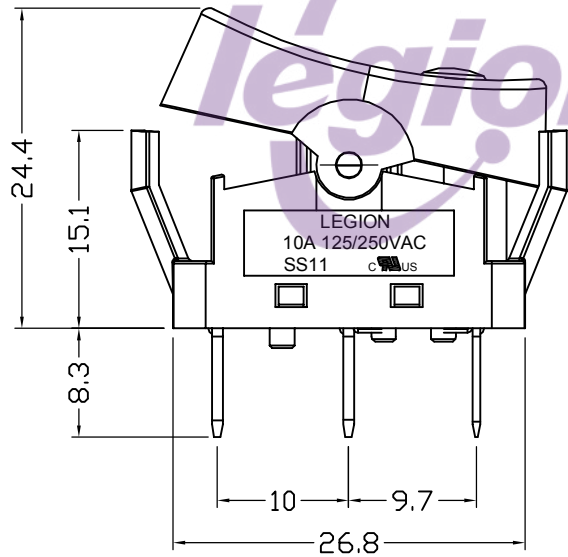


1. 电路CIRCUIT: ON/OFF;
2. 快插端子QUICK CONNECTOR TYPE;  
单刀单掷(SINGLE POLE DOUBLE THROW);
3. 额定值RATING:10A 125/250VAC (UL;C-UL ;ENEC17;NEMKO;CQC);
4. 柄的颜色ACTUATOR COLOR:BLACK 黑色+RED WITH LENS(红色鱼眼柄)
5. 基座颜色HOUSING COLOR:BLACK 黑色
6. 所有部件均使用环保材料  
ALL MATERIALS USE IN CONFORMIY WITH THE RoHS DIRECTIVE

电话 : 0769-82310511-867



5	→	10	→	DIMENSIONAL TOLERANCES		APPROVED	CHECKED	DESIGN	DRAWN	ALL SIZE ARE IN	MM			
4	→	9	→	RANGE	TOLERANCE				GYW	SCALE	NO			
3	→	8	→	X	±0.30				2022.05.05	MAT'L	***			
2	→	7	→	X.X	±0.20					MATERIAL NO.		DRAWING NO.	REV.	
1	→	6	→	X.XX	±0.10							SS11-BBNNB-LF20-L84-R	*****	AO
NO	DESCRIPTION	NO	DESCRIPTION	ANGLES	±1'	LEGION ELECTRONIC & HARDWARE CO., LTD.								