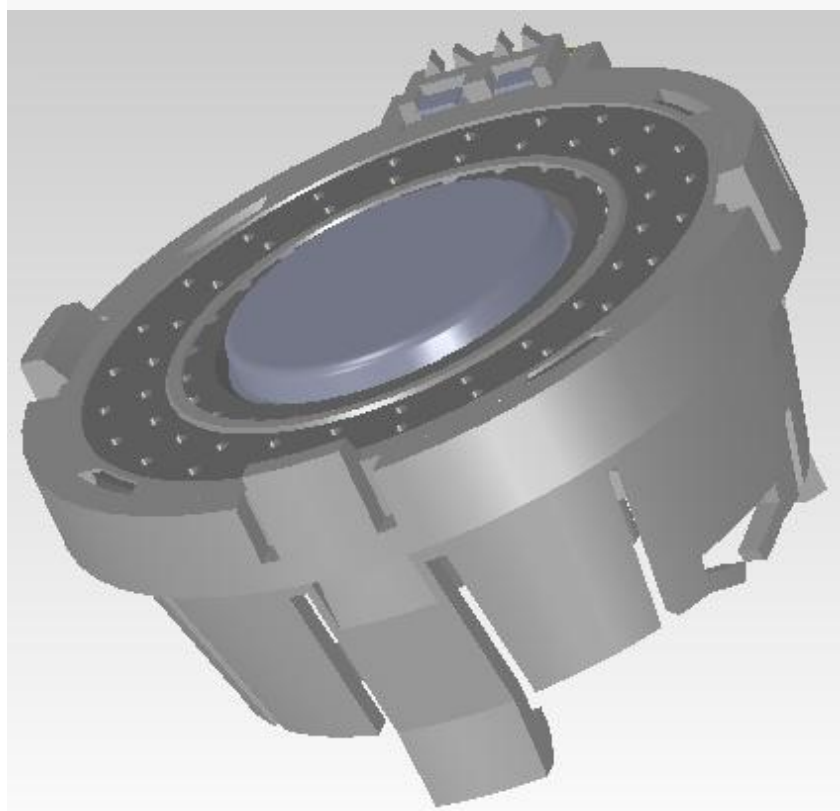
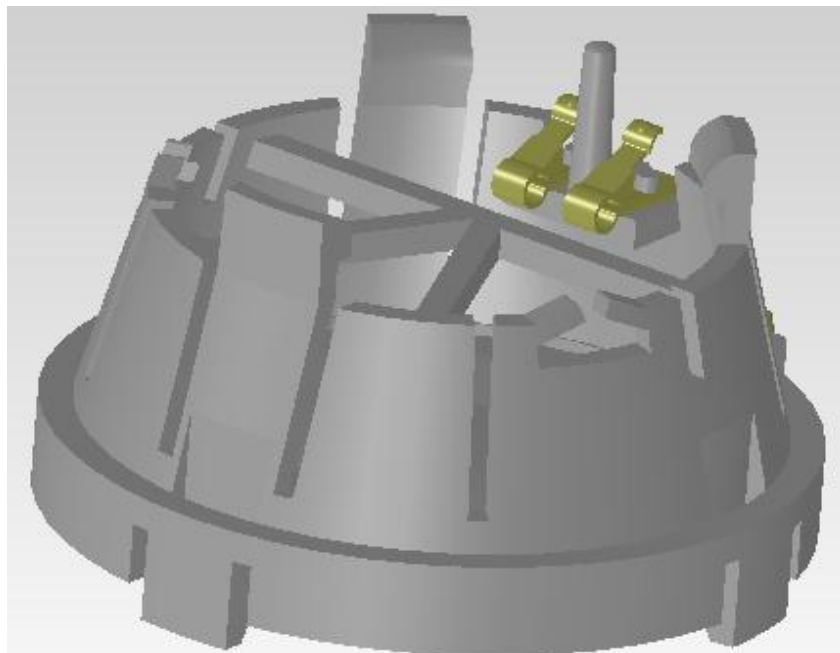


SPECIFICATION

BDT3745H16.5P LF





SPECIFICATION FOR AUTOMOTIVE SPEAKER

TOTAL PAGE	10	www.bestargroups.com	RoHS
------------	----	--	------

Customer		Model Name	BDT3745H16.5P LF
Customer P/N		Product No.	137702
Date	12 Dec.2016	Issue No.	BS/TES01.1075C
Page	01 of 10	Issue Date	2016/12/12

Approval:

- 1.Characteristics
- 2.Dimension
- 3.Bill of Material
- 4.Reliability Test
- 5.Packing
- 6.History Change Record

Drawn by	Checked by	Approved by	Customer approved
毛钰麒	莫丽丽	徐金国	

BESTAR HOLDING CO.,LTD

No.199 HuangHe West Road,New district,ChangZhou,JiangSu Province,P.R.China

Tel: +86 519 88222567

Fax: +86 519 88222551

E-mail: wu@be-star.com

<http://www.bestargroups.com>

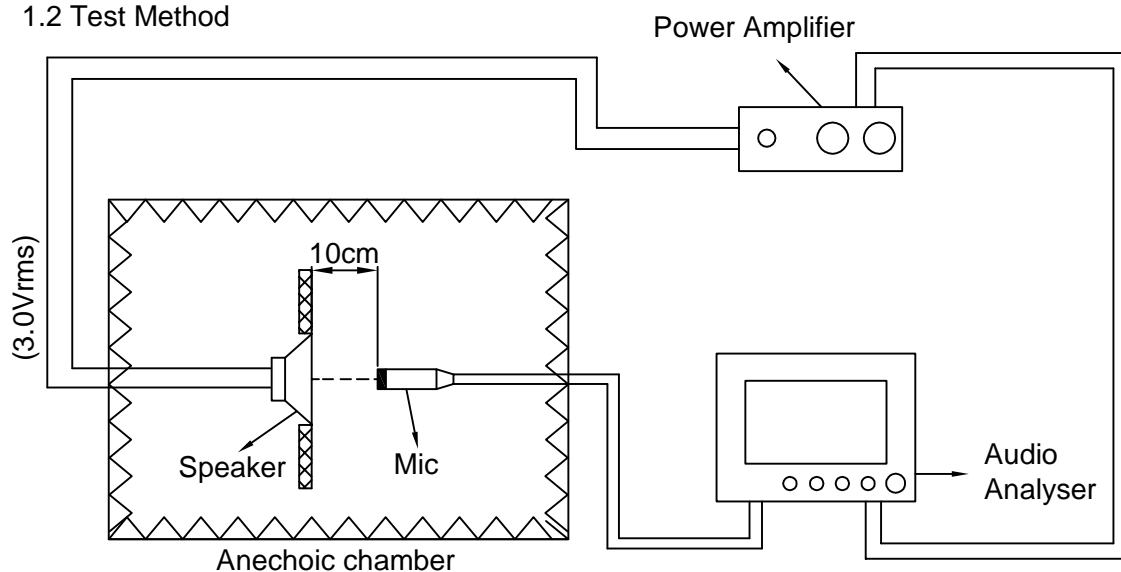
BDT3745H16.5P LF

1.Characteristics

1.1 Electrical and Mechanical Characteristics

No.	Item	Specification
1.	Dimension	∅37×16.5(mm)
2.	DC Resistance (at 20°C)	45 Ω ±6
3.	AC Impedance	50 Ω ±15%(at 1KHz)
4.	Rated Input Power	0.2W(3.0Vrms)
5.	Maximum Input Power	0.4W(4.24Vrms)
6.	Resonance Frequency	500Hz ±20%
7.	Frequency Response	200~8KHz
8.	S.P.L	Min86dB/0.1m/3.0V at 1.0KHz
9.	THD	≤5% (at 1KHz/3V,0.1m)
10.	Buzzes & Rattles	Must be normal at sine wave 3.0Vrms
11.	Polarity	Positive voltage to (+),Diaphragm moves forward
12.	Operating Temperature	-40~+ 105°C
13.	Storage Temperature	-40~+ 120°C
14.	Weight	~11g
15.	Spring Contact Force	Min 2.5N

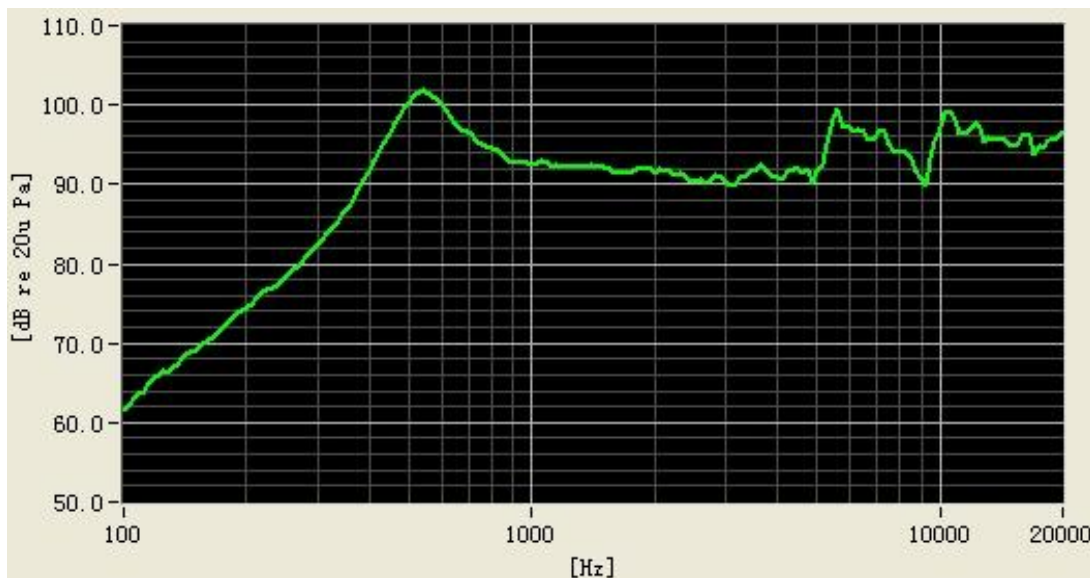
1.2 Test Method



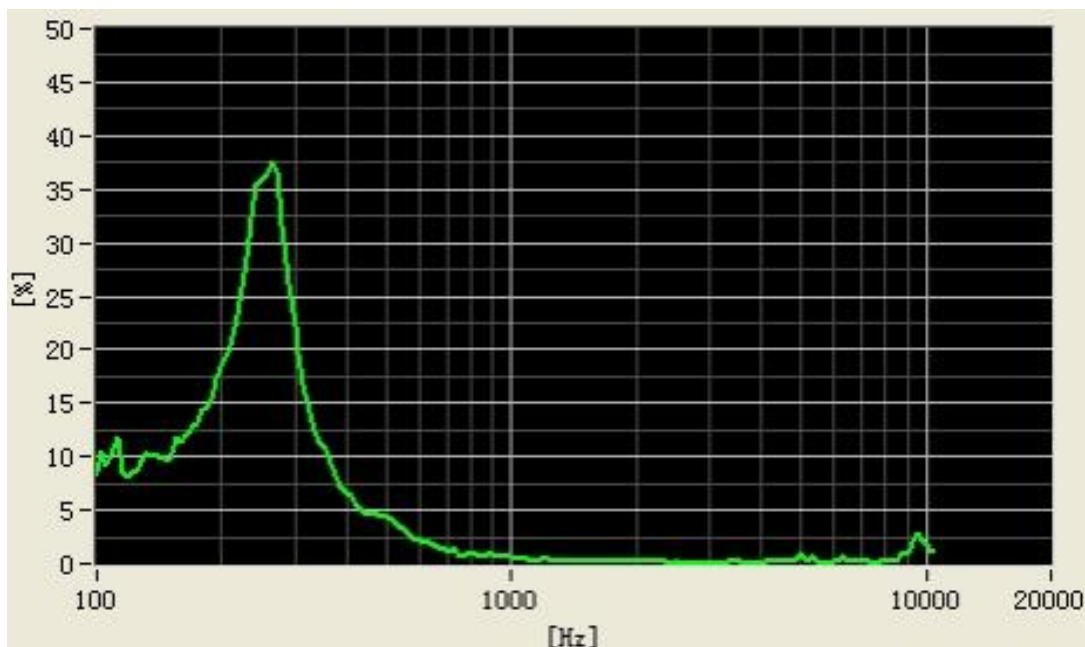
				Date:	2016/12/12	BDT3745H16.5P LF	
				Drawn by:	毛钰麒		
C	2016/12/12	毛钰麒		Checked by:	莫丽丽	Speaker	
Rev.	Date	Drawn	Note	Approved by:	徐金国		
BESTAR HOLDING CO.,LTD						DRG NO: BS/TES01.1075C	Page:02 of 10
www.bestargroups.com wu@be-star.com							

BDT3745H16.5P LF

1.3 Frequency Response Curve (at sine wave 3v,0.1m,using SOUNDCHECK testing)



1.4 Total Harmonic Distortion Curve (at sine wave 3v,0.1m,using SOUNDCHECK testing)

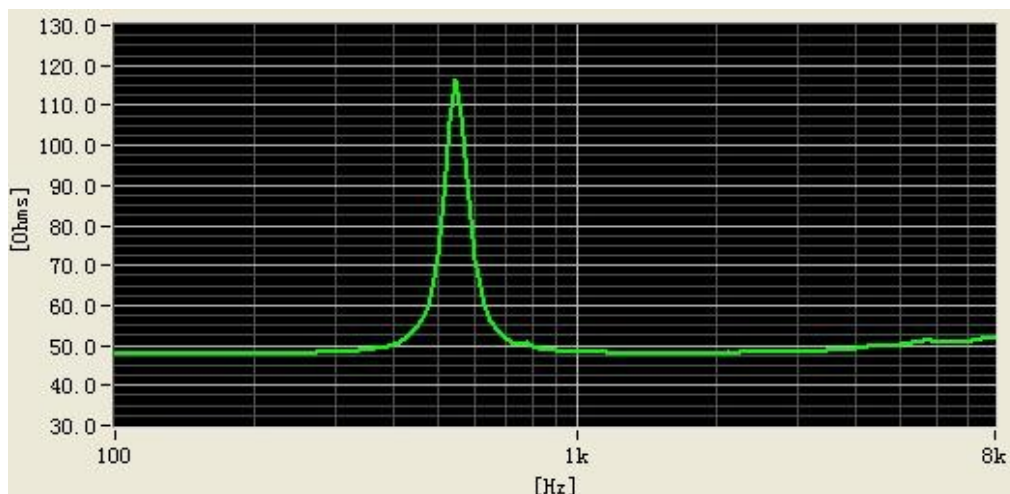


This print and information there in are proprietary to BeStar Holding Co., Ltd. and shall not be used in whole or in part without its written content

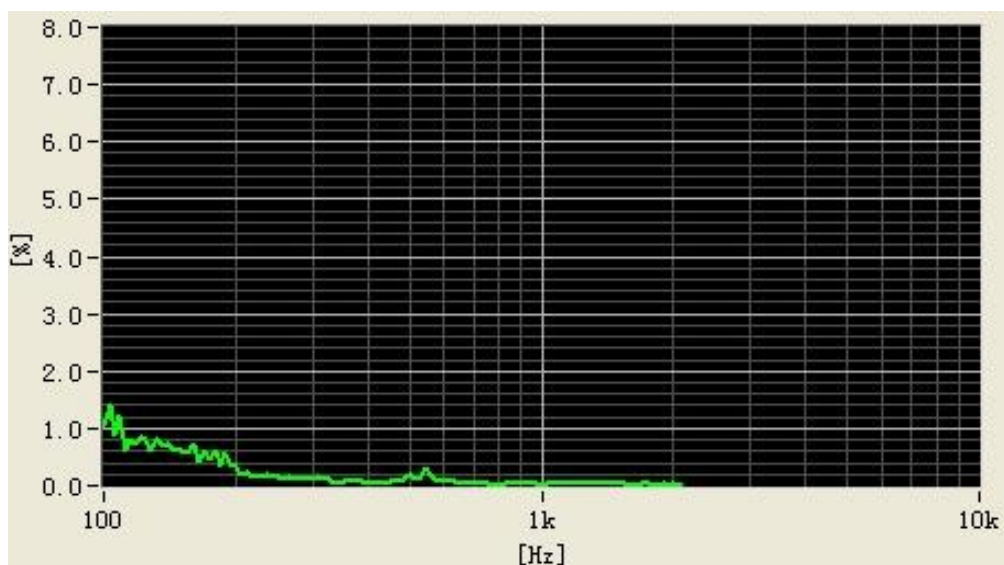
				Date:	2016/12/12	BDT3745H16.5P LF	
				Drawn by:	毛钰麒		
C	2016/12/12	毛钰麒		Checked by:	莫丽丽	Speaker	
Rev.	Date	Drawn	Note	Approved by:	徐金国		
BESTAR HOLDING CO.,LTD						DRG NO: BS/TES01.1075C	Page:03 of 10
www.bestargroups.com wu@be-star.com							

BDT3745H16.5P LF

1.5 Impedance Curve (at sine wave 3v,0.1m,using SOUNDCHECK testing)



1.6 Buzzer&Rattle Curve(at sine wave 3v,0.1m,using SOUNDCHECK testing)

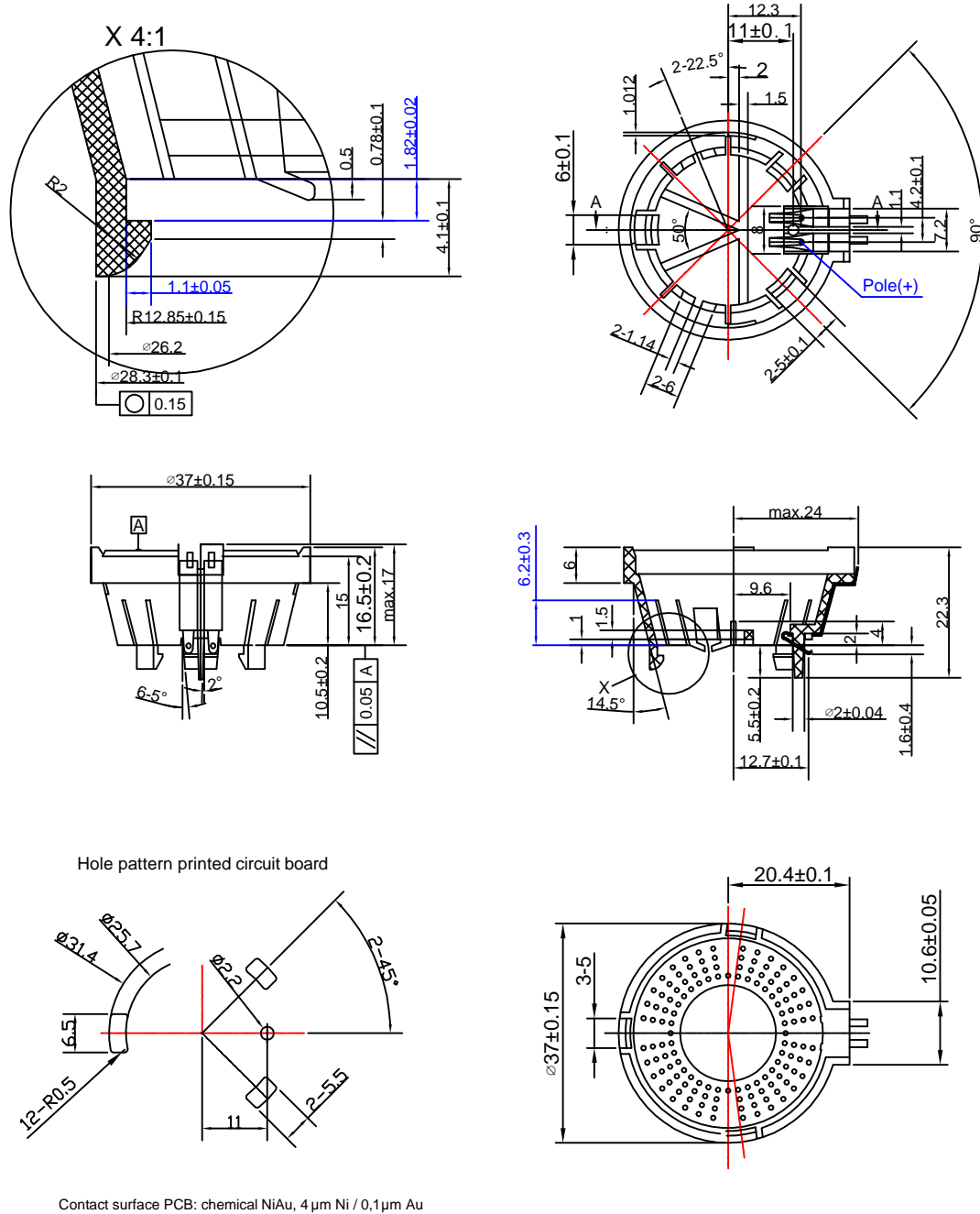


This print and information there in are proprietary to BeStar Holding Co., Ltd. and shall not be used in whole or in part without its written content

				Date:	2016/12/12	BDT3745H16.5P LF	
				Drawn by:	毛钰麒		
C	2016/12/12	毛钰麒		Checked by:	莫丽丽	Speaker	
Rev.	Date	Drawn	Note	Approved by:	徐金国		
BESTAR HOLDING CO.,LTD						DRG NO: BS/TES01.1075C	Page:04 of 10
www.bestargroups.com wu@be-star.com							

BDT3745H16.5P LF

2.Dimension

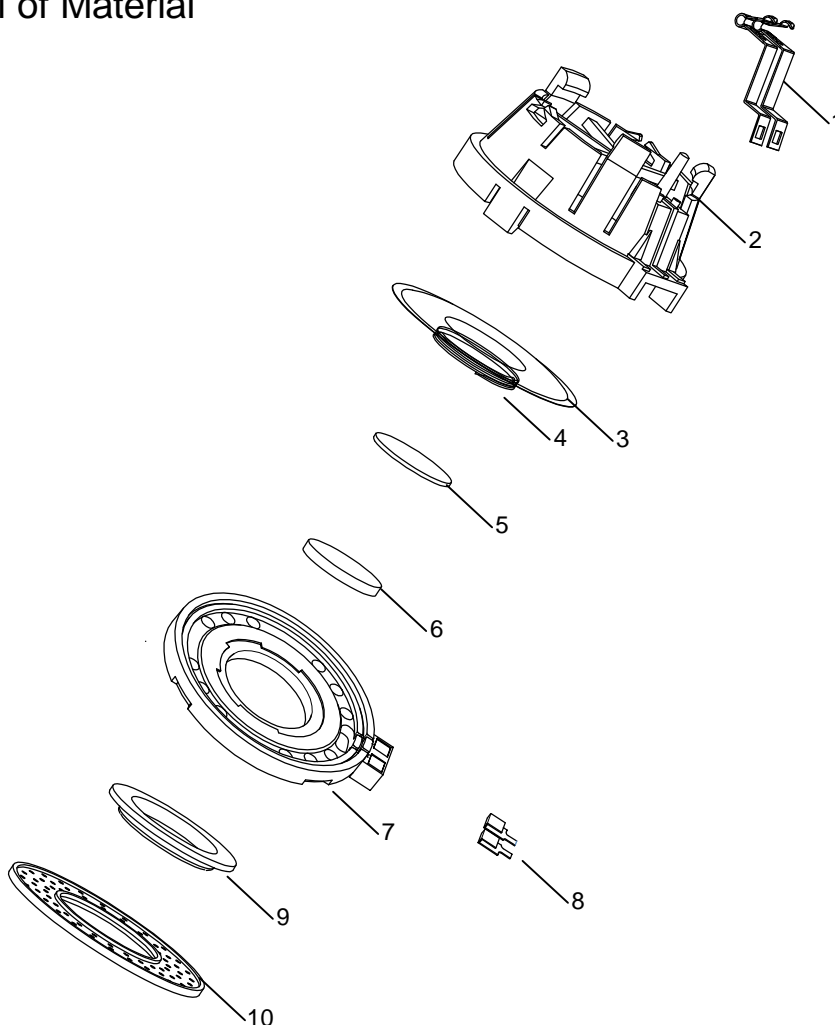


This print and information there in are proprietary to BeStar Holding Co., Ltd. and shall not be used in whole or in part without its written content

				Date:	2016/12/12	BDT3745H16.5P LF
				Drawn by:	毛钰麒	
C	2016/12/12	毛钰麒		Checked by:	莫丽丽	Speaker
Rev.	Date	Drawn	Note	Approved by:	徐金国	
BESTAR HOLDING CO.,LTD						DRG NO: BS/TES01.1075C
						Page:05 of 10

BDT3745H16.5P LF

3.Bill of Material



10	Cover	PC
9	magnet bowl	SPCC
8	Weld plate	Stainless steel
7	Frame	PC
6	Magnet	NdFeB
5	metal plate	SPCC
4	Voice Coil	∅0.05 Annealed Copper Alloy
3	Diaphragm	PEI
2	Housing	PC
1	Spring pin	Contact area plating gold
No	Parts Name	Material

				Date:	2016/12/12	BDT3745H16.5P LF
				Drawn by:	毛钰麒	
C	2016/12/12	毛钰麒		Checked by:	莫丽丽	Speaker
Rev.	Date	Drawn	Note	Approved by:	徐金国	
BESTAR HOLDING CO.,LTD						DRG NO: BS/TES01.1075C
www.bestargroups.com wu@be-star.com						Page:06 of 10

This print and information there in are proprietary to BeStar Holding Co., Ltd. and shall not be used in whole or in part without its written content

BDT3745H16.5P LF

4. Reliability Test

4.1 Load Test
 Power (Nom) Room temperature, 0.2W(440Hz sine wave)
 Duration 1000hrs

4.2 High Temperature Life Test
 Temperature +105°C
 Input 0.2W/440Hz
 Duration 500hrs

4.3 Low Temperature Life Test
 Temperature -40°C
 Input 0.2W/440Hz
 Duration 500hrs

4.4 High Temperature Test
 Temperature +120°C
 Duration 96hrs

4.5 Low Temperature Test
 Temperature -40°C
 Duration 96hrs

4.6 Thermal shock Test
 Cycles 1000
 +85°C
 -40°C
 30 min 30 min

4.7 Max input test
 Input Room temp, 0.4W/440Hz
 Duration 1min/on-2min/off, 10 cycles

4.8 Thermal, Humidity shock
 t = 24 hours/cycle. Unpowered. one cycle:
 1) 25°C — 65°C, 90-98% RH, 2.5h; 2) 65°C, 90-98% RH, 3h;
 3) 65°C — 25°C, 80-98% RH, 2.5h; 4) 25°C — 65°C, 90-98% RH, 2.5h;
 5) 65°C, 90-98% RH, 3h; 6) 65°C — 25°C, 80-98% RH, 2.5h;
 7) 25°C, 80-98% RH, 2h; -10°C, 3h 8) 25°C, 80-98% RH, 3h; total 10 cycle.
 Measurement at 24±2 hours after test conclusion.

This print and information there in are proprietary to BeStar Holding Co., Ltd. and shall not be used in whole or in part without its written content

				Date:	2016/12/12	BDT3745H16.5P LF	
				Drawn by:	毛钰麒		
C	2016/12/12	毛钰麒		Checked by:	莫丽丽	Speaker	
Rev.	Date	Drawn	Note	Approved by:	徐金国		
BESTAR HOLDING CO.,LTD						DRG NO: BS/TES01.1075C	Page:07 of 10
www.bestargroups.com wu@be-star.com							

BDT3745H16.5P LF

4.9 Vibration Test

Vibration frequency
Amplitude
Duration

10-200-10Hz/sine wave
Sweep 15min/49m/s²
X,Y,Z 3Directin 2hrs each,Total 6hrs

4.10 Fixed Drop Test

Height
Drop face

Times
Exclude bending of Pin.

1.0m
Fix onto standard Jig,drop on
concrete floor
30 times

4.11 Free Drop Test

Height
Times

Exclude bending of Pin.

1.0m
Every 3 surfacke 1 time each,
total 3 times)

Notice:

- 1.All these tests above should be measured after leaving normal temperature for 2hrs.
- 2.After the test the part shall meet specifications without any degradation in appearance and performance except SPL.SPL shall be 83dB or more from initial value after test.

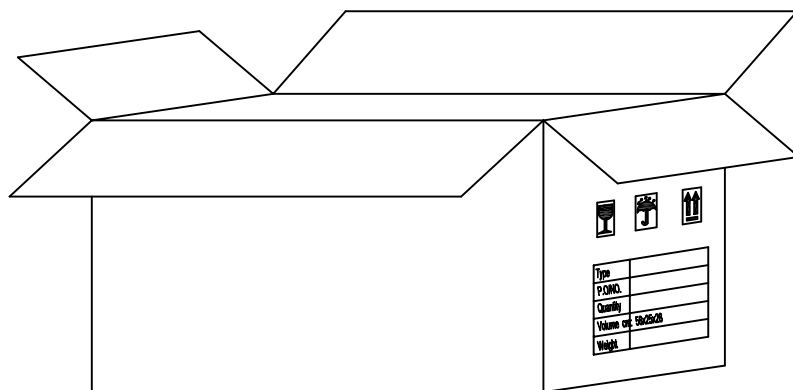
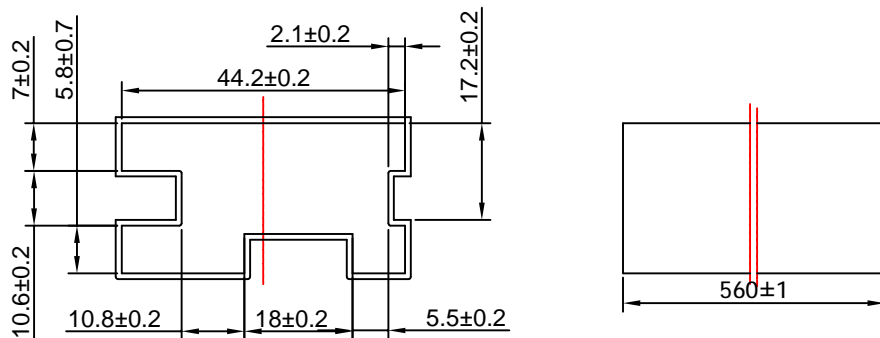
This print and information there in are proprietary to BeStar Holding Co., Ltd. and shall not be used in whole or in part without its written content

				Date:	2016/12/12	BDT3745H16.5P LF	
				Drawn by:	毛钰麒		
C	2016/12/12	毛钰麒		Checked by:	莫丽丽	Speaker	
Rev.	Date	Drawn	Note	Approved by:	徐金国		
BESTAR HOLDING CO.,LTD						DRG NO: BS/TES01.1075C	Page:08 of 10
www.bestargroups.com wu@be-star.com							

BDT3745H16.5P LF

5. Packing

5.1 Packing Drawing



5.2 packing quantity

- 1) 14pcs per magazine
- 2) 50pcs magazine per carton
- 3) 700pcs per bubble plastic, 700pcs per carton
- 4) carton size: 58X26X29cm

This print and information there in are proprietary to BeStar Holding Co., Ltd. and shall not be used in whole or in part without its written content

				Date:	2016/12/12	BDT3745H16.5P LF	
				Drawn by:	毛钰麒		
C	2016/12/12	毛钰麒		Checked by:	莫丽丽	Speaker	
Rev.	Date	Drawn	Note	Approved by:	徐金国		
BESTAR HOLDING CO.,LTD						DRG NO: BS/TES01.1075C	Page:09 of 10

www.bestargroups.com wu@be-star.com

