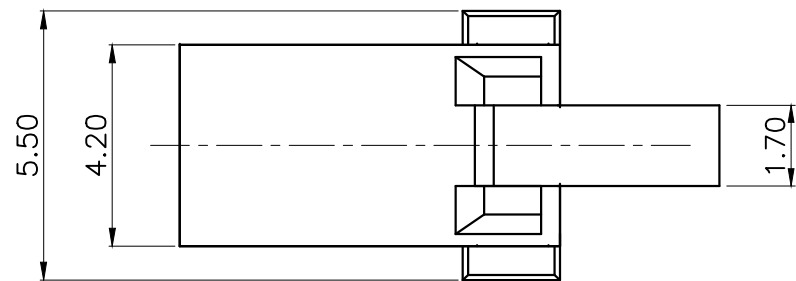
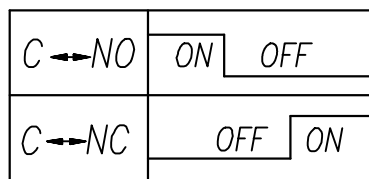


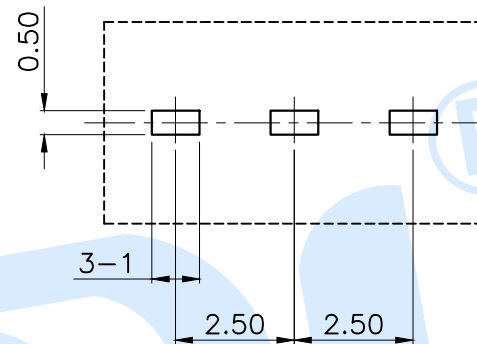
RoHS



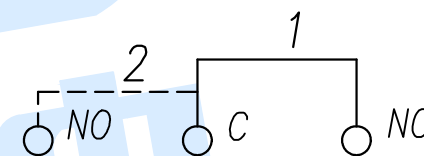
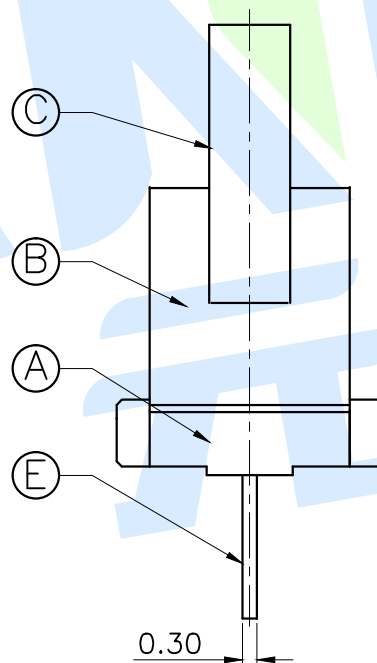
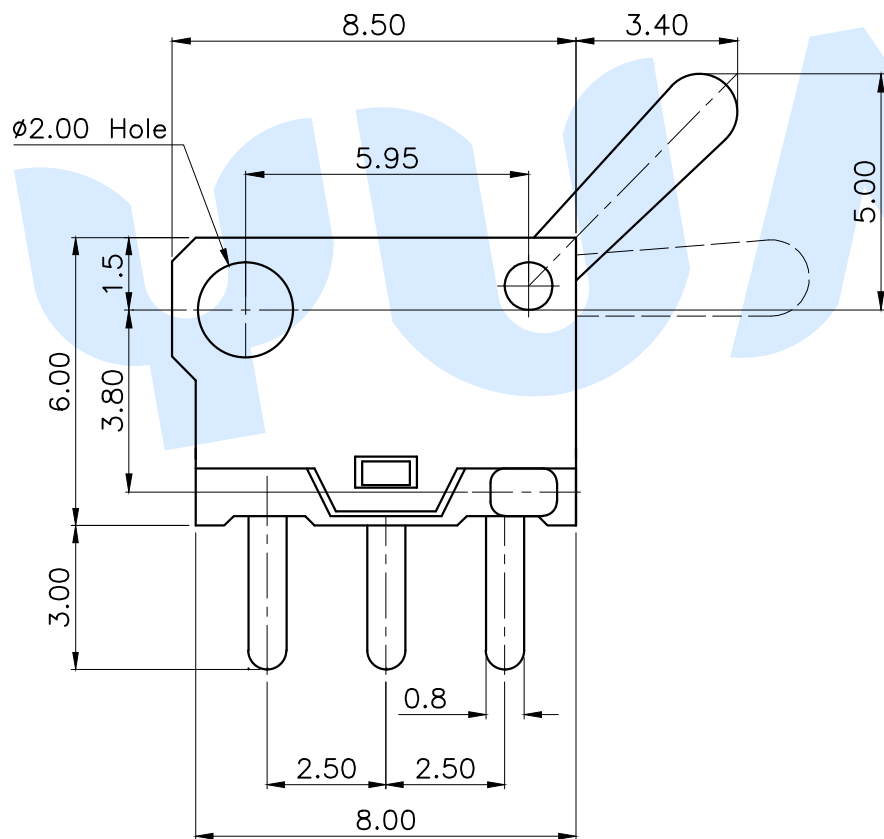
SWITCHING SEQUENCE



0 0.8 1.5 2.4
TRAVEL POSITION A



Hole Layout(top view)



Circuit Diagram

Technical Parameters

- 1. Rated current: DC 30V 0.1A
- 2. Operating force: 40±15gf
- 3. Mechanical life: 100,000 times

Ⓕ	Spring		1	SUS	Natural
Ⓖ	Terminal		3	Brass	Silvering
Ⓓ	Contact Reed		1	Phosphor bronze	Silvering
Ⓒ	Button		1	POM	Black
Ⓑ	Cover		1	Nylon	Black
Ⓐ	Base		1	Nylon	Black
NO.	Name	Number	Qty	Materil	Remarks

YUANDI® Yuandi Electronics Co, Ltd

design	date	name	DETECTION SWITCH
Review	date	model	TQ-2518
Approved	date		

Drawing number: Proportion 1:1 unit mm gage number A4

modify Review Approved Tolerance not specified