



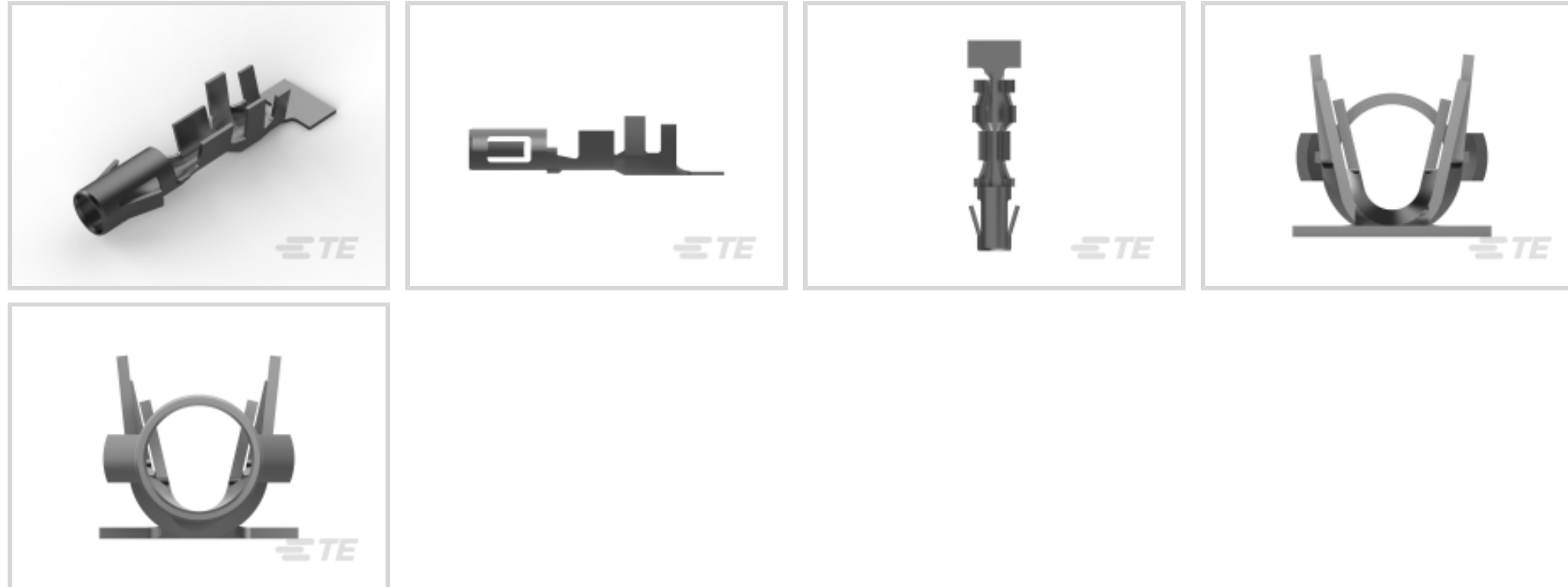
MATE-N-LOK | Commercial MATE-N-LOK

TE Internal #: 927860-2

Socket Contact, Tin, 250 VAC, Locking Lance Contact Retention, Discrete Wire, 17 – 13 AWG Wire Size, 1 – 2.5 mm² Wire Size, Commercial MATE-N-LOK

[View on TE.com >](#)

Connectors > Contacts > Connector Contacts



Contact Type: **Socket**

Contact Mating Area Plating Material: **Tin**

Wire Contact Termination Area Plating Material: **Pre-Tin**

Operating Voltage: **250 VAC**

Contact Retention Within Housing: **With**

Features

Configuration Features

Compatible With Wire & Cable Type	Discrete Wire
-----------------------------------	---------------

Electrical Characteristics

Operating Voltage	250 VAC
-------------------	---------

Contact Features

Contact Diameter	3.56 mm[.14 in]
Contact Length	20 mm[.787 in]
Contact Type	Socket
Contact Mating Area Plating Material	Tin
Wire Contact Termination Area Plating Material	Pre-Tin
Contact Retention Within Housing	With
Contact Base Material	Copper Tin
Contact Current Rating (Max)	28 A

Termination Features

Termination Method to Wire & Cable	Crimp
------------------------------------	-------



Product Terminates To	Wire & Cable
-----------------------	--------------

Mechanical Attachment

Contact Retention Type Within Housing	Locking Lance
---------------------------------------	---------------

Dimensions

Compatible Insulation Diameter Range	2.1 – 3.1 mm [.083 – .122 in]
--------------------------------------	-------------------------------

Wire Size	1 – 2.5 mm ²
-----------	-------------------------

Usage Conditions

Operating Temperature Range	-55 – 105 °C [-67 – 221 °F]
-----------------------------	-----------------------------

Packaging Features

Packaging Quantity	2500
--------------------	------

Packaging Method	Reel
------------------	------

Product Compliance

[For compliance documentation, visit the product page on TE.com>](#)

EU RoHS Directive 2011/65/EU	Compliant
------------------------------	-----------

EU ELV Directive 2000/53/EC	Compliant
-----------------------------	-----------

China RoHS 2 Directive MIIT Order No 32, 2016	No Restricted Materials Above Threshold
---	---

EU REACH Regulation (EC) No. 1907/2006	Current ECHA Candidate List: JUNE 2023 (235) Candidate List Declared Against: JUNE 2023 (235) Does not contain REACH SVHC
--	---

Halogen Content	Low Halogen - Br, Cl, F, I < 900 ppm per homogenous material. Also BFR/CFR/PVC Free
-----------------	---

Solder Process Capability	Not applicable for solder process capability
---------------------------	--

Product Compliance Disclaimer

This information is provided based on reasonable inquiry of our suppliers and represents our current actual knowledge based on the information they provided. This information is subject to change. The part numbers that TE has identified as EU RoHS compliant have a maximum concentration of 0.1% by weight in homogenous materials for lead, hexavalent chromium, mercury, PBB, PBDE, DBP, BBP, DEHP, DIBP, and 0.01% for cadmium, or qualify for an exemption to these limits as defined in the Annexes of Directive 2011/65/EU (RoHS2). Finished electrical and electronic equipment products will be CE marked as required by Directive 2011/65/EU. Components may not be CE marked. Additionally, the part numbers that TE has identified as EU ELV compliant have a maximum concentration of 0.1% by weight in homogenous materials for lead, hexavalent chromium, and mercury, and 0.01% for cadmium, or qualify for an exemption to these limits as defined in the Annexes of Directive 2000/53/EC (ELV). Regarding the REACH Regulation, the information TE provides on SVHC in articles for this part number is based on the latest European Chemicals Agency (ECHA) 'Guidance on requirements for substances in articles' posted at this URL: <https://echa.europa.eu/guidance-documents/guidance-on-reach>

Compatible Parts



TE Part # 1-480585-0
09P .140 MNL PLUG NAT



TE Part # 1-350346-0
03P .140 MNL PLUG P/M NAT



TE Part # 1-480672-0
09P .140 MNL PLUG PM NAT



TE Part # 1-350344-0
02P .140 MNL PLUG NAT



TE Part # 1-480510-0
04P .140 MNL PLUG NAT



TE Part # 539764-1
EXTRACTION TOOL



TE Part # 925451-1
M-N-L SOCKET HSG



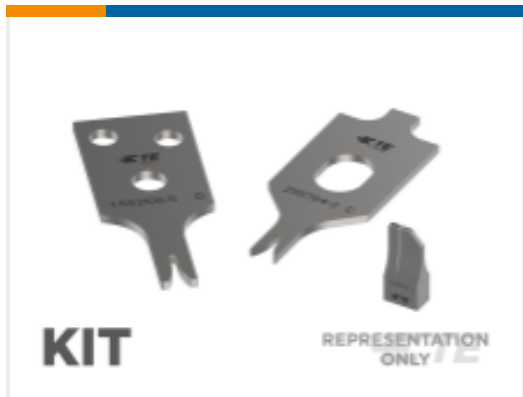
TE Part # 1-480672-9
09P .140 MNL PLUG PM BLK



TE Part # 2151383-2
OC-AT-S-FA-110F190O140OV-001-0210



TE Part # 2305570-1
Strip Terminal Cutter-Side Feed-No Crimp

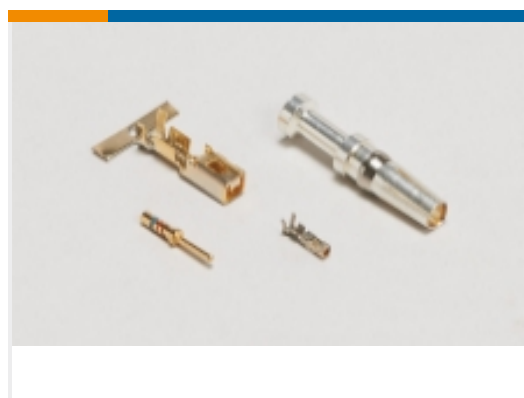


TE Part # 7-2151383-7
OC-110F190O140OV-CRIMPTOOLINGKIT

Also in the Series | Commercial MATE-N-LOK



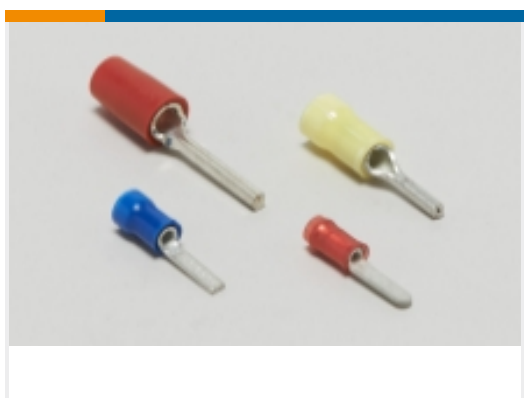
Connector Caps & Covers(2)



Connector Contacts(150)



Connector Seals & Cavity Plugs(1)



Crimp Wire Pins, Tabs & Ferrules(2)



Insertion & Extraction Tools(3)



Rectangular Connector Housings(9)



Rectangular Power Connectors(167)



Standard Circular Connectors(2)



Standard Rectangular Connectors(7)

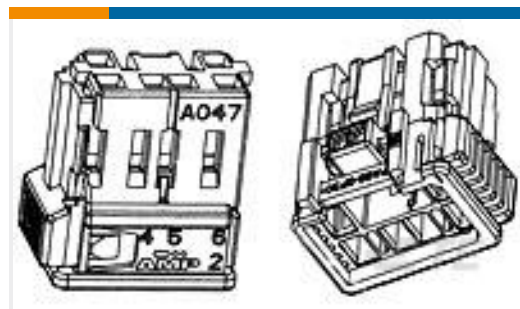
Customers Also Bought



TE Part #1011-228-0205
BKSHL, 2P, BLK, PLG, RA, NW6/7.5/8.5 /10



TE Part #6984484001
CGPT-12.7/6.4-2-FSP



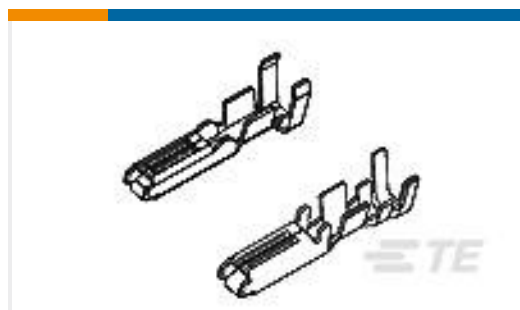
TE Part #282991-2
CONN.NEW GEN.F. TRUCK



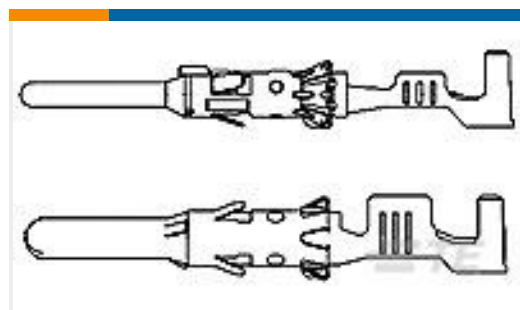
TE Part #962938-1
TIMER, RECEPTACLE AND TAB



TE Part #1718490-2
AMP MCP 1.5 RECEPT HSG 9 POS



TE Part #284166-2
.070 NEW GEN RCPT CONT (2.5MM)



TE Part #929965-1
STIFTKONTAKT 2,5MMD



TE Part #2133258-1
SUPPORT , FRAME ASSY MCP



TE Part #282167-3
POS.LOCK RCPT CONT

Documents



Product Drawings

KONTAKTBUCHSE 3,5MM

English

CAD Files

Customer View Model

[ENG_CVM_927860-2_C.3d_igs.zip](#)

English

Customer View Model

[ENG_CVM_927860-2_C.3d_stp.zip](#)

English

Customer View Model

[ENG_CVM_927860-2_C.2d_dxf.zip](#)

English

3D PDF

English

By downloading the CAD file I accept and agree to the [Terms and Conditions](#) of use.

Product Specifications

Product Specification

English