

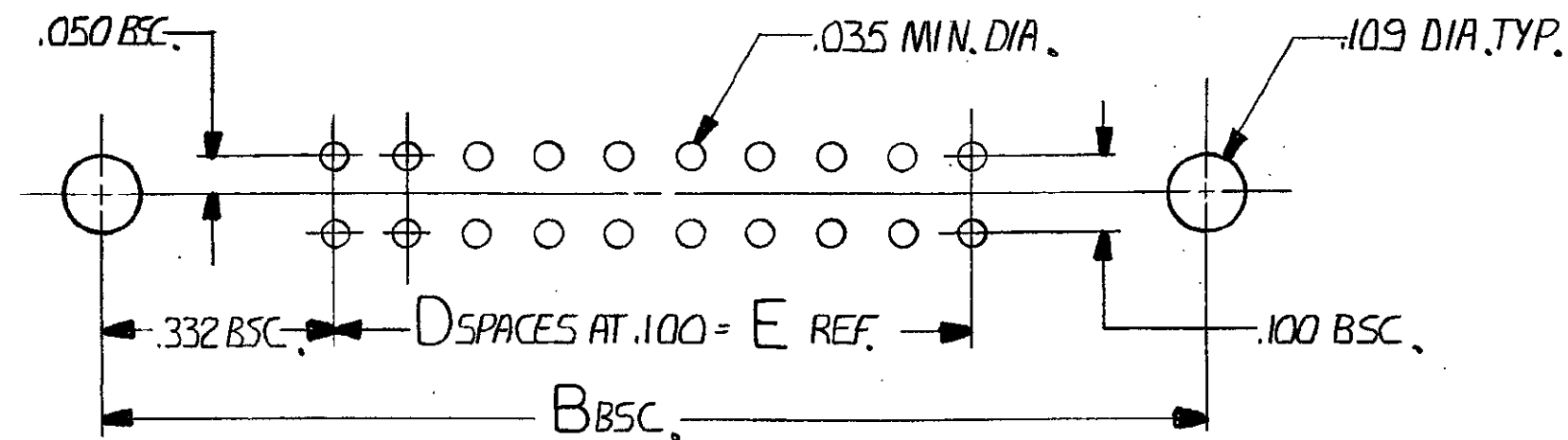


© COPYRIGHT 19 BY AMP INCORPORATED, HARRISBURG, PA.  
 ALL INTERNATIONAL RIGHTS RESERVED. AMP INCORPORATED PRODUCTS  
 COVERED BY U. S. AND FOREIGN PATENTS AND/OR PATENTS PENDING.

UNPUBLISHED COPY NOT  
 REPRODUCED NOR PUBLISHED  
 WITHOUT WRITTEN PERMISSION  
 OF AMP INCORPORATED.

REVISIONS						
P	F	ZONE	LTR	DESCRIPTION	DATE	APPROVED
				(SEE SHEET 1 OF 2)		

- 1. NUMBERS AND LINES INDICATING EVERY FIVE CAVITIES MARKED OR MOLDED ON MATING FACE.
- 2. AMP PART NUMBER DATE CODE, 00779 & MILITARY PART NUMBER MARKED OR MOLDED THIS AREA. SIDE OPTIONAL
- 3. MUST MEET ALL APPLICABLE REQUIREMENTS OF MIL-C-55302.
- 4. NUMBERS INDICATING EVERY FIVE CAVITIES MARKED OR MOLDED ON SIDE.
- 5. KEY POSITION IDENTIFICATION MOLDED ON SURFACES SHOWN.
- 6. USE EXTERNAL KEY NUMBER 530341-1 MATES WITH PART NUMBER 530339.
- 7. HOUSING MATERIAL: DIALLYL PHTHALATE COLOR: BLUE PER MIL-M-14 TYPE SDG-F.
- 8. CONTACT MATERIAL: BERYLLIUM COPPER .000050 GOLD OVER NICKEL.



RECOMMENDED PRINTED CIRCUIT BOARD LAYOUT

M55302/27-217	71	140 <sup>70</sup>	6.900	69	7.165	7.565	7.855	140	1-530779-3
M55302/27-216	68	134 <sup>67</sup>	6.600	66	6.865	7.265	7.555	134	1-530779-2
M55302/27-215	66	130 <sup>65</sup>	6.400	64	6.665	7.065	7.355	130	1-530779-1
M55302/27-214	61	120 <sup>60</sup>	5.900	59	6.165	6.565	6.855	120	1-530779-0
M55302/27-153	56	110 <sup>55</sup>	5.400	54	5.665	6.065	6.355	110	530779-9
M55302/27-152	51	100 <sup>50</sup>	4.900	49	5.165	5.565	5.855	100	-8
M55302/27-151	46	90 <sup>45</sup>	4.400	44	4.665	5.065	5.355	90	-7
M55302/27-150	41	80 <sup>40</sup>	3.900	39	4.165	4.565	4.855	80	-6
M55302/27-149	36	70 <sup>35</sup>	3.400	34	3.665	4.065	4.355	70	-5
M55302/27-148	31	60 <sup>30</sup>	2.900	29	3.165	3.565	3.855	60	-4
M55302/27-147	26	50 <sup>25</sup>	2.400	24	2.665	3.065	3.355	50	-3
M55302/27-146	21	40 <sup>20</sup>	1.900	19	2.165	2.565	2.855	40	-2
M55302/27-145	16	30 <sup>15</sup>	1.400	14	1.665	2.065	2.355	30	530779-1
M55302									
PART NUMBER	CONTACT IDENTIFICATION NO		E	D	C	B	A	NO OF CONTACTS	PART NO

UNLESS OTHERWISE SPECIFIED DIMENSIONS ARE IN INCHES. TOLERANCES ON: DECIMALS ±.005 ANGLES	CONTRACT NO	AMP INCORPORATED Harrisburg, Pa.
	DR Robert Wolber 11-15-76	
MATERIAL	CHK R. Williams 11-23-76	NAME BOX CONNECTOR RECEPTACLE ASSY .100 GRID EXTERNAL KEYING
	APPD R. Williams 11-23-76	
FINISH	APPD K. C. Myers 11-29-76	SIZE CODE IDENT NO DRAWING NO <b>C 00779 530779</b>
	DSGN APPD	
OTHER APPD	SCALE 4:1	SHEET 2 OF 2

530779