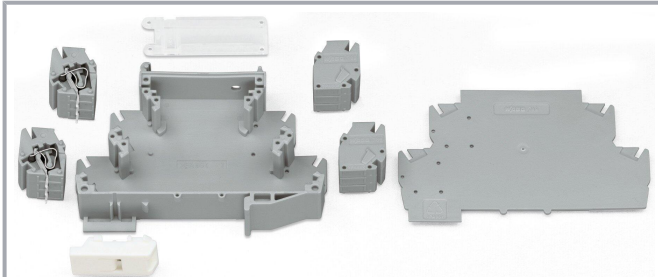


## Data sheet | Item number: 789-128

PCB terminal block; 2.5 mm<sup>2</sup>; Pin spacing 5 mm; 3-pole; CAGE CLAMP®; 2,50 mm<sup>2</sup>; gray



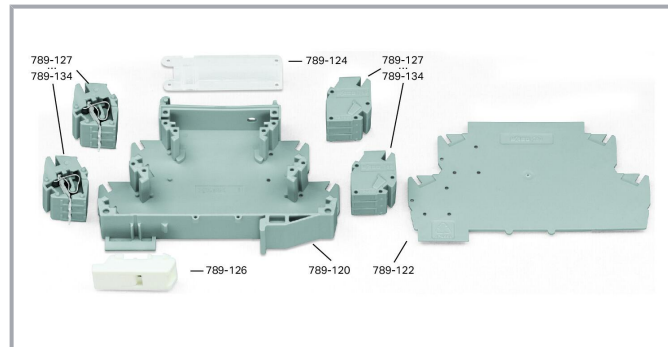
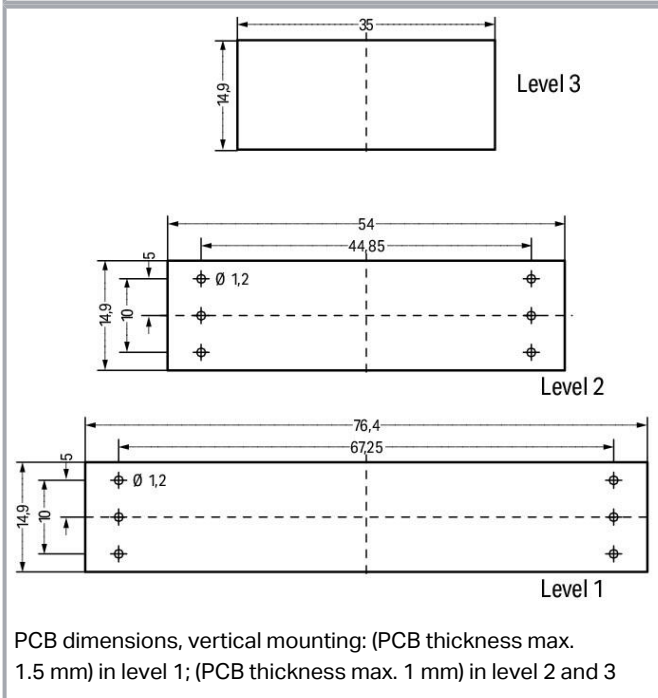
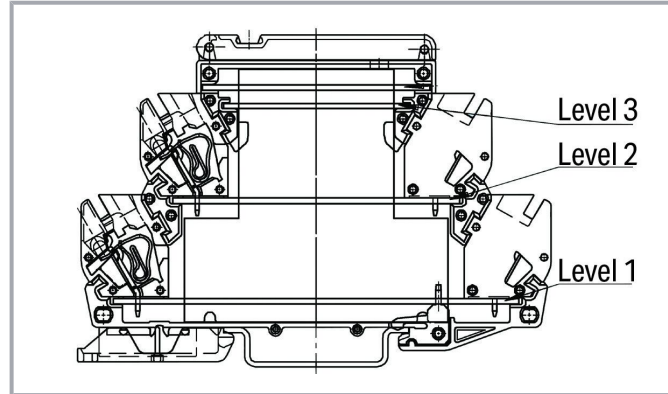
[www.wago.com/789-128](http://www.wago.com/789-128)



**i** Picture differs from the item.

Similar to picture

Color:



## Item description

Universal modular component plug housing, as rail-mount terminal block – compact terminal block, 3-pole: COC\*

(\*C = with clamping spring; O = without clamping spring; Housing open on the right side)

Subject to changes. Please also observe the further product documentation!

WAGO GmbH & Co. KG  
Hansastr. 27  
32423 Minden  
Phone: +49571 887-0 | Fax: +49571 887-169  
Email: [info.de@wago.com](mailto:info.de@wago.com) | Web: [www.wago.com](http://www.wago.com)

Do you have any questions about our products?  
We are always happy to take your call at +49 (571) 887-44222.



## Data

### Connection data

Pole number	3
Connections (number)	2

### Mechanical Data

Housing design	DIN-rail-mount enclosure
Suitable	for 789-120

### Material data

Color	gray
Insulation material	Polyamide (PA66)
Flammability class per UL94	V0
Fire load	0.067 MJ
Weight	3.5 g

### Environmental requirements

Processing temperature	-25 ... +70 °C
------------------------	----------------

### Commercial data






eCl@ss 10.0	27-18-27-02
eCl@ss 9.0	27-18-27-02
ETIM 8.0	EC001031
ETIM 7.0	EC001031
ECCN	NO DATA
PU (SPU)	100 (1) pcs
Packaging type	Box
Country of origin	DE
GTIN	4044918611749
Customs tariff number	85369010000

### Environmental Product Compliance

RoHS Compliance Status	Compliant, No Exemption
------------------------	-------------------------

Subject to changes. Please also observe the further product documentation!

## Optional accessories

Ferrule		
	<b>Item no.: 216-241</b> Ferrule; Sleeve for 0.5 mm <sup>2</sup> / 20 AWG; insulated; electro-tin plated; electrolytic copper; gastight crimped; acc. to DIN 46228, Part 4/09.90; white	<a href="http://www.wago.com/216-241">www.wago.com/216-241</a>
	<b>Item no.: 216-242</b> Ferrule; Sleeve for 0.75 mm <sup>2</sup> / 18 AWG; insulated; electro-tin plated; electrolytic copper; gastight crimped; acc. to DIN 46228, Part 4/09.90; gray	<a href="http://www.wago.com/216-242">www.wago.com/216-242</a>
	<b>Item no.: 216-243</b> Ferrule; Sleeve for 1 mm <sup>2</sup> / AWG 18; insulated; electro-tin plated; electrolytic copper; gastight crimped; acc. to DIN 46228, Part 4/09.90; red	<a href="http://www.wago.com/216-243">www.wago.com/216-243</a>
	<b>Item no.: 216-244</b> Ferrule; Sleeve for 1.5 mm <sup>2</sup> / AWG 16; insulated; electro-tin plated; electrolytic copper; gastight crimped; acc. to DIN 46228, Part 4/09.90; black	<a href="http://www.wago.com/216-244">www.wago.com/216-244</a>
System housing		
DIN-rail-mount enclosure		
	<b>Item no.: 789-120</b> Housing 55 mm; gray	<a href="http://www.wago.com/789-120">www.wago.com/789-120</a>

## Downloads

### Documentation

#### Additional Information

Disposal and Recycling Electrical and electronic equipment, Batteries, Packaging	V 1.1.0 2022 Aug 18	pdf 2.2 MB	Download
---	------------------------	---------------	----------

## CAD/CAE-Data

### CAD data

2D/3D Models 789-128	URL	Download
----------------------	-----	----------

### CAE data

WSCAD Universe 789-128	URL	Download
------------------------	-----	----------

ZUKEN Portal 789-128	URL	Download
----------------------	-----	----------

### Asset Administration Shell

Asset Administration Shell 789-128	URL	Download
------------------------------------	-----	----------

Subject to changes. Please also observe the further product documentation!



## Environmental Product Compliance

### Compliance Search

Environmental Product Compliance 789-128

URL

Download

PCB terminal block; 2.5 mm<sup>2</sup>; Pin spacing 5 mm; 3-pole; CAGE CLAMP®; 2,50 mm<sup>2</sup>;  
gray

---

## Installation Notes

Subject to changes. Please also observe the further product documentation!

---

WAGO GmbH & Co. KG

Hansastr. 27

32423 Minden

Phone: +49571 887-0 | Fax: +49571 887-169

Email: [info.de@wago.com](mailto:info.de@wago.com) | Web: [www.wago.com](http://www.wago.com)

Do you have any questions about our products?

We are always happy to take your call at +49 (571) 887-44222.