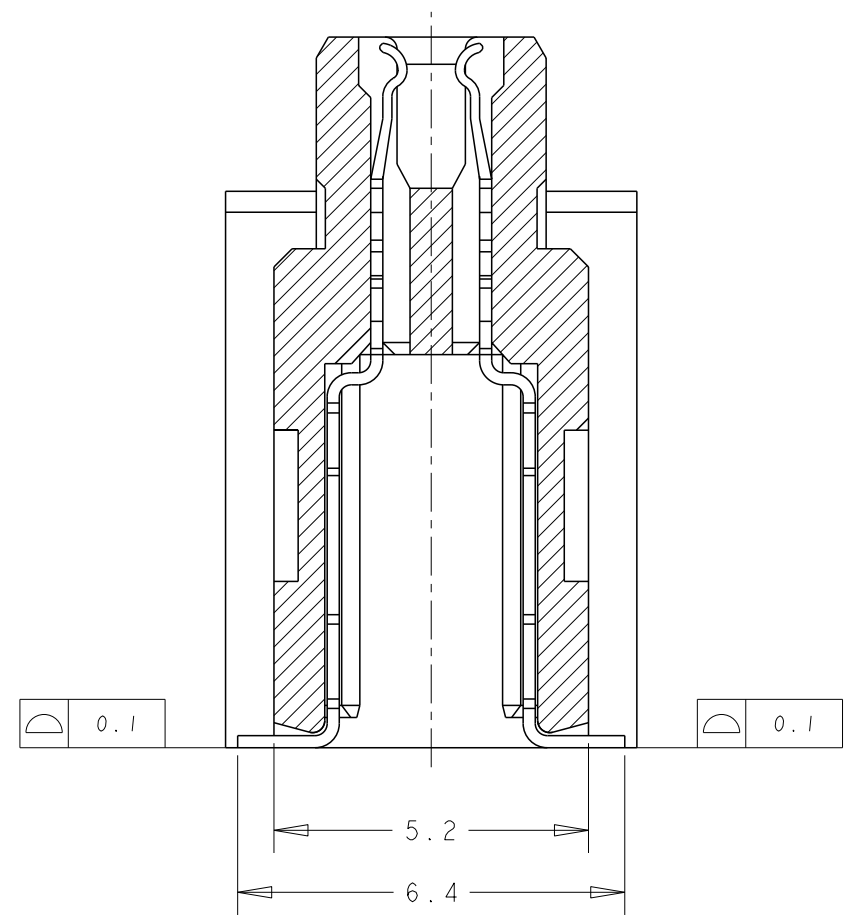
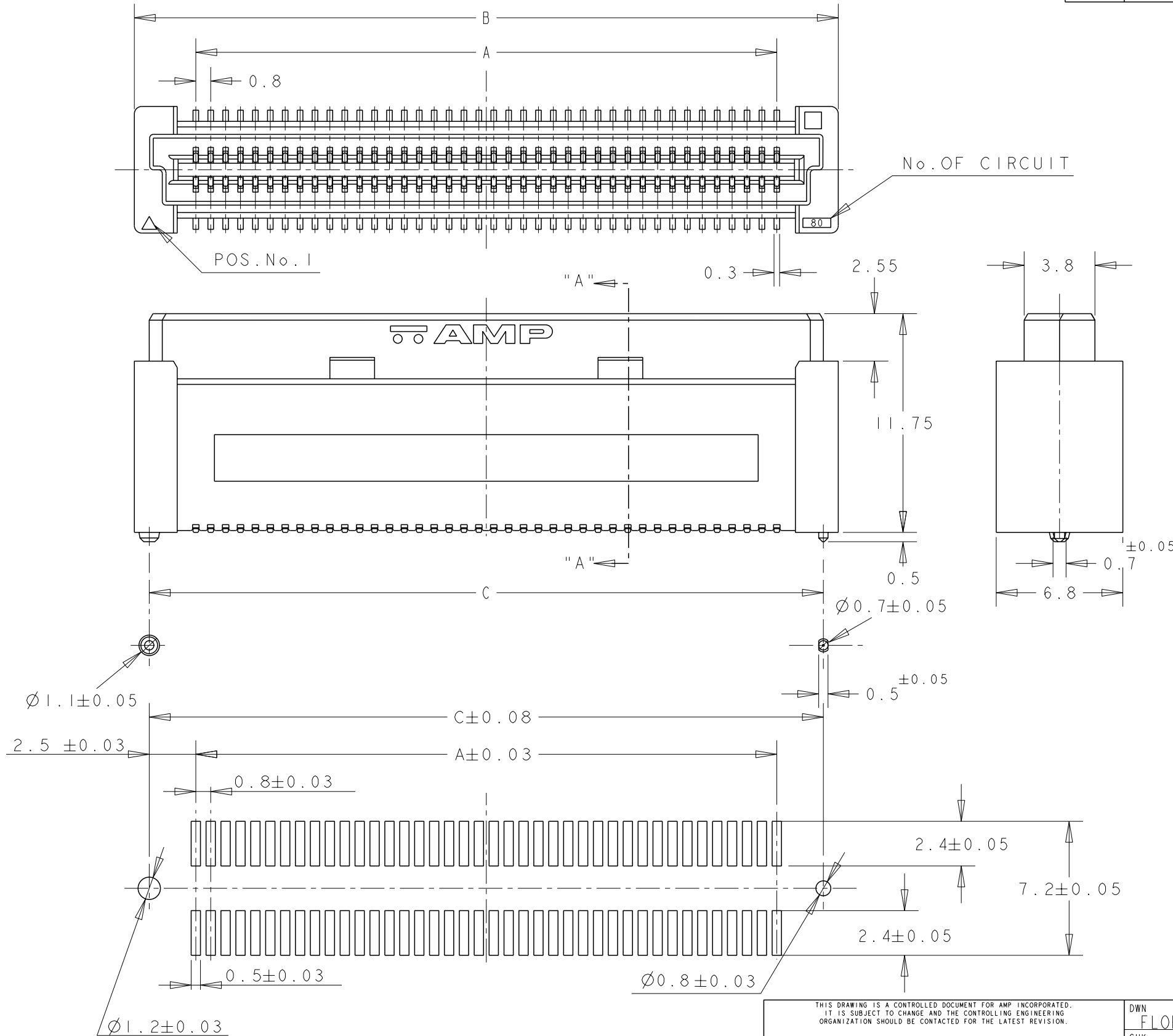


THIS DRAWING IS UNPUBLISHED. RELEASED FOR PUBLICATION .19 .
 BY AMP INCORPORATED. ALL RIGHTS RESERVED.

| | | | | |
|-----------|-----------|---------------------------|-----------|----------|
| LOC DY | DIST - | REVISIONS | | |
| P | LTR | DESCRIPTION | DATE | DWN APVD |
| | PI | REVISED PER ECR-15-002052 | 11FEB2015 | I.T W.H |

PROJ NO. 593-312



SECT "A" - "A"
(SCALE: 8-1)

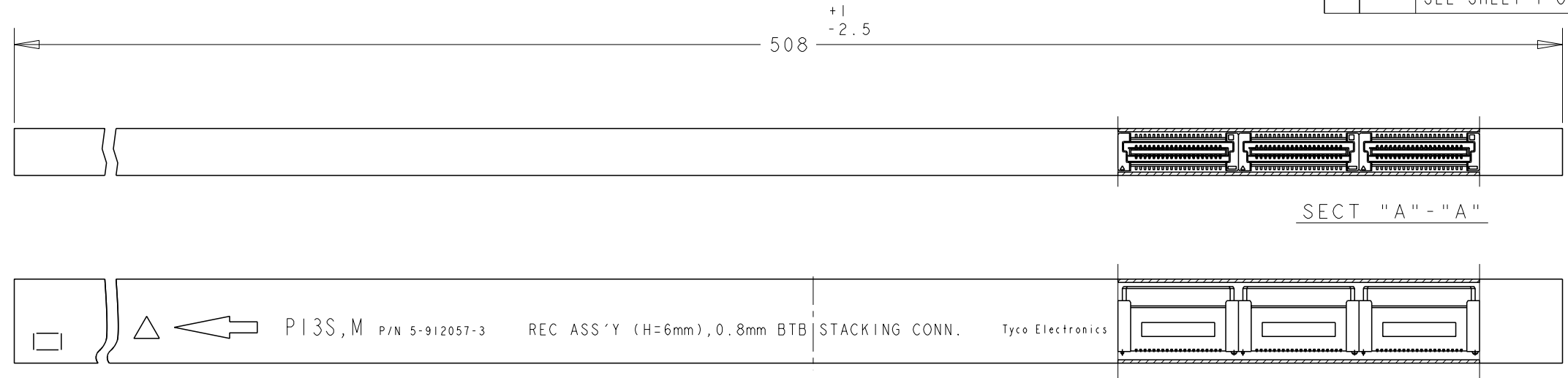
- NOTES:
- 1. MATERIALS:
HOUSING: L.C.P (HIGH TEMP THERMO-PLASTIC)
UL 94V-0, NATURAL.
CONTACT: COPPER ALLOY.
 - 2. FINISH:
ENGAGEMENT AREA: 0.0002 MIN GOLD
SOLDERING AREA: 0.0020 MIN MATTE TIN
UNDERCOAT: 0.0013 MIN NICKEL ALL OVER
 - 3. POSITION SERIES; SEE TABLE. (SHEET 2)
 - 4. CONN STACK HEIGHT COMBINE OF PLUG "Y" H VS REC "X" H.
STACK HEIGHT = Y + X - 5
 - 5. OBSOLETE PARTS: OBSOLETE CIS STREAMLINING PER D.RENAUD/D.SINISI

RECOMMENDED P.C. BOARD LAYOUT

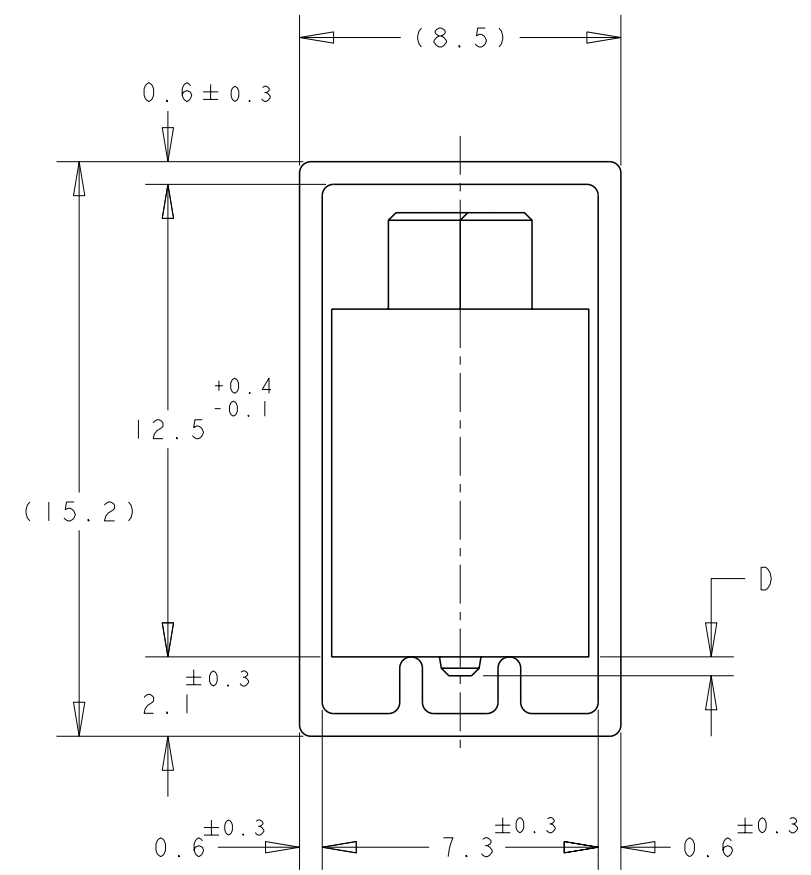
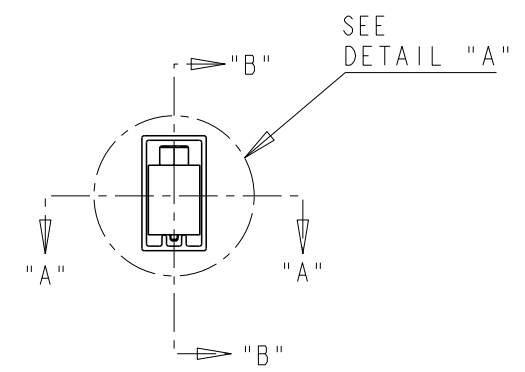
| | | | | |
|---|--------|--------------------------|------------------------------|--|
| THIS DRAWING IS A CONTROLLED DOCUMENT FOR AMP INCORPORATED. IT IS SUBJECT TO CHANGE AND THE CONTROLLING ENGINEERING ORGANIZATION SHOULD BE CONTACTED FOR THE LATEST REVISION. | | DWN FLORENCE | 16AUG04 | STE Tyco Electronics Corporation Singapore |
| DIMENSIONS: mm | | CHK ERIC TNG | APVD SE LEONG | |
| TOLERANCES UNLESS OTHERWISE SPECIFIED: 0 PLC ± 1 PLC ±0.30 2 PLC ±0.25 3 PLC ±0.20 4 PLC ± ANGLES ±3° | | PRODUCT SPEC 108-5390 | APPLICATION SPEC 114-5254 | NAME RECEPTACLE ASSEMBLY 13H TYPE FOR FH 0.8mm PITCH B-T-B CONNECTOR |
| MATERIAL | FINISH | WEIGHT | - | SIZE A3 |
| | | CUSTOMER DRAWING | | CAGE CODE 00779 |
| | | | | DRAWING NO C-5179010 |
| | | | | SCALE 4:1 SHEET 1 OF 2 REV PI |

THIS DRAWING IS UNPUBLISHED. RELEASED FOR PUBLICATION .19 .
 BY AMP INCORPORATED. ALL RIGHTS RESERVED.

| | | | | | |
|-----------|-----------|------------------|------|-----|------|
| LOC DY | DIST - | REVISIONS | | | |
| P | LTR | DESCRIPTION | DATE | DWN | APVD |
| - | - | SEE SHEET 1 OF 2 | - | - | - |



PI3S, M P/N 5-912057-3 REC ASS'Y (H=6mm), 0.8mm BTB STACKING CONN. Tyco Electronics



DETAIL "A"
(SCALE 5-1)

| | | | | | | |
|------------|-------|-------|-------|------|----------|-----------|
| | 84.20 | 85.80 | 79.20 | 200 | 6- | -0 |
| | 76.20 | 77.80 | 71.20 | 180 | 5- | -9 |
| | 68.20 | 69.80 | 63.20 | 160 | 5- | -8 |
| | 60.20 | 61.80 | 55.20 | 140 | 5- | -6 |
| | 52.20 | 53.80 | 47.20 | 120 | 5- | -5 |
| | 44.20 | 45.80 | 39.20 | 100 | 5- | -4 |
| | 36.20 | 37.80 | 31.20 | 80 | 5- | -3 |
| | 28.20 | 29.80 | 23.20 | 60 | 5- | -2 |
| 0.5 | 20.20 | 21.80 | 15.20 | 40 | 5- | -1 |
| | 84.20 | 85.80 | 79.20 | 200 | 1- | -0 |
| 5 OBSOLETE | 76.20 | 77.80 | 71.20 | 180 | | -9 |
| | 68.20 | 69.80 | 63.20 | 160 | | -8 |
| | 60.20 | 61.80 | 55.20 | 140 | | -6 |
| | 52.20 | 53.80 | 47.20 | 120 | | -5 |
| | 44.20 | 45.80 | 39.20 | 100 | | -4 |
| | 36.20 | 37.80 | 31.20 | 80 | | -3 |
| | 28.20 | 29.80 | 23.20 | 60 | | -2 |
| 0.8 | 20.20 | 21.80 | 15.20 | 40 | | 5179010-1 |
| D | C | B | A | POS. | PART No. | |

| | | | |
|---|--|--------------------------------|--|
| THIS DRAWING IS A CONTROLLED DOCUMENT FOR AMP INCORPORATED. IT IS SUBJECT TO CHANGE AND THE CONTROLLING ENGINEERING ORGANIZATION SHOULD BE CONTACTED FOR THE LATEST REVISION. | | DWN FLORENCE TAN 16AUG04 | STE Tyco Electronics Corporation Singapore |
| DIMENSIONS: mm | | CHK ERIC TNG | |
| TOLERANCES UNLESS OTHERWISE SPECIFIED: 0 PLC ±- 1 PLC ±0.30 2 PLC ±0.25 3 PLC ±0.20 4 PLC ±- ANGLES ±3° | | APVD SE LEONG | NAME RECEPTACLE ASSEMBLY 13H TYPE FOR FH 0.8mm PITCH B-T-B CONNECTOR |
| MATERIAL | | PRODUCT SPEC 108-5390 | |
| FINISH | | APPLICATION SPEC 114-5254 | SIZE A3 |
| | | WEIGHT - | CAGE CODE 00779 |
| | | CUSTOMER DRAWING | DRAWING NO C-5179010 |
| | | | SCALE 4:1 SHEET 2 OF 2 REV PI |