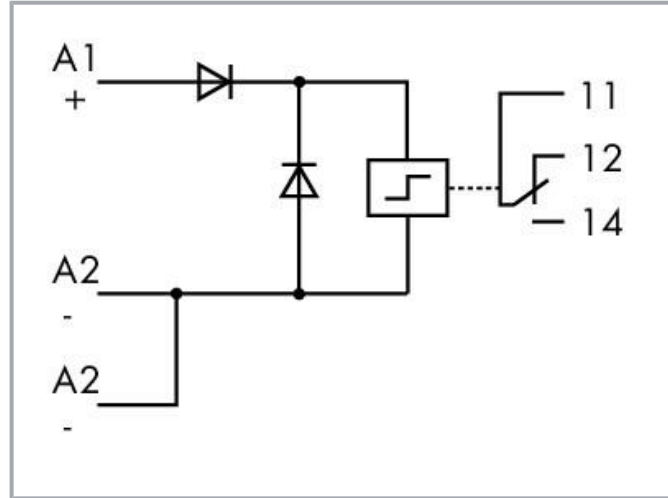
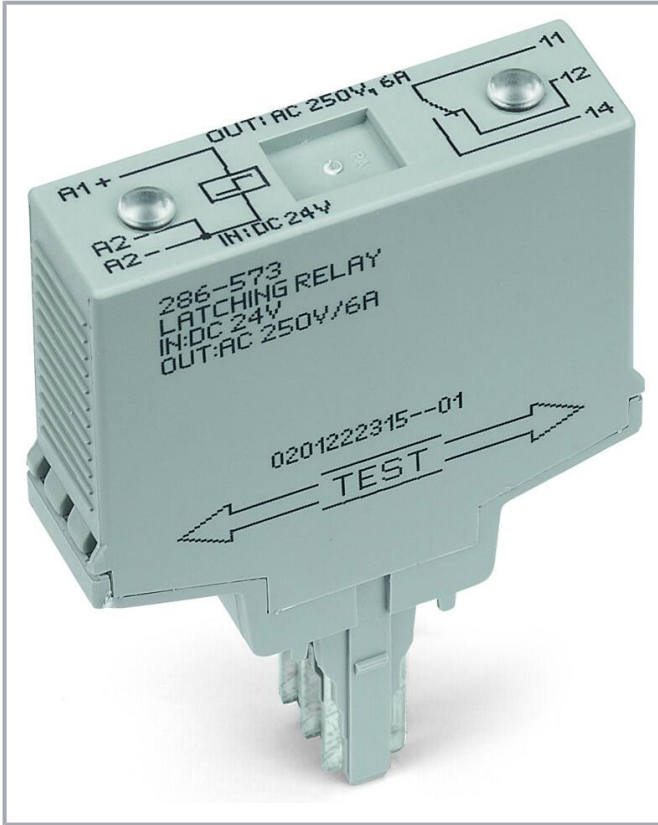


Data sheet | Item number: 286-573

Latching relay module; Nominal input voltage: 24 VDC; 1 changeover contact; Limiting continuous current: 6 A; Red status indicator; Module width: 15 mm



www.wago.com/286-573



Subject to changes. Please also observe the further product documentation!

WAGO GmbH & Co. KG
Hansastr. 27
32423 Minden
Phone: +49571 887-0 | Fax: +49571 887-169
Email: info.de@wago.com | Web: www.wago.com

Do you have any questions about our products?
We are always happy to take your call at +49 (571) 887-44222.



Data

Technical data

Control circuit

Nominal input voltage U_N	DC 24 V
Input voltage range	-15 ... +10 %
Nominal input current at U_N	40 mA

Load circuit

Number of changeover/switchover contacts	1
Contact material (relay)	AgSnO ₂
Limiting continuous current	6 A
Inrush current (resistive) max.	(AC) 50 A / 0.02 s
Switching voltage (max.)	AC 250 V
Switching power (resistive) max.	AC 1500 VA
Recommended minimum load	10 V / 10 mA
Mechanical life	10 x 10 ⁶ switching operations

Safety and protection

Rated voltage	250 V
Rated surge voltage	4 kV
Pollution degree	2
Dielectric strength (control/load circuit) (AC, 1 min)	4 kVrms
Dielectric strength (open contact) (AC, 1 min)	1.5 kVrms
Protection type	IP20

Physical data

Width	15 mm / 0.591 inches
Height from upper-edge of DIN-rail	82.5 mm / 3.248 inches
Depth	52 mm / 2.047 inches

Mechanical data

Mounting type	Pluggable module for receptacle terminal blocks
---------------	---

Subject to changes. Please also observe the further product documentation!

Material data

Fire load	0.346 MJ
Weight	29 g

Environmental requirements

Ambient temperature (operation at U_N)	-25 ... +50 °C
Ambient temperature (storage)	-40 ... +70 °C
Processing temperature	
Relative humidity	5 ... 95 % (no condensation permissible)
Operating altitude (max.)	2000 m

Standards and specifications

Standards/specifications	EN 60664-1
--------------------------	------------

Commercial data

Product Group	6 (INTERFACE ELECTRONIC)
eCl@ss 10.0	27-14-23-06
eCl@ss 9.0	27-14-23-06
ETIM 8.0	EC000188
ETIM 7.0	EC000188
ECCN	NO DATA
PU (SPU)	15 (1) pcs
Packaging type	box
Country of origin	DE
GTIN	4050821485285
Customs tariff number	85364900990

Environmental Product Compliance


CAS-No.	7439-92-1 79-94-7
REACH Candidate List Substance	2,2',6,6'-tetrabromo-4,4'-isopropylidenediphenol Lead
RoHS Compliance Status	Compliant,With Exemption
RoHS Exemption	7(a) 7(c)-I

Subject to changes. Please also observe the further product documentation!

SCIP notification number (Austria)	183bf090-14cc-4ead-ba34-befcac1003bc
SCIP notification number (Belgium)	14616ec9-9ab6-4bae-902e-be0355e83757
SCIP notification number (Bulgaria)	de306938-f68b-4c94-ab8c-240284634b5c
SCIP notification number (Czech Republic)	efb75062-b425-4717-aa29-6fb9c0cc29f9
SCIP notification number (Denmark)	0aa28ef7-cc1b-482d-81e8-db810da4ca0e
SCIP notification number (Finland)	266009e6-0bac-471b-8013-686b66f54fe4
SCIP notification number (France)	8fc707a5-6e55-4452-85e8-00b6debabd21
SCIP notification number (Germany)	97faa323-2362-46eb-924a-0aadf13cdcb3
SCIP notification number (Hungary)	cba76da7-3d6a-4c57-ac0f-2328464007dc
SCIP notification number (Italy)	aaddc9c4-ae35-425b-80f5-cc05dad4a0cf
SCIP notification number (Netherlands)	6a0e7fe3-5d87-4a32-a616-484b88b89d42
SCIP notification number (Poland)	731152c6-ea40-4ce3-a890-473b32f18d24
SCIP notification number (Romania)	d1f7d9ba-72cb-488d-a975-e734e42fab5e
SCIP notification number (Sweden)	bab4f634-a0fe-4b21-a533-d29674539eda

Approvals / Certificates

General approvals

Logo	Approval	Additional Approval Text	Certificate name
	EAC Brjansker Zertifizierungsstelle	TP TC 004/2011	EAC RU C-DE.AM02. B.00122 /19

Optional accessories

Marking accessories

Marker



Item no.: 209-701

WSB marking card; as card; not stretchable; plain; snap-on type; white

www.wago.com/209-701

Terminal blocks

Terminal block for pluggable modules



Item no.: 280-619

Terminal block for pluggable modules; 6-pole; with 2-conductor terminal blocks; with orange separator; www.wago.com/280-619 for DIN-rail 35 x 15 and 35 x 7.5; 2.5 mm²; CAGE CLAMP®; 2,50 mm²; gray



Item no.: 280-609

Terminal block for pluggable modules; 6-pole; with 4-conductor terminal blocks; with orange separator; www.wago.com/280-609 for DIN-rail 35 x 15 and 35 x 7.5; 2.5 mm²; CAGE CLAMP®; 2,50 mm²; gray

Item no.: 280-763

Subject to changes. Please also observe the further product documentation!

WAGO GmbH & Co. KG

Hansastr. 27

32423 Minden

Phone: +49571 887-0 | Fax: +49571 887-169

Email: info.de@wago.com | Web: www.wago.com

Do you have any questions about our products?

We are always happy to take your call at +49 (571) 887-44222.



Terminal block for pluggable modules; 6-pole; with 4-conductor terminal blocks; with marker carrier; with orange separator; for DIN-rail 35 x 15 and 35 x 7.5; 2.5 mm²; CAGE CLAMP®; 2,50 mm²; gray

www.wago.com/280-763

Downloads

Documentation

Bid Text

286-573 X81 - Datei	2019 Feb 19	xml 3.8 kB	Download
------------------------	-------------	---------------	----------

286-573 doc - Datei	2015 Mar 26	doc 27.1 kB	Download
------------------------	-------------	----------------	----------

Instruction Leaflet

		pdf 1.3 MB	Download
--	--	---------------	----------

Additional Information

Disposal and Recycling Electrical and electronic equipment, Batteries, Packaging	V 1.1.0 2022 Aug 18	pdf 2.2 MB	Download
---	------------------------	---------------	----------

CAD/CAE-Data

CAE data

EPLAN Data Portal 286-573		URL	Download
---------------------------	--	-----	----------

WSCAD Universe 286-573		URL	Download
------------------------	--	-----	----------

Environmental Product Compliance

Compliance Search

Environmental Product Compliance 286-573		URL	Download
--	--	-----	----------

Latching relay module; Nominal input voltage: 24 VDC; 1 changeover contact; Limiting continuous current: 6 A; Red status indicator; Module width: 15 mm

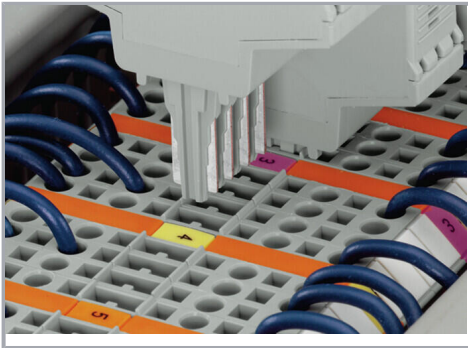
Installation Notes

Installation

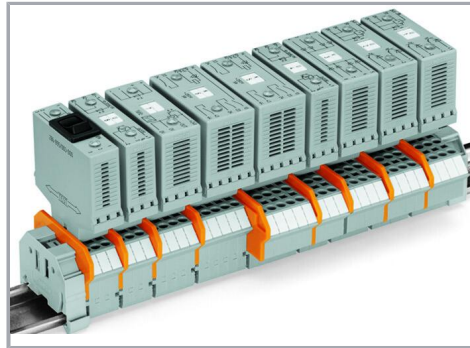
Subject to changes. Please also observe the further product documentation!

WAGO GmbH & Co. KG
Hansastr. 27
32423 Minden
Phone: +49571 887-0 | Fax: +49571 887-169
Email: info.de@wago.com | Web: www.wago.com

Do you have any questions about our products?
We are always happy to take your call at +49 (571) 887-44222.



Coding ensures correct polarity.



Pluggable electronic modules on 2- or 4-conductor carrier terminal blocks

Marking



Marking via WMB Multi Marking System.

Testing



Function testing via touch-proof test slots

Subject to changes. Please also observe the further product documentation!