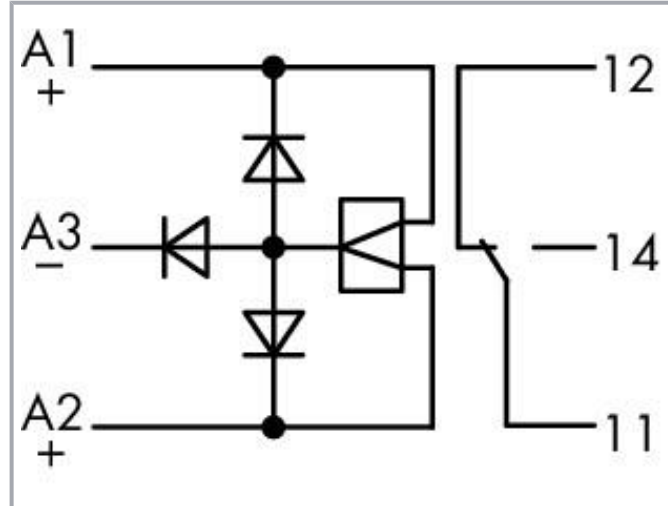


**Data sheet | Item number: 286-380**

Bistable relay module; Nominal input voltage: 24 VDC; 1 changeover contact;  
Limiting continuous current: 6 A; Red status indicator; Module width: 15 mm;  
gray



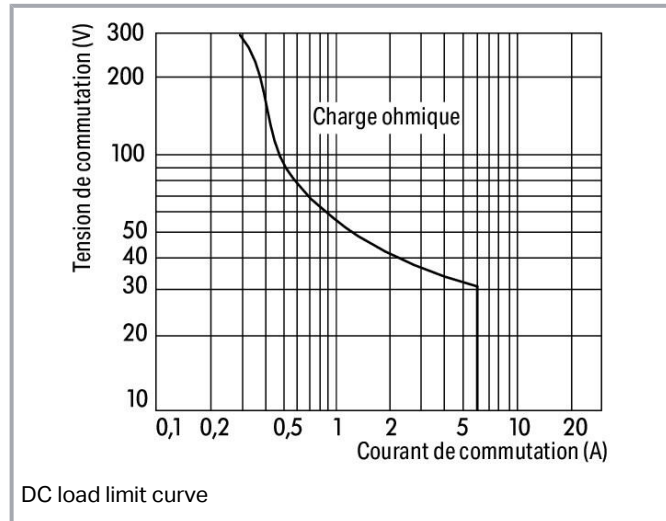
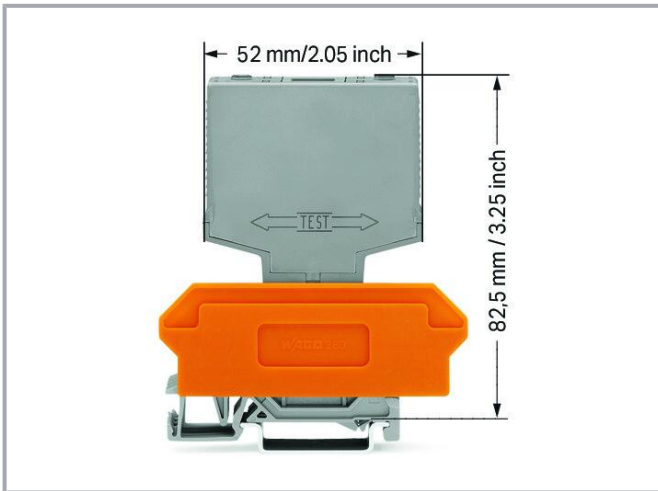
[www.wago.com/286-380](http://www.wago.com/286-380)



Subject to changes. Please also observe the further product documentation!

WAGO GmbH & Co. KG  
Hansastr. 27  
32423 Minden  
Phone: +49571 887-0 | Fax: +49571 887-169  
Email: [info.de@wago.com](mailto:info.de@wago.com) | Web: [www.wago.com](http://www.wago.com)

Do you have any questions about our products?  
We are always happy to take your call at +49 (571) 887-44222.



## Data

### Technical data

### Control circuit

Nominal input voltage $U_N$	DC 24 V
Input voltage range	$\pm 10\%$
Nominal input current at $U_N$	51 mA
Functions	Set (closed 11-14 contacts): A2 Reset (closed 11-12 contacts): A1

### Load circuit

Number of changeover/switchover contacts	1
Contact material (relay)	AgNi 90/10
Limiting continuous current	6 A
Inrush current (resistive) max.	(AC) 30 A / 4 s
Switching voltage (max.)	AC 250 V
Switching power (resistive) max.	AC 1500 VA
Pull-in time (typ.)	10 ms
Drop-out time (typ.)	10 ms
Bounce time (typ.)	6 ms
Electrical life (NO; resistive load; 23 °C)	$10 \times 10^3$ switching operations

Subject to changes. Please also observe the further product documentation!

## Safety and protection

Rated voltage	300 V
Overvoltage category	II
Pollution degree	2
Dielectric strength (control/load circuit) (AC, 1 min)	4 kVrms
Dielectric strength (open contact) (AC, 1 min)	1 kVrms
Insulation type (control/load circuit)	Reinforced insulation (safe isolation)
Insulation type (adjacent devices)	Reinforced insulation (safe isolation)
Protection type	IP20

## Physical data

Width	15 mm / 0.591 inches
Height from upper-edge of DIN-rail	82.5 mm / 3.248 inches
Depth	52 mm / 2.047 inches

## Mechanical data

Mounting type	Pluggable module for receptacle terminal blocks
---------------	---

## Material data

Color	gray
Fire load	0.346 MJ
Weight	35 g

## Environmental requirements

Ambient temperature (operation at $U_N$ )	-25 ... +40 °C
Ambient temperature (storage)	-25 ... +70 °C
Processing temperature	-25 ... +50 °C
Relative humidity	5 ... 75 % (no condensation permissible)
Operating altitude (max.)	2000 m

## Standards and specifications

Standards/specifications	EN 61010-2-201
--------------------------	----------------

Subject to changes. Please also observe the further product documentation!



## Commercial data

Product Group	6 (INTERFACE ELECTRONIC)
eCl@ss 10.0	27-37-16-01
eCl@ss 9.0	27-37-16-01
ETIM 8.0	EC001437
ETIM 7.0	EC001437
ECCN	NO DATA
PU (SPU)	15 (1) pcs
Packaging type	box
Country of origin	DE
GTIN	4045454198008
Customs tariff number	85364900990

## Environmental Product Compliance

CAS-No.	7439-92-1 79-94-7
REACH Candidate List Substance	2,2',6,6'-tetrabromo-4,4'-isopropylidenediphenol Lead
RoHS Compliance Status	Compliant,With Exemption
RoHS Exemption	7(a) 7(c)-I
SCIP notification number (Austria)	e2b3ec28-6a39-466b-a13e-101932c80bb3
SCIP notification number (Belgium)	c6bb65ca-6c2b-4a1a-b026-9cd9a7e06461
SCIP notification number (Bulgaria)	4577da70-f3e6-4b23-87eb-05415430973b
SCIP notification number (Czech Republic)	f3e40715-dfc1-412b-8162-80afb9d3baf2
SCIP notification number (Denmark)	099826cb-f54d-4676-a9eb-adcf4e2168c3
SCIP notification number (Finland)	f6894602-5656-4fc2-b530-47afa6862403
SCIP notification number (France)	453bc606-2fe8-4ee2-8485-2240a7664784
SCIP notification number (Germany)	c13bccd7-fb2b-44fd-93c0-fbbde2d4dbe8
SCIP notification number (Hungary)	1926ff97-606b-451d-9af8-bbd374232e8f
SCIP notification number (Italy)	cd1e4c7f-92d8-418f-8416-af1411abd031
SCIP notification number (Netherlands)	62788101-5cdf-4e79-8e0f-b9c408a023be
SCIP notification number (Poland)	f328ad45-051c-40e5-9e94-5ebd1a7825f5
SCIP notification number (Romania)	c75e1d7e-39c0-4174-8725-5b032cfef1fe
SCIP notification number (Sweden)	3398e642-7628-41e4-8ad4-ca192cf90e5e


## Approvals / Certificates

Subject to changes. Please also observe the further product documentation!



WAGO GmbH & Co. KG  
 Hansastr. 27  
 32423 Minden  
 Phone: +49571 887-0 | Fax: +49571 887-169  
 Email: [info.de@wago.com](mailto:info.de@wago.com) | Web: [www.wago.com](http://www.wago.com)

Do you have any questions about our products?  
 We are always happy to take your call at +49 (571) 887-44222.

## General approvals


Logo	Approval	Additional Approval Text	Certificate name
	EAC Brjansker Zertifizierungsstelle	TP TC 004/2011	EAC RU C-DE.AM02.B.00122/19

## Declarations of conformity and manufacturer's declarations




Logo	Approval	Additional Approval Text	Certificate name
	EU-Declaration of Conformity WAGO GmbH & Co. KG	-	-
	UK-Declaration of Conformity WAGO GmbH & Co. KG	-	-

## Optional accessories

## Marking accessories

Marker		
	Item no.: 209-701 WSB marking card; as card; not stretchable; plain; snap-on type; white	<a href="http://www.wago.com/209-701">www.wago.com/209-701</a>

## Terminal blocks

Terminal block for pluggable modules		
	Item no.: 280-619 Terminal block for pluggable modules; 6-pole; with 2-conductor terminal blocks; with orange separator; <a href="http://www.wago.com/280-619">www.wago.com/280-619</a> for DIN-rail 35 x 15 and 35 x 7.5; 2.5 mm <sup>2</sup> ; CAGE CLAMP®; 2,50 mm <sup>2</sup> ; gray	
	Item no.: 280-609 Terminal block for pluggable modules; 6-pole; with 4-conductor terminal blocks; with orange separator; <a href="http://www.wago.com/280-609">www.wago.com/280-609</a> for DIN-rail 35 x 15 and 35 x 7.5; 2.5 mm <sup>2</sup> ; CAGE CLAMP®; 2,50 mm <sup>2</sup> ; gray	
	Item no.: 280-763 Terminal block for pluggable modules; 6-pole; with 4-conductor terminal blocks; with marker carrier; <a href="http://www.wago.com/280-763">www.wago.com/280-763</a> with orange separator; for DIN-rail 35 x 15 and 35 x 7.5; 2.5 mm <sup>2</sup> ; CAGE CLAMP®; 2,50 mm <sup>2</sup> ; gray	

## Downloads

## Documentation

## Bid Text

Subject to changes. Please also observe the further product documentation!

WAGO GmbH & Co. KG  
Hansastr. 27  
32423 Minden  
Phone: +49571 887-0 | Fax: +49571 887-169  
Email: [info.de@wago.com](mailto:info.de@wago.com) | Web: [www.wago.com](http://www.wago.com)

Do you have any questions about our products?  
We are always happy to take your call at +49 (571) 887-44222.



286-380 X81 - Datei	2019 Feb 19	xml 3.8 kB	Download
286-380 doc - Datei	2018 Mar 22	doc 27.1 kB	Download
<b>Instruction Leaflet</b>		pdf 1.3 MB	Download
<b>Additional Information</b>			
Disposal and Recycling Electrical and electronic equipment, Batteries, Packaging	V 1.1.0 2022 Aug 18	pdf 2.2 MB	Download
<b>CAD/CAE-Data</b>			
<b>CAE data</b>			
WSCAD Universe 286-380		URL	Download

## Environmental Product Compliance

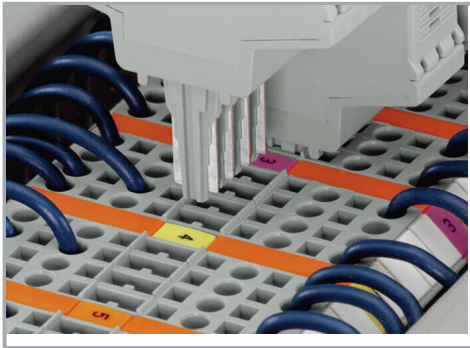
### Compliance Search

Environmental Product Compliance 286-380 Bistable relay module; Nominal input voltage: 24 VDC; 1 changeover contact; Limiting continuous current: 6 A; Red status indicator; Module width: 15 mm; gray	URL	Download
---	-----	----------

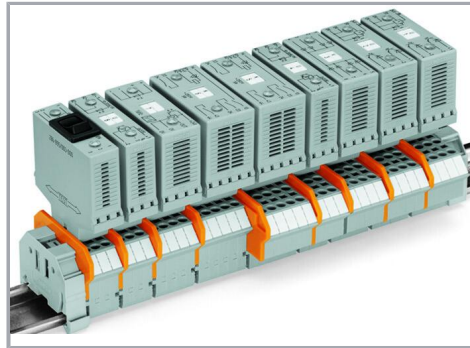
## Installation Notes

### Installation

Subject to changes. Please also observe the further product documentation!



Coding ensures correct polarity.



Pluggable electronic modules on 2- or 4-conductor carrier terminal blocks

### Marking



Marking via WMB Multi Marking System.

### Testing



Function testing via touch-proof test slots

Subject to changes. Please also observe the further product documentation!