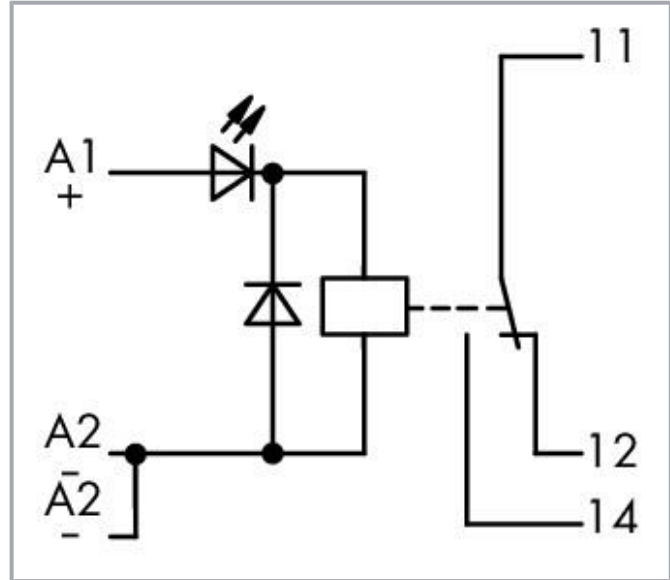


Data sheet | Item number: 286-307/004-000

Relay module; Nominal input voltage: 110 VDC; 1 changeover contact;
Limiting continuous current: 3 A; Railway; Red status indicator; Module width:
15 mm; gray



www.wago.com/286-307/004-000



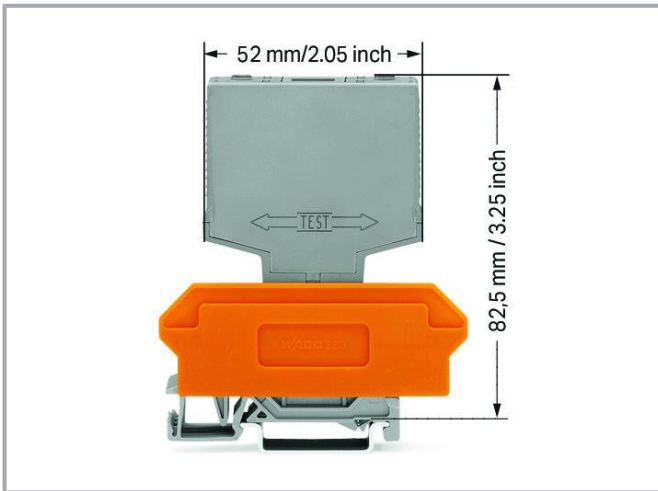
i Picture differs from the item.

Color: ■

Subject to changes. Please also observe the further product documentation!

WAGO GmbH & Co. KG
Hansastr. 27
32423 Minden
Phone: +49571 887-0 | Fax: +49571 887-169
Email: info.de@wago.com | Web: www.wago.com

Do you have any questions about our products?
We are always happy to take your call at +49 (571) 887-44222.



Data

Technical data

Control circuit

| | |
|--------------------------------|---------------|
| Nominal input voltage U_N | DC 110 V |
| Input voltage range | -30 ... +25 % |
| Nominal input current at U_N | 4 mA |

Load circuit

| | |
|--|-----------|
| Number of changeover/switchover contacts | 1 |
| Contact material (relay) | AgNi 0.15 |
| Limiting continuous current | 3 A |
| Switching voltage (max.) | AC 250 V |
| Switching power (resistive) max. | AC 750 VA |
| Pull-in time (typ.) | 8 ms |
| Drop-out time (typ.) | 6 ms |
| Bounce time (typ.) | 4 ms |

Signaling

| | |
|------------------|---------|
| Status indicator | Red LED |
|------------------|---------|

Subject to changes. Please also observe the further product documentation!



Safety and protection

| | |
|--|--|
| Rated voltage | 300 V |
| Overvoltage category | II |
| Pollution degree | 2 |
| Dielectric strength (control/load circuit) (AC, 1 min) | 3 kVrms |
| Dielectric strength (open contact) (AC, 1 min) | 1 kVrms |
| Insulation type (control/load circuit) | Reinforced insulation (safe isolation) |
| Insulation type (adjacent devices) | Reinforced insulation (safe isolation) |
| Protection type | IP20 |

Physical data

| | |
|------------------------------------|------------------------|
| Width | 15 mm / 0.591 inches |
| Height from upper-edge of DIN-rail | 82.5 mm / 3.248 inches |
| Depth | 52 mm / 2.047 inches |

Mechanical data

| | |
|---------------|---|
| Mounting type | Pluggable module for receptacle terminal blocks |
|---------------|---|

Material data

| | |
|-----------|----------|
| Color | gray |
| Fire load | 0.345 MJ |
| Weight | 23.1 g |

Environmental requirements

| | |
|---|--|
| Ambient temperature (operation at U_N) | -25 ... +70 °C |
| Ambient temperature (storage) | -25 ... +70 °C |
| Processing temperature | -25 ... +50 °C |
| Relative humidity | 5 ... 85 % (no condensation permissible) |
| Operating altitude (max.) | 2000 m |

Standards and specifications

| | |
|--------------------------|----------------|
| Standards/specifications | EN 61010-2-201 |
|--------------------------|----------------|

Subject to changes. Please also observe the further product documentation!

WAGO GmbH & Co. KG
 Hansastr. 27
 32423 Minden
 Phone: +49571 887-0 | Fax: +49571 887-169
 Email: info.de@wago.com | Web: www.wago.com

Do you have any questions about our products?
 We are always happy to take your call at +49 (571) 887-44222.

**Commercial data**

| | |
|-----------------------|--------------------------|
| Product Group | 6 (INTERFACE ELECTRONIC) |
| eCl@ss 10.0 | 27-37-16-01 |
| eCl@ss 9.0 | 27-37-16-01 |
| ETIM 8.0 | EC001437 |
| ETIM 7.0 | EC001437 |
| ECCN | NO DATA |
| PU (SPU) | 15 (1) pcs |
| Packaging type | box |
| Country of origin | DE |
| GTIN | 4045454709105 |
| Customs tariff number | 85364900990 |

Environmental Product Compliance

| | |
|---|--|
| CAS-No. | 7439-92-1 79-94-7 |
| REACH Candidate List Substance | 2,2',6,6'-tetrabromo-4,4'-isopropylidenediphenol Lead |
| RoHS Compliance Status | Compliant,With Exemption |
| RoHS Exemption | 7(a) 7(c)-I |
| SCIP notification number (Austria) | 81828017-49df-4293-a656-88ad43efb054 |
| SCIP notification number (Belgium) | 5ddc4fe6-0673-499a-8e00-c8dfe3e61a8d |
| SCIP notification number (Bulgaria) | 08b6913c-7e63-49aa-868c-5905e8b4cd05 |
| SCIP notification number (Czech Republic) | 6fc70c82-1fab-4a89-8148-b9a659039b3a |
| SCIP notification number (Denmark) | af3d9c6f-763c-4fb5-8461-e5edef4dae6d |
| SCIP notification number (Finland) | 910b84da-0a64-4266-a73b-82f0562b16e7 |
| SCIP notification number (France) | 8e409d76-c604-4f79-8e66-0310246cb279 |
| SCIP notification number (Germany) | 006dad3-90a1-45d5-b130-4c5dc5632ff3 |
| SCIP notification number (Hungary) | 7c1acc02-2e72-4027-bf12-0cafff02106e |
| SCIP notification number (Italy) | e333515a-0f47-4cca-bb4c-785059621f90 |
| SCIP notification number (Netherlands) | 0c5e03ed-27b1-489b-9876-f99ccce5af3c |
| SCIP notification number (Poland) | 6df00da0-9c65-403f-82b3-92d439f1046f |
| SCIP notification number (Romania) | cb548765-5811-44dc-9de0-25cb0a5d1a0e |
| SCIP notification number (Sweden) | 3418933c-d55f-4ac5-b907-4b47107f3f03 |


Approvals / Certificates

Subject to changes. Please also observe the further product documentation!


WAGO GmbH & Co. KG
Hansastr. 27
32423 Minden
Phone: +49571 887-0 | Fax: +49571 887-169
Email: info.de@wago.com | Web: www.wago.com

Do you have any questions about our products?
We are always happy to take your call at +49 (571) 887-44222.

General approvals


| Logo | Approval | Additional Approval Text | Certificate name |
|--|--|--------------------------|-------------------------------------|
|  | EAC Brjansker Zertifizierungsstelle | TP TC 004/2011 | EAC RU C-DE.AM02. B.00122 /19 |

Declarations of conformity and manufacturer's declarations




| Logo | Approval | Additional Approval Text | Certificate name |
|--|--|--------------------------|------------------|
|  | EU-Declaration of Conformity WAGO GmbH & Co. KG | - | - |

Optional accessories

Marking accessories

| Marker | | |
|---|---|--|
|  | Item no.: 209-701 WSB marking card; as card; not stretchable; plain; snap-on type; white | www.wago.com/209-701 |

Terminal blocks

| Terminal block for pluggable modules | | |
|--|--|--|
|  | Item no.: 280-619 Terminal block for pluggable modules; 6-pole; with 2-conductor terminal blocks; with orange separator; for DIN-rail 35 x 15 and 35 x 7.5; 2.5 mm ² ; CAGE CLAMP®; 2,50 mm ² ; gray | www.wago.com/280-619 |
|  | Item no.: 280-609 Terminal block for pluggable modules; 6-pole; with 4-conductor terminal blocks; with orange separator; for DIN-rail 35 x 15 and 35 x 7.5; 2.5 mm ² ; CAGE CLAMP®; 2,50 mm ² ; gray | www.wago.com/280-609 |
|  | Item no.: 280-763 Terminal block for pluggable modules; 6-pole; with 4-conductor terminal blocks; with marker carrier; with orange separator; for DIN-rail 35 x 15 and 35 x 7.5; 2.5 mm ² ; CAGE CLAMP®; 2,50 mm ² ; gray | www.wago.com/280-763 |

Downloads

Documentation

Instruction Leaflet

pdf
1.3 MB

Download

Additional Information

Subject to changes. Please also observe the further product documentation!

WAGO GmbH & Co. KG
Hansastr. 27
32423 Minden
Phone: +49571 887-0 | Fax: +49571 887-169
Email: info.de@wago.com | Web: www.wago.com

Do you have any questions about our products?
We are always happy to take your call at +49 (571) 887-44222.

Disposal and Recycling
Electrical and electronic equipment, Batteries, Packaging

V 1.1.0
2022 Aug 18

pdf
2.2 MB

[Download](#)

CAD/CAE-Data

CAE data

WSCAD Universe 286-307/004-000

[URL](#)

[Download](#)

WSCAD Universe 286-307/004-000

[URL](#)

[Download](#)

Environmental Product Compliance

Compliance Search

Environmental Product Compliance 286-307/004-000

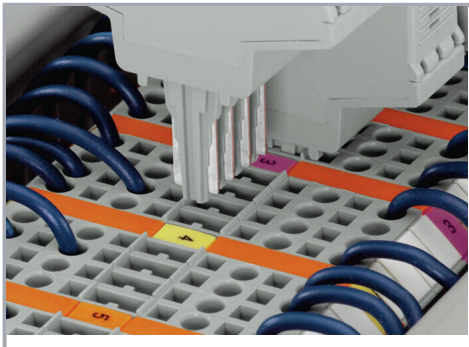
[URL](#)

[Download](#)

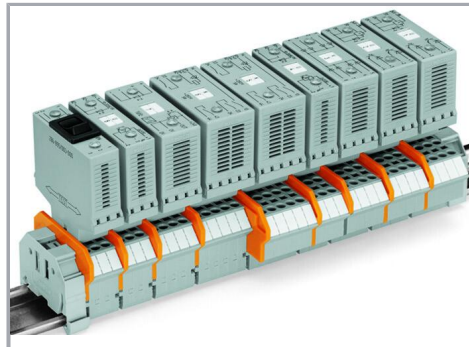
Relay module; Nominal input voltage: 110 VDC; 1 changeover contact; Limiting continuous current: 3 A; Railway; Red status indicator; Module width: 15 mm; gray

Installation Notes

Installation



Coding ensures correct polarity.



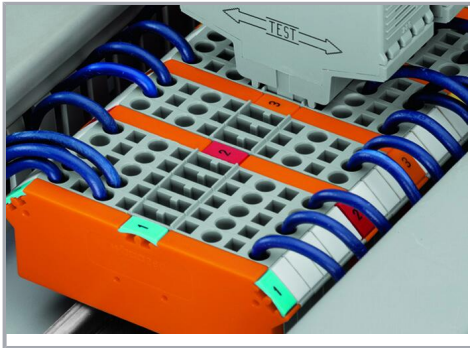
Pluggable electronic modules on 2- or 4-conductor carrier terminal blocks

Marking

Subject to changes. Please also observe the further product documentation!

WAGO GmbH & Co. KG
Hansastr. 27
32423 Minden
Phone: +49571 887-0 | Fax: +49571 887-169
Email: info.de@wago.com | Web: www.wago.com

Do you have any questions about our products?
We are always happy to take your call at +49 (571) 887-44222.



Marking via WMB Multi Marking System.

Testing



Function testing via touch-proof test slots

Subject to changes. Please also observe the further product documentation!