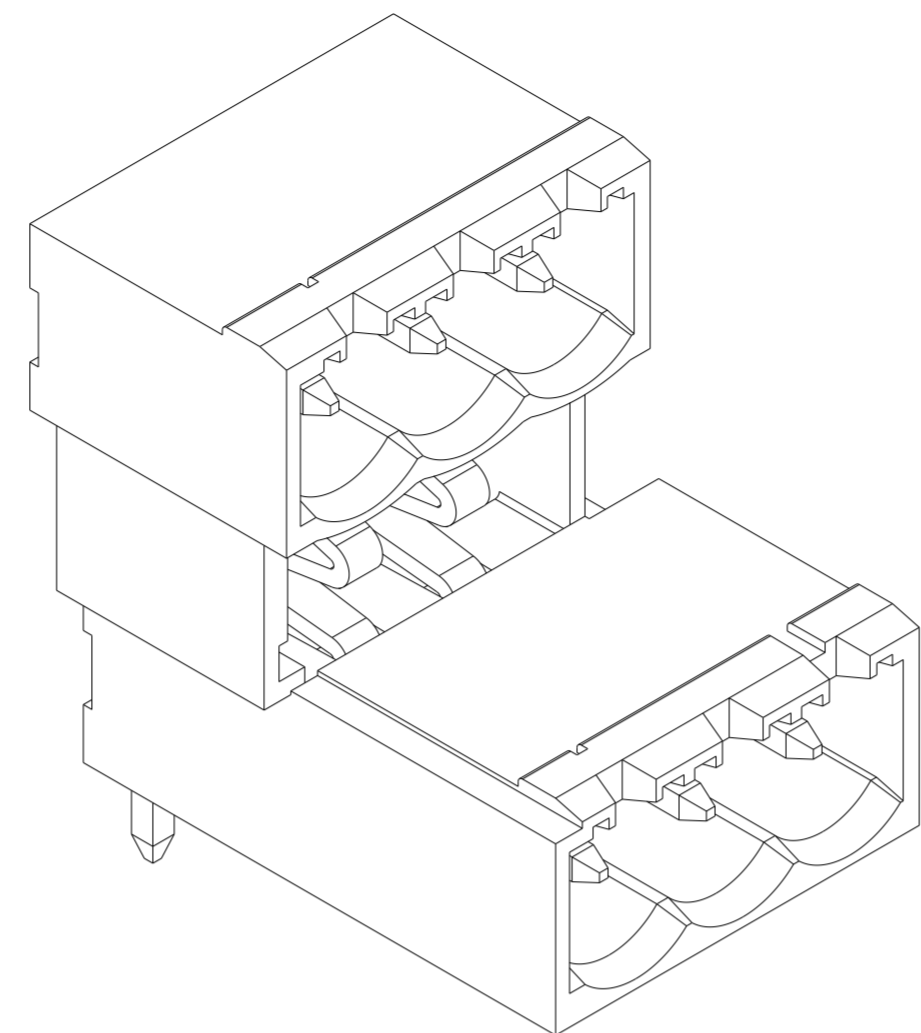
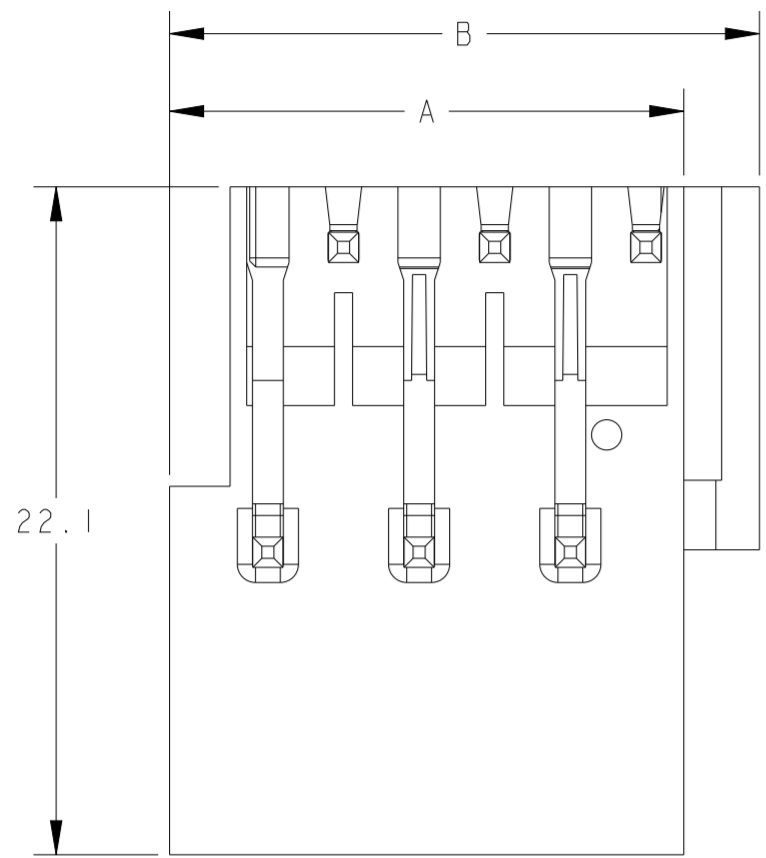


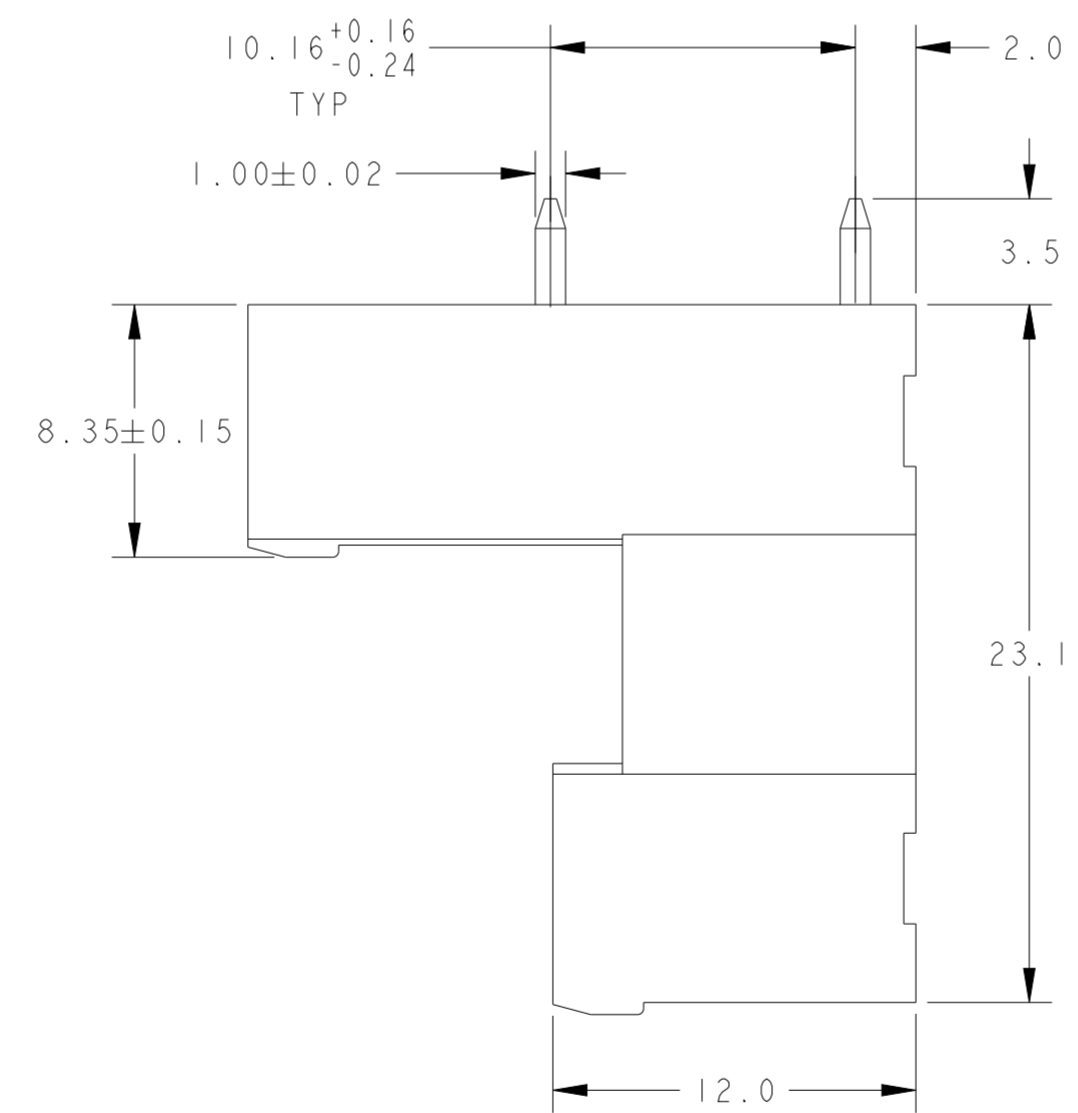
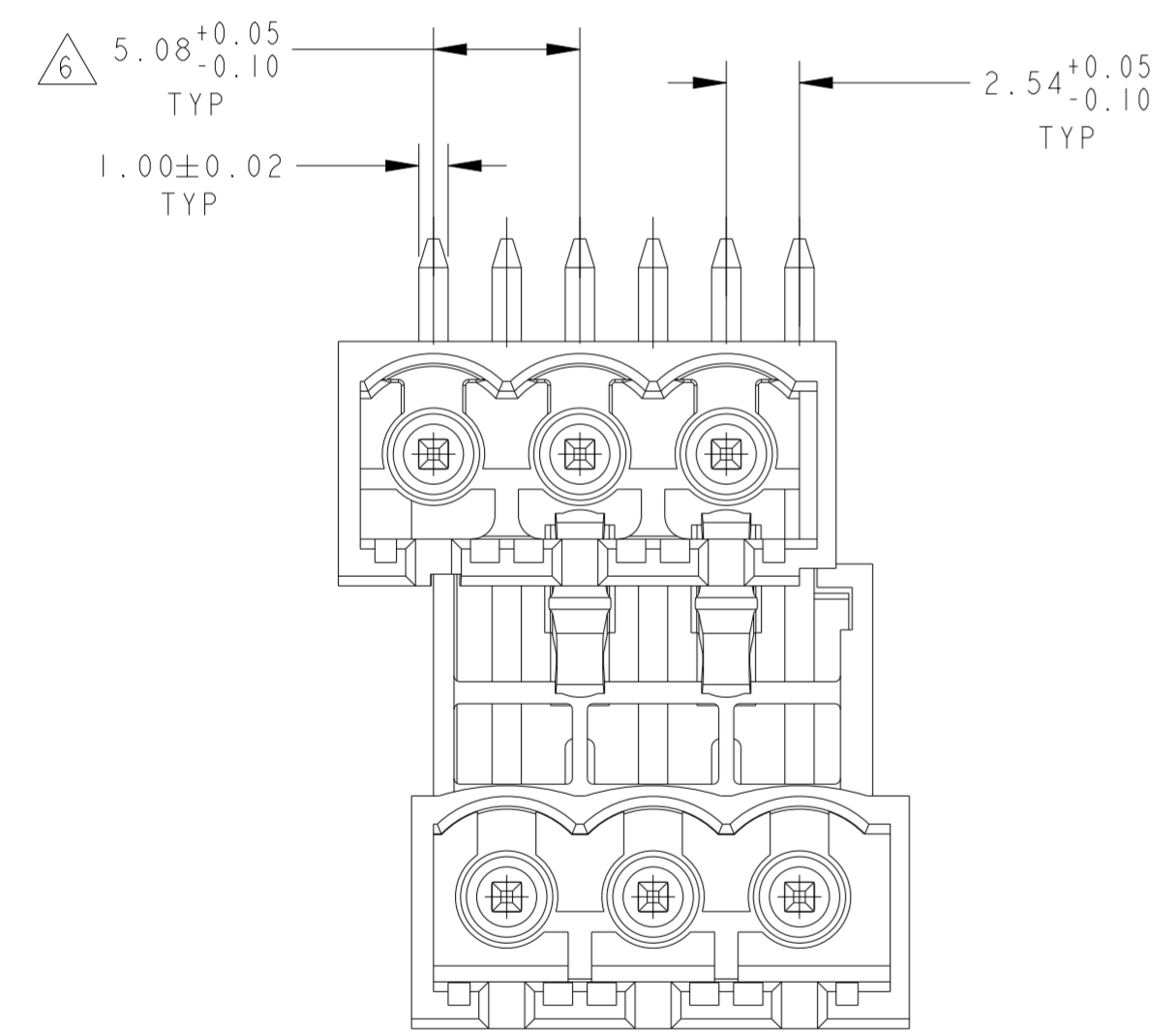
P	LTR	DESCRIPTION	DATE	DWN	APVD
C		DESIGN IMPROVEMENT IN NEW MOLD	08JUN2020	DV	PS
D		REVISED AS PER PCN: E-20-012263	10NOV2021	SCB	SS



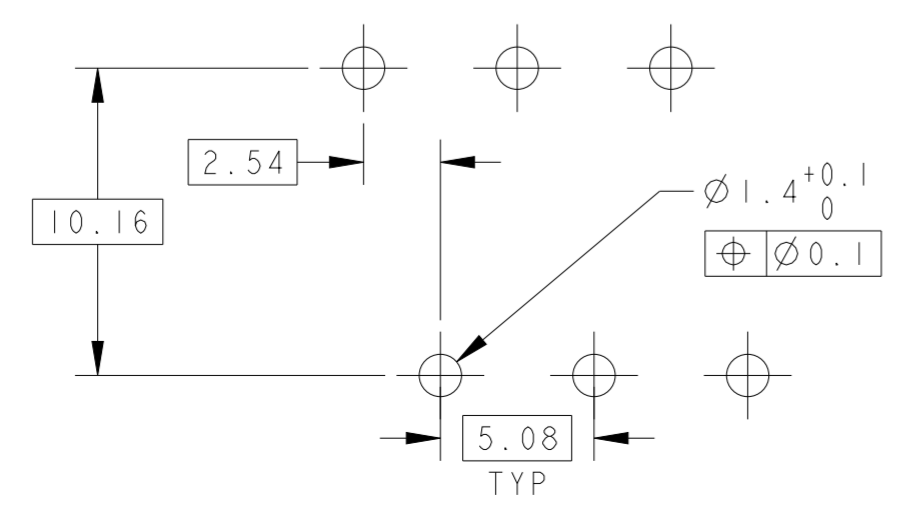
1776167-3 AS SHOWN

- MATERIALS AND FINISH  
HOUSING: HIGH TEMPERATURE POLYAMIDE, UL 94V-0 RATED, COLOR: BLACK.  
TERMINAL: COPPER ALLOY, TIN PLATED.
- SUITABLE FOR 1,6-2,4mm PC BOARD THICKNESS.
- ELECTRICAL  
RATED VOLTAGE : 300 V  
RATED CURRENT : 12 A  
CONTACT RESISTANCE : < 15 mΩ  
INSULATION RESISTANCE: > 1000 MΩ (500V DC)
- OPERATING TEMPERATURE RANGE: -40°C TO +110°C
- P/N FROM 1776167-4 TO 1776167-8 ARE OBTAINED BY ASSEMBLING 1776167-2 AND 1776167-3 TO ACHIEVE THE DESIRED NUMBER OF POSITIONS.

△ 6 NON CUMULATIVE TOLERANCE



RECOMMENDED PC BOARD LAYOUT



44.94	42.44	8	1776167-8
39.86	37.36	7	1776167-7
34.74	32.24	6	1776167-6
29.70	27.20	5	1776167-5
24.66	22.16	4	1776167-4
19.50	17.00	3	1776167-3
14.50	12.00	2	1776167-2
B	A	NO OF POS	PART NUMBER

THIS DRAWING IS A CONTROLLED DOCUMENT.

DIMENSIONS: mm	TOLERANCES UNLESS OTHERWISE SPECIFIED: 0 PLC ±3 1 PLC ±.25 2 PLC ±.25 3 PLC ±. 4 PLC ±. ANGLES ±2° FINISH	DWN S. WELDON 19JUL2005 CHK C. RICHARD 19JUL2005 APVD C. RICHARD 19JUL2005 PRODUCT SPEC APPLICATION SPEC 114-20079 WEIGHT -	NAME <b>STE</b> TE Connectivity TERMINAL BLOCK HEADER ASSEMBLY, MULTIPLE, 90 DEGREE, CLOSED ENDS, 5.08mm PITCH
MATERIAL		SIZE A2 CAGE CODE 00779 DRAWING NO C-1776167	RESTRICTED TO
CUSTOMER DRAWING		SCALE 5:1	SHEET 1 OF 1 REV D