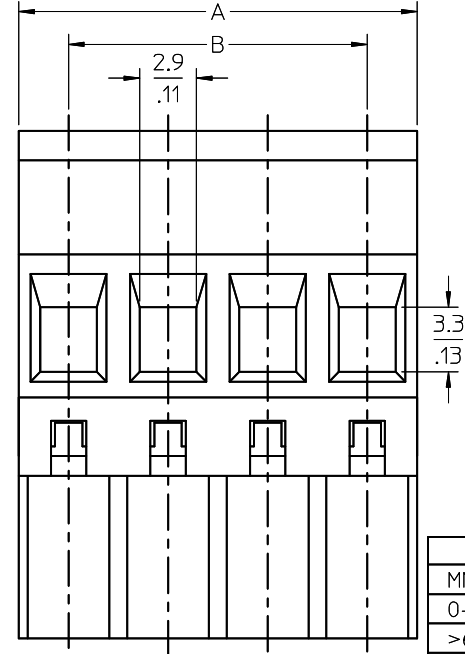
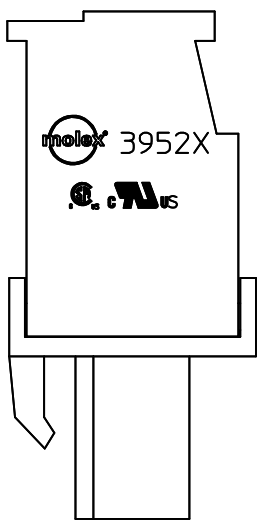
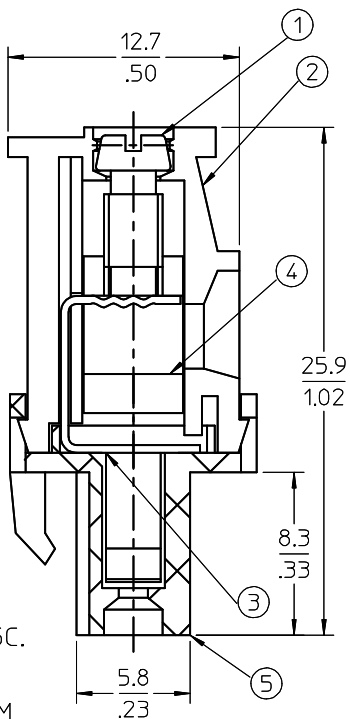
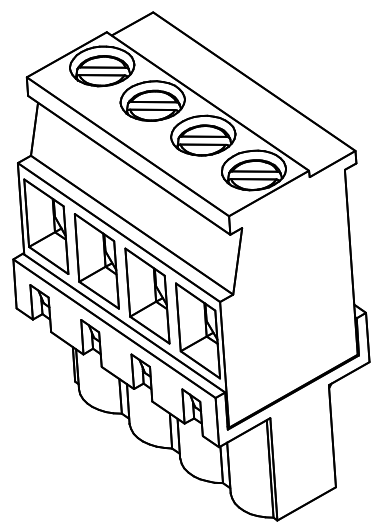
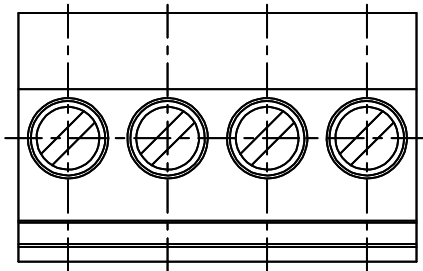


CIRCUITS	P/N	COLOR	IMPRINTING
2	395239000	GREEN	SEE SHEET 2
2	395239001	GREEN	SEE SHEET 2
4	395239002	GREEN	SEE SHEET 2
5	395239003	GREEN	SEE SHEET 2
6	395239004	GREEN	SEE SHEET 2
7	395239005	GREEN	SEE SHEET 2

CUSTOMER PRODUCTION APPROVAL
 APPROVED BY: _____
 DATE: _____
 MUST BE SIGNED AND RETURNED BEFORE
 PRODUCTION WILL BEGIN.



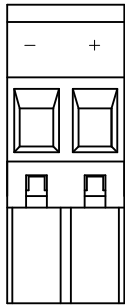
SPECIFICATIONS:

- Material:
 - Screw: Steel
 - Cover: PA66
 - Terminal: Phosphor Bronze
 - Cage: Brass
 - Body: PA66
- Wire range: 12 - 26 AWG
- Electrical rating: 300V, 15A.
- Wire strip length: 5.0mm.
- Operating temperature: -40C to +105C.
- Max torque: 5 In Lbs.
- Insulation resistance: DC 500V, 500M.
- Dielectric withstand: AC 2500V for 1 minute.
- Breakdown voltage: 4000V.
- Contact resistance: <10 mW.
- A = (N x P)
- B = (N - 1) x P
- P (PITCH) = 5.0mm (.197").
- N = Number of positions available 2 through 24.

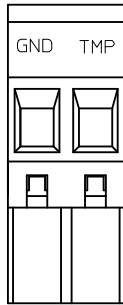
TOLERANCES			
MM	TOL	INCH	TOL
0-6	±0.25	0-.24	±.010
>6-30	±0.40	.24-1.18	±.016
>30-120	±0.50	1.18-4.76	±.020
>120	±0.80	>4.76	±.031

IRPM-T201741599 EC NO: IPG2018-0096 DRWN: ABENJAMINLW 2017/08/23 CHKD: APPR: BRUPERT 2017/08/30 REV DESCRIPTION	QUALITY SYMBOLS ▽=0 ▽=0	GENERAL TOLERANCES (UNLESS SPECIFIED) <table border="1"> <thead> <tr> <th></th> <th>mm</th> <th>INCH</th> </tr> </thead> <tbody> <tr> <td>4 PLACES</td> <td>±---</td> <td>±---</td> </tr> <tr> <td>3 PLACES</td> <td>±---</td> <td>±---</td> </tr> <tr> <td>2 PLACES</td> <td>±---</td> <td>±---</td> </tr> <tr> <td>1 PLACE</td> <td>±---</td> <td>±---</td> </tr> </tbody> </table>		mm	INCH	4 PLACES	±---	±---	3 PLACES	±---	±---	2 PLACES	±---	±---	1 PLACE	±---	±---	DIMENSION STYLE MM/IN	SCALE 4:1	DESIGN UNITS INCH	THIRD ANGLE PROJECTION
		mm	INCH																		
	4 PLACES	±---	±---																		
	3 PLACES	±---	±---																		
2 PLACES	±---	±---																			
1 PLACE	±---	±---																			
DRAFT WHERE APPLICABLE MUST REMAIN WITHIN DIMENSIONS		DRAWN BY ABENJAMINLW	DATE 2017/08/23	TITLE 5.0MM, EURO PLUG, VERT, REAR WIRE ENTRY W/ SPCL IMPRINTING																	
		CHECKED BY DATE	APPROVED BY BRUPERT	DATE 2017/08/30	Molex MOLEX INCORPORATED																
		MATERIAL NO.	SEE CHART		DOCUMENT NO. RSD-39523-001	SHEET NO. 1 OF 2															

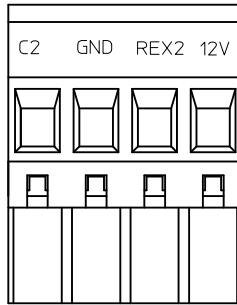
IMPRINTING CHART



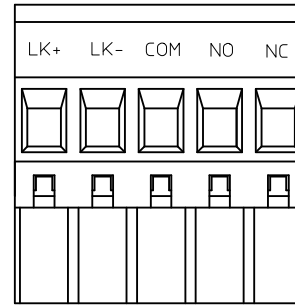
395239000



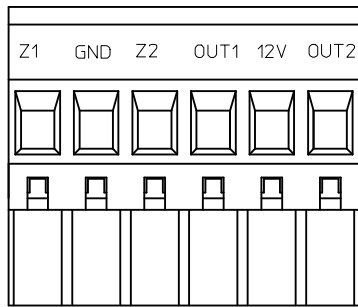
395239001



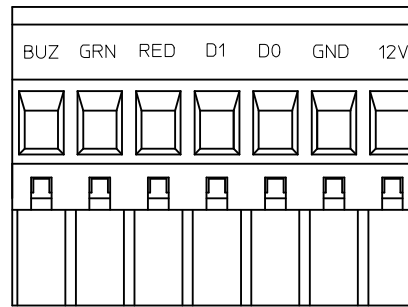
395239002



395239003



395239004



395239005

RPM-T201741599 EC NO: IPG2018-0096 DRWN: ABENJAMINLW 2017/08/23 CHKD: APPR: BRUPERT 2017/08/30	DESCRIPTION REV	QUALITY SYMBOLS	GENERAL TOLERANCES (UNLESS SPECIFIED)	DIMENSION STYLE MM/IN	SCALE 2:1	DESIGN UNITS INCH	THIRD ANGLE PROJECTION
		$F_A = 0$ $F_G = 0$ $F_P = 0$	mm INCH 4 PLACES ± --- ± --- 3 PLACES ± --- ± --- 2 PLACES ± --- ± --- 1 PLACE ± --- ± --- 0 PLACE ± ±	DRAWN BY DATE ABENJAMINLW 2017/08/23 CHECKED BY DATE	TITLE		
		DRAFT WHERE APPLICABLE MUST REMAIN WITHIN DIMENSIONS	APPROVED BY DATE BRUPERT 2017/08/30 MATERIAL NO.	THIS DRAWING CONTAINS INFORMATION THAT IS PROPRIETARY TO MOLEX INCORPORATED AND SHOULD NOT BE USED WITHOUT WRITTEN PERMISSION	5.0MM, EURO PLUG, VERT, REAR WIRE ENTRY W/ SPCL IMPRINTING molex RSD-39523-001		
		SIZE A3	ANGULAR ± --- °	DOCUMENT NO. SHEET NO.	2 OF 2		

10 9 8 7 6 5 4 3 2 1

F

E

D

C

B

A

F

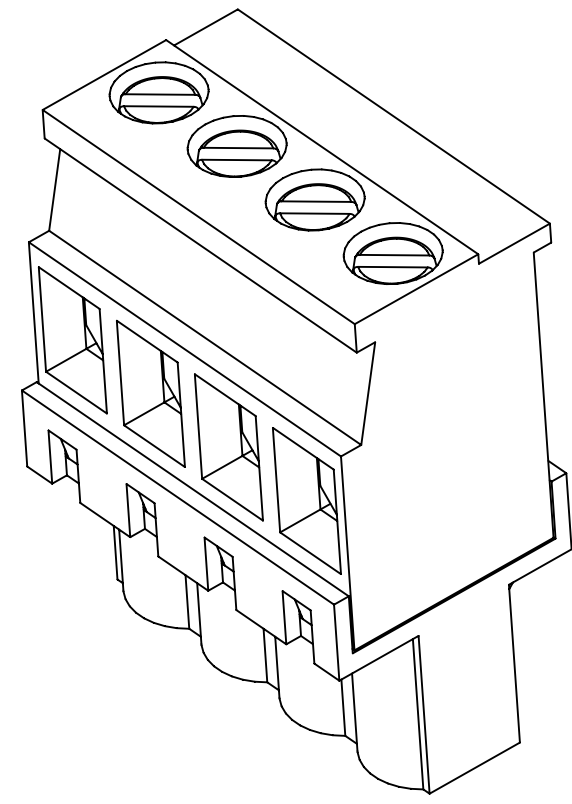
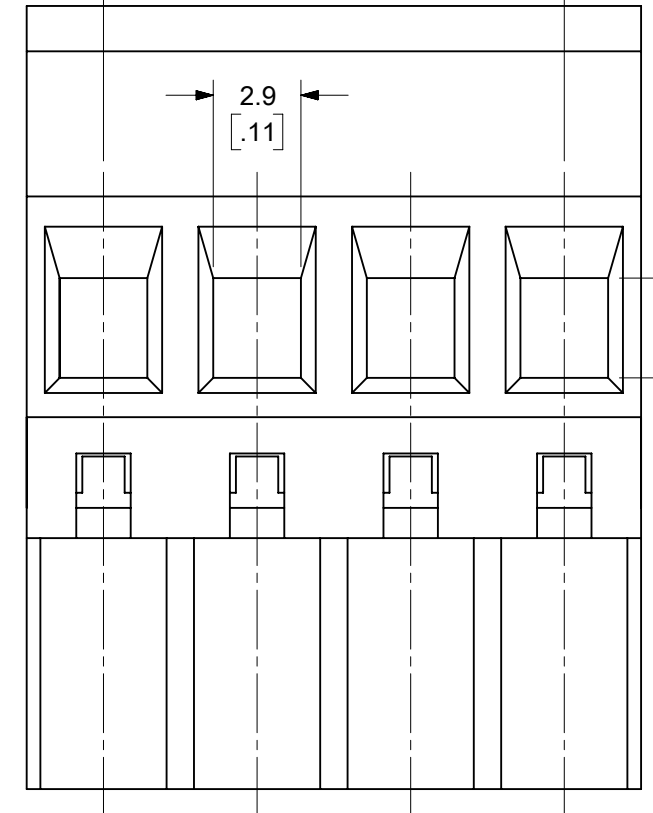
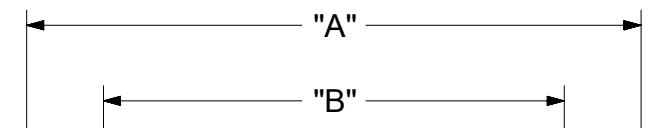
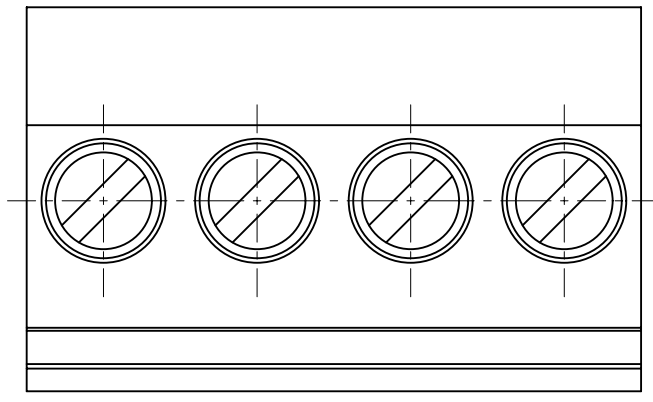
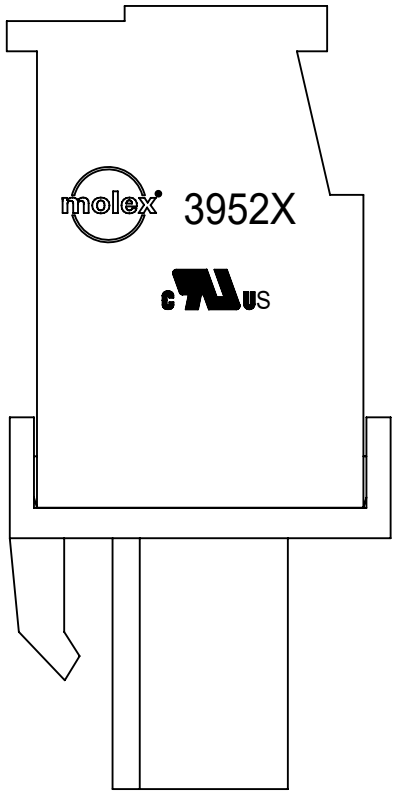
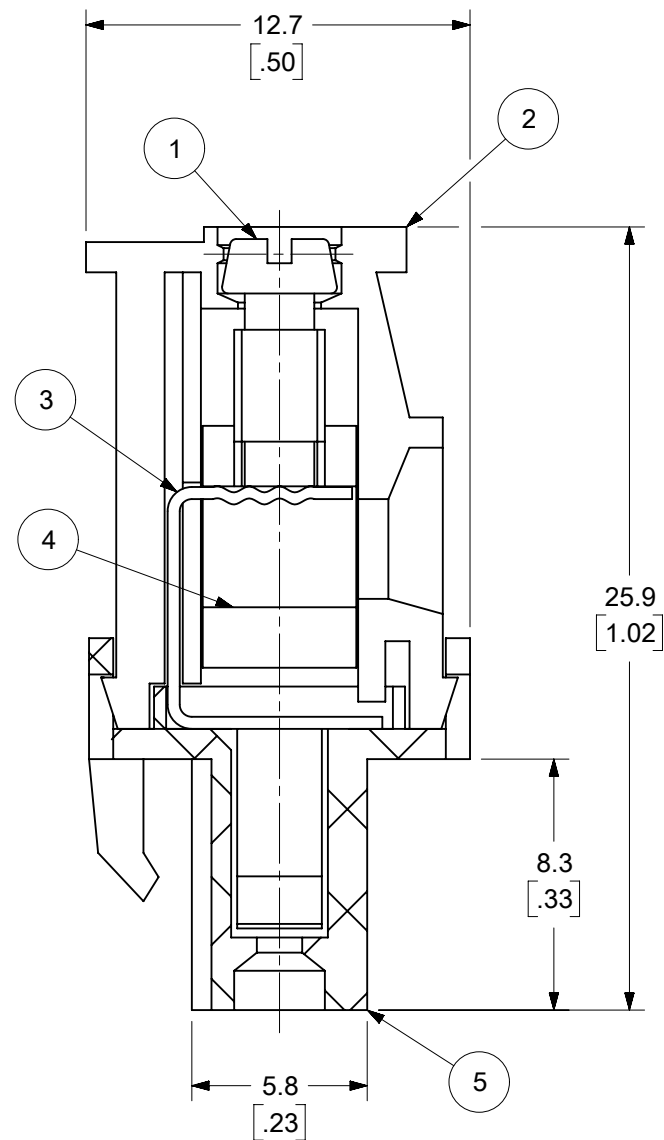
E

D

C

B

A



- SPECIFICATIONS:**
- MATERIAL:**
 - (1). M3 CLAMP SCREW: ZINC PLATED STEEL
 - (2). COVER: PA66, UL94-V0
 - (3). TERMINAL: TIN PLATED COPPER ALLOY
 - (4). CAGE: NICKEL PLATED BRASS
 - (5). BODY: PA66, UL94-V0
 - WIRE RANGE: 12 - 30 AWG
 - ELECTRICAL RATING: 300V, 18A PER UL
 - WIRE STRIP LENGTH: 5.0mm.
 - OPERATING TEMPERATURE: -40°C to +105°C.
 - MAX TORQUE: 5 IN LBS.
 - INSULATION RESISTANCE: DC 500V, 500MΩ.
 - DIELECTRIC WITHSTAND: AC 2500V FOR 1 MINUTE.
 - BREAKDOWN VOLTAGE: 4000V.
 - CONTACT RESISTANCE: <10 mΩ.

TOLERANCES			
MM	TOL	INCH	TOL
0-6	±0.25	0-.24	±.010
>6-30	±0.40	>.24-1.18	±.016
>30-120	±0.50	>1.18-4.76	±.020
>120	±0.80	>4.76	±.031

DOCUMENT STATUS	P1	RELEASE DATE	2023/05/25	16:08:30
-----------------	----	--------------	------------	----------

FUNCTIONAL SYMBOLS		THIS DRAWING CONTAINS INFORMATION THAT IS PROPRIETARY TO MOLEX ELECTRONIC TECHNOLOGIES, LLC AND SHOULD NOT BE USED WITHOUT WRITTEN PERMISSION		CURRENT REV DESC: REMOVED PCB LAYOUT			
FA=0	MM/INCH	SCALE	4:1	EC NO: 750901			
EA=0	GENERAL TOLERANCES (UNLESS SPECIFIED)			DRWN: ABENJAMINLW		2023/05/24	
EA=0				CHK'D: DACHAMMER		2023/05/24	
DIVISIONAL SYMBOLS				APPR: JFMURPHY		2023/05/25	
				INITIAL REVISION:			
				DRWN: LROTHAUS		2006/01/09	
				APPR: JPAWLICK		2006/01/10	
				THIRD ANGLE PROJECTION		SERIES	
				DRAWING		MATERIAL NUMBER	
				B-SIZE		CUSTOMER	
				39523		SHEET NUMBER	
				SEE SHEET-2		1 OF 2	

9 8 7 6 5 4 3 2 1

	10	9	8	7	6	5	4	3	2	1									
F	DESCRIPTION		MATERIAL NUMBERS											DIMENSIONAL INFORMATION					
			BLACK					GREEN											
			100% TIN			30 u" GOLD			100% TIN			30 u" GOLD			DIM. "A"		DIM. "B"		
			CIRCUIT SIZE	PRINTING OPTIONS			PRINTING OPTIONS			PRINTING OPTIONS			PRINTING OPTIONS			mm	inch	mm	inch
None	10AV	11AV		None	10AV	11AV	None	10AV	11AV	None	10AV	11AV							
E	5.0MM, EURO PLUG, VERTICAL, REAR WIRE ENTRY		2	395232002	395232302	395232402	395232502	395232802	395232902	395237002	395237302	395237402	395237502	395237802	395237902	10.00	.394	5.00	.197
	5.0MM, EURO PLUG, VERTICAL, REAR WIRE ENTRY		3	395232003	395232303	395232403	395232503	395232803	395232903	395237003	395237303	395237403	395237503	395237803	395237903	15.00	.591	10.00	.394
	5.0MM, EURO PLUG, VERTICAL, REAR WIRE ENTRY		4	395232004	395232304	395232404	395232504	395232804	395232904	395237004	395237304	395237404	395237504	395237804	395237904	20.00	.787	15.00	.591
	5.0MM, EURO PLUG, VERTICAL, REAR WIRE ENTRY		5	395232005	395232305	395232405	395232505	395232805	395232905	395237005	395237305	395237405	395237505	395237805	395237905	25.00	.984	20.00	.787
	5.0MM, EURO PLUG, VERTICAL, REAR WIRE ENTRY		6	395232006	395232306	395232406	395232506	395232806	395232906	395237006	395237306	395237406	395237506	395237806	395237906	30.00	1.181	25.00	.984
	5.0MM, EURO PLUG, VERTICAL, REAR WIRE ENTRY		7	395232007	395232307	395232407	395232507	395232807	395232907	395237007	395237307	395237407	395237507	395237807	395237907	35.00	1.378	30.00	1.181
	5.0MM, EURO PLUG, VERTICAL, REAR WIRE ENTRY		8	395232008	395232308	395232408	395232508	395232808	395232908	395237008	395237308	395237408	395237508	395237808	395237908	40.00	1.575	35.00	1.378
	5.0MM, EURO PLUG, VERTICAL, REAR WIRE ENTRY		9	395232009	395232309	395232409	395232509	395232809	395232909	395237009	395237309	395237409	395237509	395237809	395237909	45.00	1.772	40.00	1.575
	5.0MM, EURO PLUG, VERTICAL, REAR WIRE ENTRY		10	395232010	395232310	395232410	395232510	395232810	395232910	395237010	395237310	395237410	395237510	395237810	395237910	50.00	1.969	45.00	1.772
	5.0MM, EURO PLUG, VERTICAL, REAR WIRE ENTRY		11	395232011	395232311	395232411	395232511	395232811	395232911	395237011	395237311	395237411	395237511	395237811	395237911	55.00	2.165	50.00	1.969
	5.0MM, EURO PLUG, VERTICAL, REAR WIRE ENTRY		12	395232012	395232312	395232412	395232512	395232812	395232912	395237012	395237312	395237412	395237512	395237812	395237912	60.00	2.362	55.00	2.165
	5.0MM, EURO PLUG, VERTICAL, REAR WIRE ENTRY		13	395232013	395232313	395232413	395232513	395232813	395232913	395237013	395237313	395237413	395237513	395237813	395237913	65.00	2.559	60.00	2.362
	5.0MM, EURO PLUG, VERTICAL, REAR WIRE ENTRY		14	395232014	395232314	395232414	395232514	395232814	395232914	395237014	395237314	395237414	395237514	395237814	395237914	70.00	2.756	65.00	2.559
	5.0MM, EURO PLUG, VERTICAL, REAR WIRE ENTRY		15	395232015	395232315	395232415	395232515	395232815	395232915	395237015	395237315	395237415	395237515	395237815	395237915	75.00	2.953	70.00	2.756
	5.0MM, EURO PLUG, VERTICAL, REAR WIRE ENTRY		16	395232016	395232316	395232416	395232516	395232816	395232916	395237016	395237316	395237416	395237516	395237816	395237916	80.00	3.150	75.00	2.953
	5.0MM, EURO PLUG, VERTICAL, REAR WIRE ENTRY		17	395232017	395232317	395232417	395232517	395232817	395232917	395237017	395237317	395237417	395237517	395237817	395237917	85.00	3.346	80.00	3.150
	5.0MM, EURO PLUG, VERTICAL, REAR WIRE ENTRY		18	395232018	395232318	395232418	395232518	395232818	395232918	395237018	395237318	395237418	395237518	395237818	395237918	90.00	3.543	85.00	3.346
	5.0MM, EURO PLUG, VERTICAL, REAR WIRE ENTRY		19	395232019	395232319	395232419	395232519	395232819	395232919	395237019	395237319	395237419	395237519	395237819	395237919	95.00	3.740	90.00	3.543
	5.0MM, EURO PLUG, VERTICAL, REAR WIRE ENTRY		20	395232020	395232320	395232420	395232520	395232820	395232920	395237020	395237320	395237420	395237520	395237820	395237920	100.00	3.937	95.00	3.740
	5.0MM, EURO PLUG, VERTICAL, REAR WIRE ENTRY		21	395232021	395232321	395232421	395232521	395232821	395232921	395237021	395237321	395237421	395237521	395237821	395237921	105.00	4.134	100.00	3.937
	5.0MM, EURO PLUG, VERTICAL, REAR WIRE ENTRY		22	395232022	395232322	395232422	395232522	395232822	395232922	395237022	395237322	395237422	395237522	395237822	395237922	110.00	4.331	105.00	4.134
	5.0MM, EURO PLUG, VERTICAL, REAR WIRE ENTRY		23	395232023	395232323	395232423	395232523	395232823	395232923	395237023	395237323	395237423	395237523	395237823	395237923	115.00	4.528	110.00	4.331
	5.0MM, EURO PLUG, VERTICAL, REAR WIRE ENTRY		24	395232024	395232324	395232424	395232524	395232824	395232924	395237024	395237324	395237424	395237524	395237824	395237924	120.00	4.724	115.00	4.528

TOLERANCES			
MM	TOL	INCH	TOL
0-6	±0.25	0-.24	±.010
>6-30	±0.40	.24-1.18	±.016
>30-120	±0.50	1.18-4.76	±.020
>120	±0.80	>4.76	±.031

FUNCTIONAL SYMBOLS	THIS DRAWING CONTAINS INFORMATION THAT IS PROPRIETARY TO MOLEX ELECTRONIC TECHNOLOGIES, LLC AND SHOULD NOT BE USED WITHOUT WRITTEN PERMISSION	CURRENT REV DESC: REMOVED PCB LAYOUT	
DIMENSION UNITS	SCALE	EC NO: 750901	
MM/INCH	1:1	DRWN: ABENJAMINLW 2023/05/24	
GENERAL TOLERANCES (UNLESS SPECIFIED)		CHK'D: DACHAMMER 2023/05/24	
DIVISIONAL SYMBOLS	4 PLACES ± --- ± ---	APPR: JFMURPHY 2023/05/25	PRODUCT CUSTOMER DRAWING
	3 PLACES ± --- ± SEE CHART	INITIAL REVISION:	DOCUMENT NUMBER
	2 PLACES ± SEE CHART ± SEE CHART	DRWN: LROTHAUS 2006/01/09	SD-39523-002
	1 PLACE ± SEE CHART ± ---	APPR: JPAWLICK	DOC TYPE DOC PART REVISION
	0 PLACES ± --- ± ---	THIRD ANGLE PROJECTION	PSD 001 A5
	ANGULAR TOL ± ---	DRAWING SERIES	MATERIAL NUMBER CUSTOMER SHEET NUMBER
	DRAFT WHERE APPLICABLE MUST REMAIN WITHIN DIMENSIONS	B-SIZE 39523	SEE CHART GENERAL MARKET 2 OF 2