



## Delta 7A

WiFi / WLAN & ISM Hinged Antenna

### Key Features



- Hinged mount
- Dual Band WiFi 2.4 / 5.8GHz
- Robust construction
- Omni-directional

### General Description

The Delta 7A is a dual band WiFi antenna, tuned to 2.4GHz and 5.8GHz with a peak gain of 5dBi.

The hinged joint provides a flexible means of setting the antenna into its desirable or most optimum position for WiFi transmission.

The Delta 7A supports WiFi, Bluetooth, Zigbee and ISM based applications and can be used with most modern day WiFi modems such as NetGear and TP-link that operate on the traditional 2.4GHz and extended 5.8GHz band.

The Delta 7A is supplied, as standard, with either an SMA Male or a reverse polarity SMA male connector.

### Additional Considerations

- Adjustable mounting allows positioning signal optimisation
- Dual band flexibility - choose less congested network
- Meets all EU compliance criteria for electronic goods





## Delta 7A

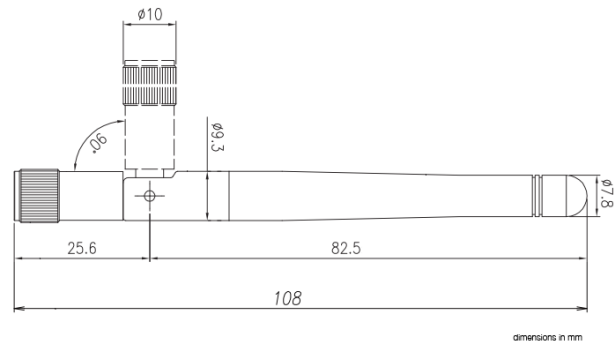
WiFi / WLAN & ISM Hinged Antenna

### Electrical Specifications

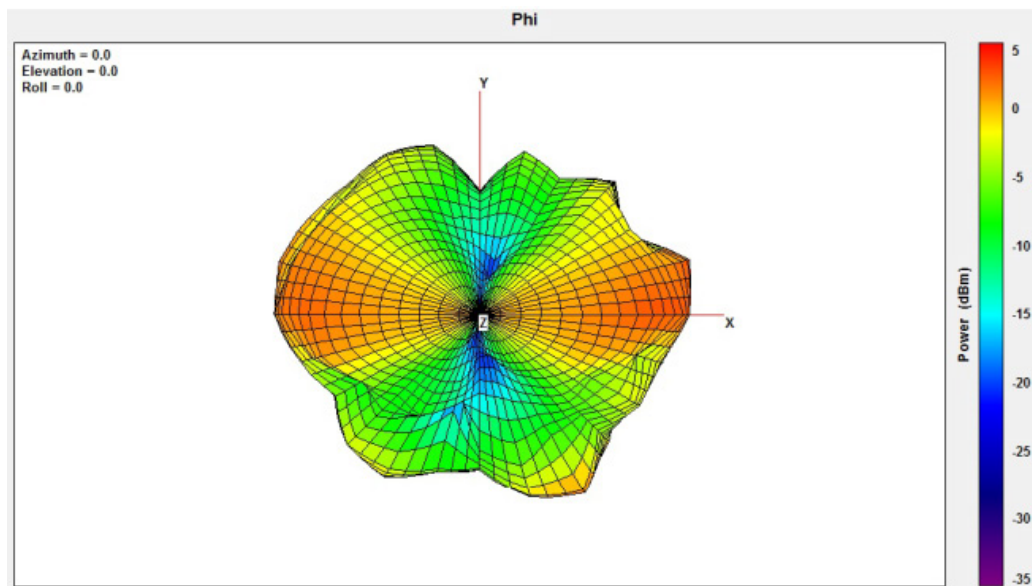
Operating Temperature range:	-20 - +65 °C
Storage Temperature range:	-30 - +75°C
Impedance:	50 Ohm
Peak Gain:	5 dBi
VSWR:	< 2.0
Frequency Range:	2.4GHz - 5.8GHz
Polarization:	Vertical
Radiating element:	¼ wave omni-directional dipole

### Mechanical Specifications

Dimensions:	L110 x 10mm Ø
Connector:	SMA Male
Mounting method:	Direct connect



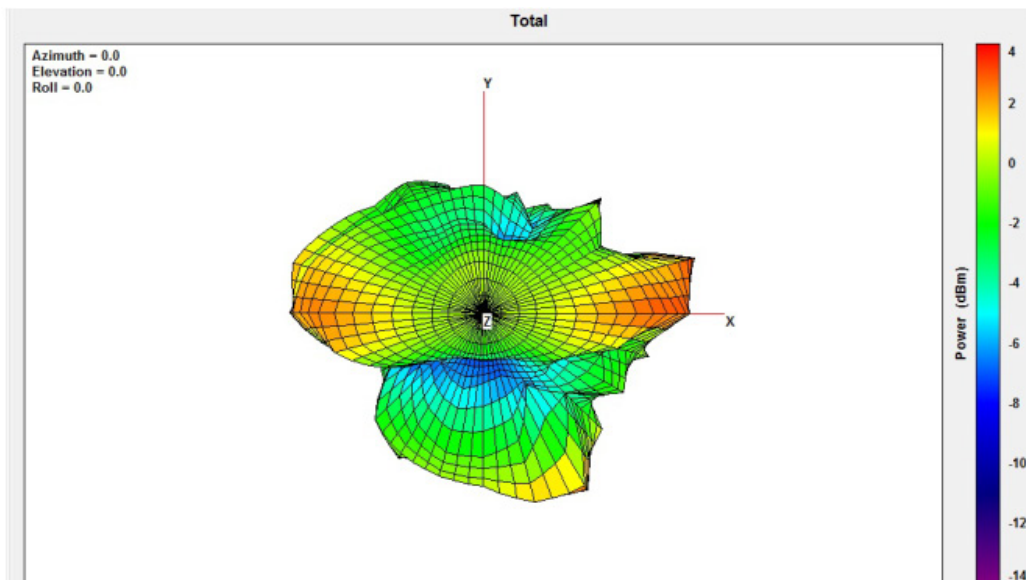
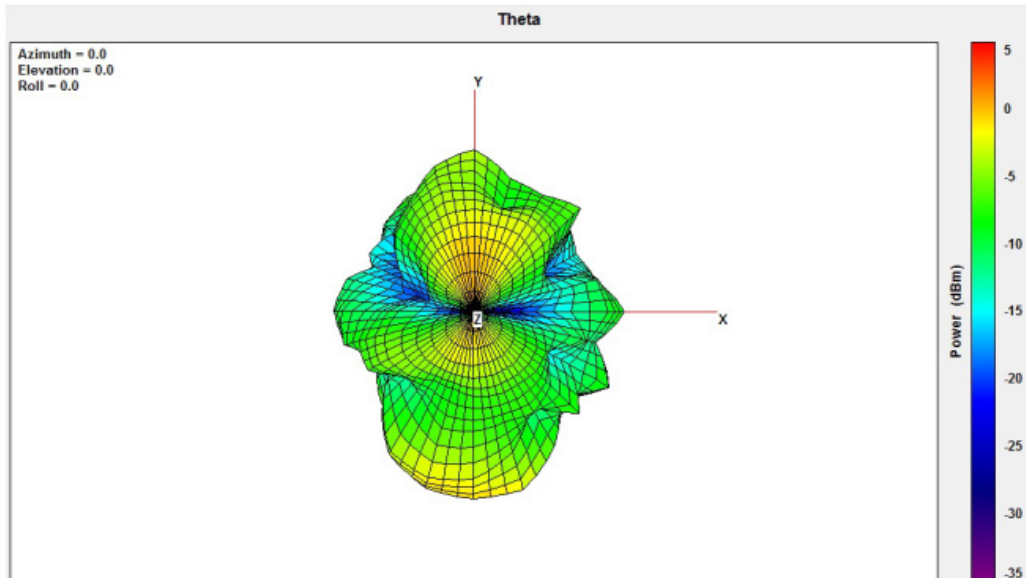
### Radiation Plots





## Delta 7A

WiFi / WLAN & ISM Hinged Antenna



### Ordering Details:

Part Number	Description
DELTA7A/x/SMAM/S/S/11	WiFi / WLAN & ISM Hinged Antenna SMA Male
DELTA7A/x/SMAM/RP/S/11	WiFi / WLAN & ISM Hinged Antenna SMA Male Reverse Polarity