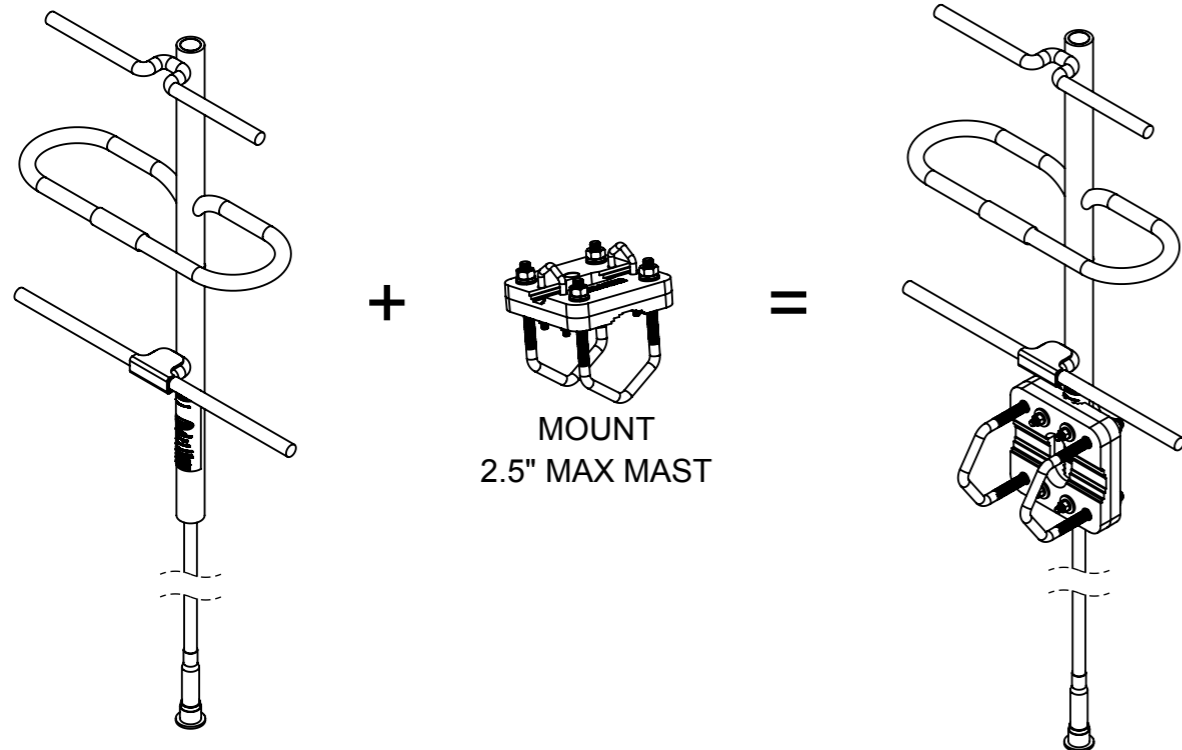
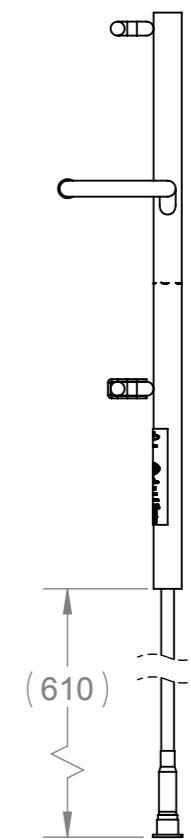
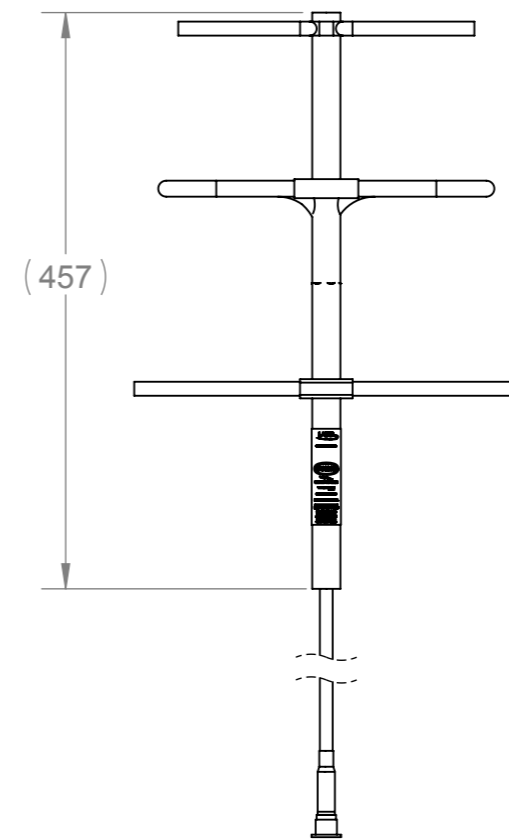
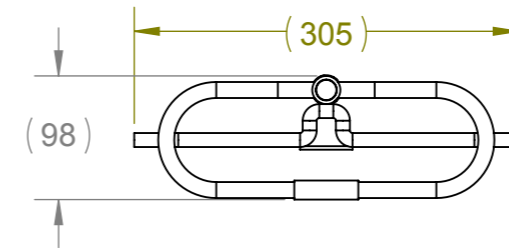


PARAMETER	PERFORMANCE
MODEL NUMBER	YF45018-61NF
FREQUENCY	440-490 MHz
GAIN	8.3 dBi
POLARIZATION	VERTICAL OR HORIZONTAL
RADIATION PATTERN	DIRECTIONAL
VSWR	< 1.5:1 Nominal
	<2:1 Maximum
POWER RATING	250 WATTS
IP RATING	IP67
OPERATING TEMPERATURE	-30° C TO +70° C
STORAGE TEMPERATURE	-40° C TO +85° C
OPERATIONAL WIND RATING	100 mph (160 km/h) (2.6 lbf load)
SURVIVAL WIND RATING	136 mph (220km/h) (4.7 lbf load)
WEIGHT WITHOUT BRACKET	1.50 lbs (0.68 kg)
WEIGHT WITH BRACKET	3.03 lbs (1.37 kg)
FRONT TO BACK RATIO	15dB
TERMINATION	N-FEMALE
CABLE TYPE	RG213
IMPEDANCE	50 ohm TYP.

REVISIONS					
REV.	ECN#	ZONE	DESCRIPTION	CHANGED BY/DATE	APPROVED BY/DATE
AA	ECN-IAS-03974	ALL	INITIAL REVIEW	S.S. 02MAR15	R.H. 02MAR15
F01	ECN-IAS-05178	ALL	UPDATED CHART INFO, CORRECTED PIGTAIL LENGTH	S.J. 11MAR16	R.H. 11MAR16
F02	ECN-IAS-05391	D5	VSWR SPEC WAS <1.5:1, POWER RATING WAS 200 WATTS	S.J. 13MAY16	R.H. 13MAY16
F03	ECO-18-00248	TABLE	CHGD PERFORMANCE FREQ was 450-490,VSWR was 1.7:1 Max	M.L. 13JUN18	A.M. 13JUN18



MATERIAL: N/A	THIRD ANGLE PROJECTION													
FINISH: N/A	DO NOT SCALE DRAWING													
<table border="1"> <thead> <tr> <th>APPROVALS</th> <th>DATE</th> </tr> </thead> <tbody> <tr> <td>DRAWN BY S. SAFVI</td> <td>02MAR15</td> </tr> <tr> <td>ELEC. ENG. R. HARO</td> <td>02MAR15</td> </tr> <tr> <td>MECH. ENG. S. SAFVI</td> <td>02MAR15</td> </tr> <tr> <td>MFG./OPS. B. THATCHER</td> <td>02MAR15</td> </tr> </tbody> </table>		APPROVALS	DATE	DRAWN BY S. SAFVI	02MAR15	ELEC. ENG. R. HARO	02MAR15	MECH. ENG. S. SAFVI	02MAR15	MFG./OPS. B. THATCHER	02MAR15	TITLE: YF45018-61NF		
APPROVALS	DATE													
DRAWN BY S. SAFVI	02MAR15													
ELEC. ENG. R. HARO	02MAR15													
MECH. ENG. S. SAFVI	02MAR15													
MFG./OPS. B. THATCHER	02MAR15													
<table border="1"> <tr> <td>ANGLE: ±30'</td> <td>0 PLACE DECIMAL: ±0.5</td> </tr> <tr> <td>1 PLACE DECIMAL: ±0.25</td> <td>2 PLACE DECIMAL: ±0.13</td> </tr> <tr> <td colspan="2">SURFACE ROUGHNESS 1.6</td> </tr> </table>		ANGLE: ±30'	0 PLACE DECIMAL: ±0.5	1 PLACE DECIMAL: ±0.25	2 PLACE DECIMAL: ±0.13	SURFACE ROUGHNESS 1.6		<table border="1"> <tr> <td>SIZE A3</td> <td>DWG. NO. YF45018-61NFMO</td> <td>REV F03</td> </tr> <tr> <td>SCALE: 1:6</td> <td>PREVIOUS#</td> <td>SHEET 1 OF 1</td> </tr> </table>	SIZE A3	DWG. NO. YF45018-61NFMO	REV F03	SCALE: 1:6	PREVIOUS#	SHEET 1 OF 1
ANGLE: ±30'	0 PLACE DECIMAL: ±0.5													
1 PLACE DECIMAL: ±0.25	2 PLACE DECIMAL: ±0.13													
SURFACE ROUGHNESS 1.6														
SIZE A3	DWG. NO. YF45018-61NFMO	REV F03												
SCALE: 1:6	PREVIOUS#	SHEET 1 OF 1												