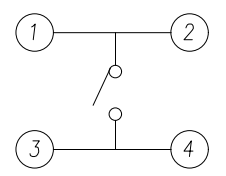
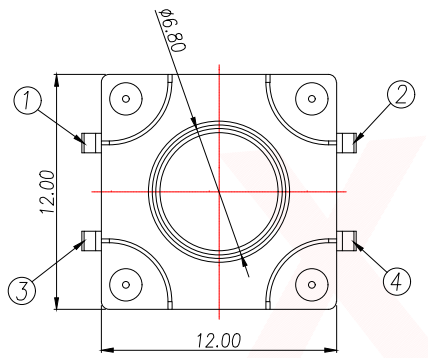
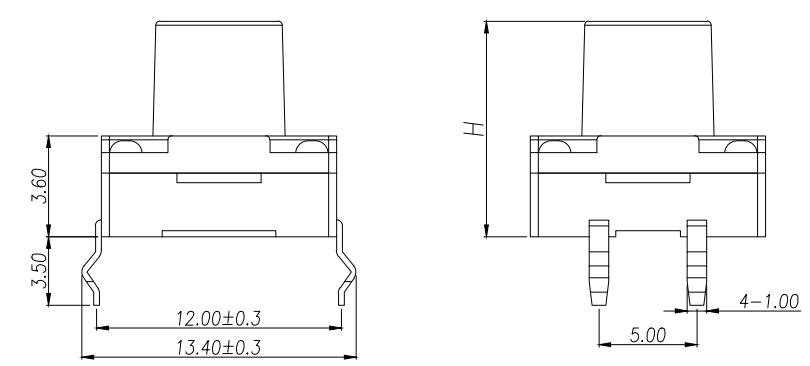
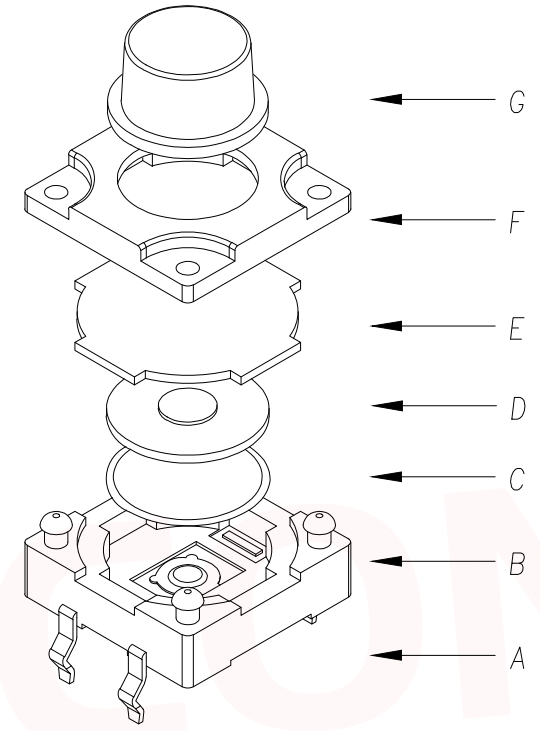


REV.	Q'TY	ECN. NO.	APR.	DATE



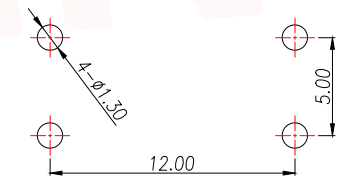
CIRCUIT DIAGRAM



G	按钮	PPA	1	黑色
F	盖板	PPA	1	黑色
E	防尘膜	硅胶	1	黑色
D	内按	PPA	1	黑色
C	弹片	磷铜/不锈钢	1	镀镍
B	本体	PPA	1	黑色
A	卡件	黄铜	1	镀镍
ITEM	DESCRIPTION	MATERIAL	QTY	FINSH/COLOR

The Main Thchnology Performance

Rate voltage,current	50mA DC12V
Contact resistance	≤100mΩ
Operating force	±30gf
Travel	0.30±0.10mm
Insulated resistance	≥100MΩ
Dielectric strength	≥250VAC/1min
IP rating	IP67



PCB.WELDING DRAWING

T S O 1 8 - C B Y 1

力度: F: 250G E: 180G
 高度: H4.3 H4.5

H	H	H
4.3	6.5	9.5
4.5	7.0	10.0
4.8	7.5	10.5
5.0	8.0	11.0
5.5	8.5	11.5
6.0	9.0	12.0

DIMENSION IN mm		APR. Alex		TITLE: 12x12 DIP TACT SWITCH	
TOLERANCE UNLESS OTHERWISE SPECIFIED		CHK. Jack		DWG NO. TS018-CBY1FHX	
.X±0.35	X.*± 5°	DRA. Can		PROJECT: CUSTOMER DRAWING	
.XX±0.25	.X*± 3°	SIZE A4		SCALE 1:1	SHEET 1/1
.XXX±0.15	.XX*± 1°	REV. A		F-RD-18A	

厦门市辛译精密电子有限公司
 Xiamen XinYi Xyecomm Electronics Co.,Ltd