



Connectors > Contacts > Connector Contacts



Contact Type: Pin

Wire Size: .14 – .5 mm²

Product Terminates To: Wire & Cable

Features

Contact Features

Contact Type	Pin
--------------	-----

Termination Features

Product Terminates To	Wire & Cable
-----------------------	--------------

Dimensions

Wire Size	.14 – .5 mm ²
-----------	--------------------------

Packaging Features

Packaging Quantity	20
Packaging Method	Package

Product Compliance

[For compliance documentation, visit the product page on TE.com>](#)

EU RoHS Directive 2011/65/EU	Compliant with Exemptions
EU ELV Directive 2000/53/EC	Compliant with Exemptions
China RoHS 2 Directive MIIT Order No 32, 2016	Restricted Materials Above Threshold
EU REACH Regulation (EC) No. 1907/2006	Current ECHA Candidate List: JUNE 2023 (235) Candidate List Declared Against: JUNE 2023 (235) SVHC > Threshold: Pb (1.2% in Part component) <small>Article Safe Usage Statements: Do not eat, drink or smoke when using this product. Wash thoroughly after handling. Recycle if possible and dispose of the article by following all applicable governmental regulations relevant to your geographic location.</small>
Halogen Content	Low Halogen - Br, Cl, F, I < 900 ppm per homogenous material. Also BFR/CFR/PVC

Free

Solder Process Capability

Not applicable for solder process capability

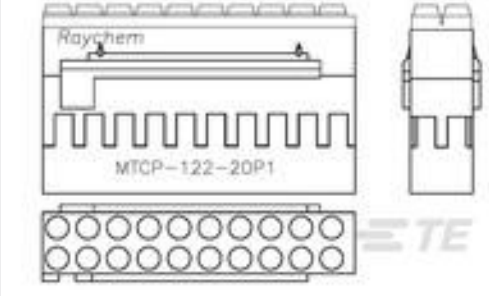
Product Compliance Disclaimer

This information is provided based on reasonable inquiry of our suppliers and represents our current actual knowledge based on the information they provided. This information is subject to change. The part numbers that TE has identified as EU RoHS compliant have a maximum concentration of 0.1% by weight in homogenous materials for lead, hexavalent chromium, mercury, PBB, PBDE, DBP, BBP, DEHP, DIBP, and 0.01% for cadmium, or qualify for an exemption to these limits as defined in the Annexes of Directive 2011/65/EU (RoHS2). Finished electrical and electronic equipment products will be CE marked as required by Directive 2011/65/EU. Components may not be CE marked. Additionally, the part numbers that TE has identified as EU ELV compliant have a maximum concentration of 0.1% by weight in homogenous materials for lead, hexavalent chromium, and mercury, and 0.01% for cadmium, or qualify for an exemption to these limits as defined in the Annexes of Directive 2000/53/EC (ELV). Regarding the REACH Regulation, the information TE provides on SVHC in articles for this part number is based on the latest European Chemicals Agency (ECHA) 'Guidance on requirements for substances in articles' posted at this URL: <https://echa.europa.eu/guidance-documents/guidance-on-reach>

Compatible Parts



TE Part # 953371-000
MTCP-122-20P



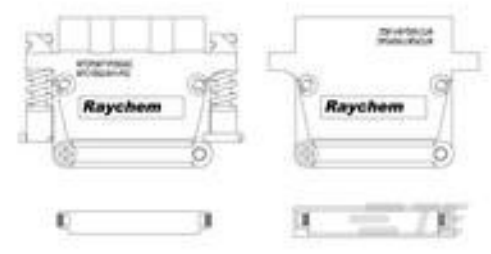
TE Part # 603431-000
MTCP-122-20P1



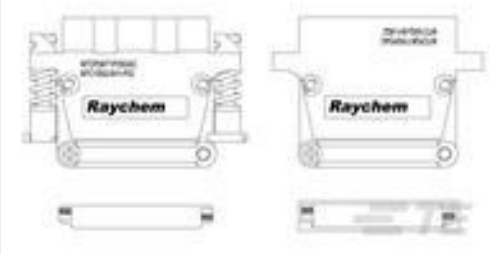
TE Part # 196877-000
MTCP-122-20PQ1



TE Part # 555747-000
MTCP-122-20PQ2



TE Part # CA7503-000
MTCPQKT2P26SGCA




TE Part # CL9426-000
MTCPQKT2P22PFDB



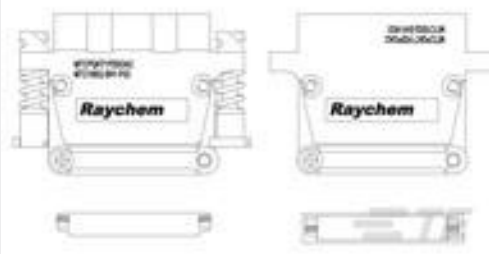
TE Part # 850957-000
MTCP-122-20PQ



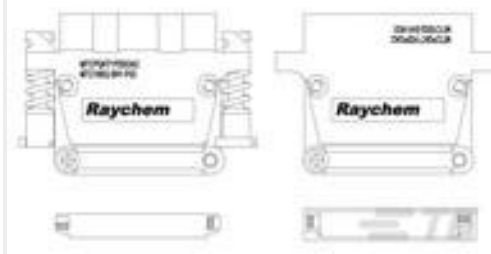
TE Part # A56800-000
MTCPQKT1P2PGCC



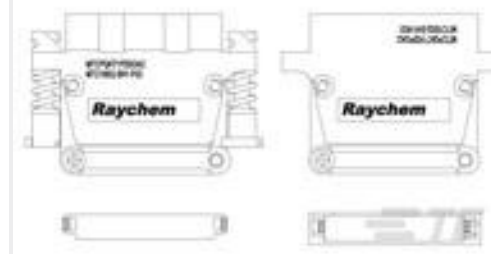
TE Part # C36940-000
MTCPQKT1P2PGDD




TE Part # D75728-000
MTCPQKT2P22PGBB



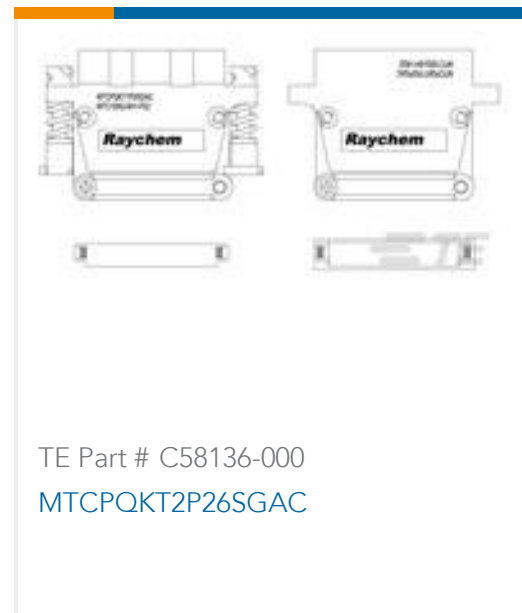
TE Part # E91412-000
MTCPQKT2P26SFAD



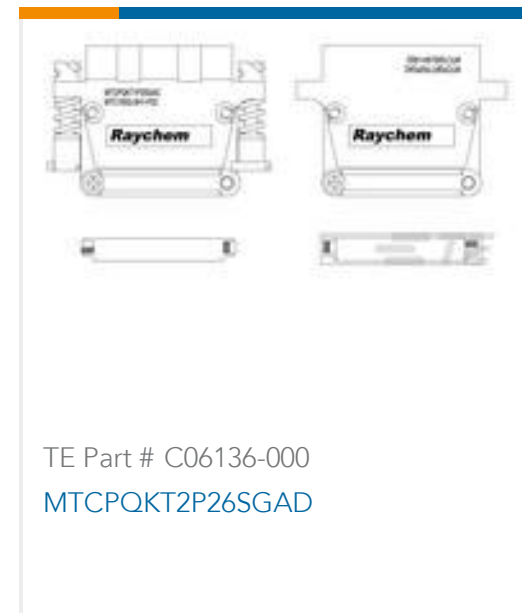
TE Part # D39878-000
MTCPQKT2P26SFCA



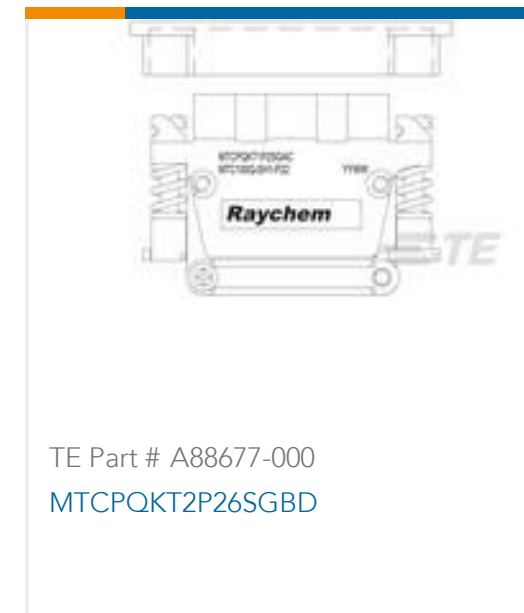
TE Part # E19737-000
MTCPOKT2P26SFDB



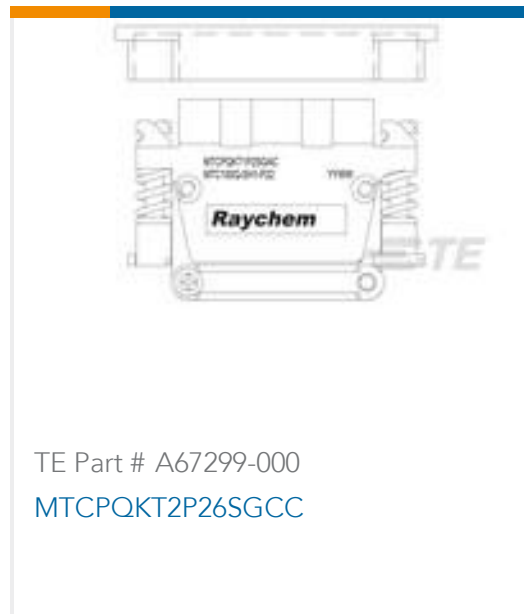
TE Part # C58136-000
MTCPOKT2P26SGAC



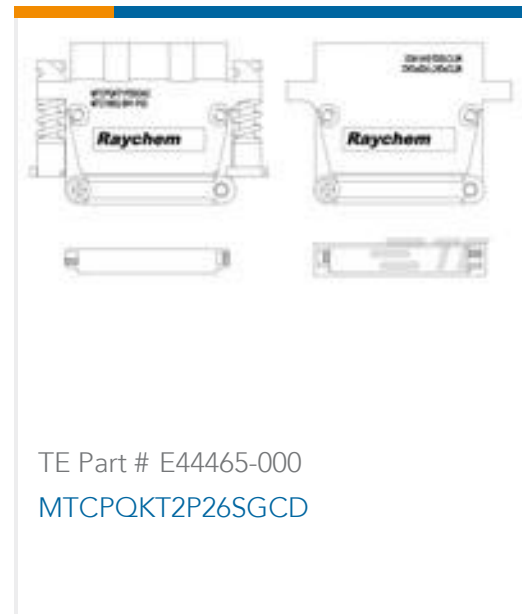
TE Part # C06136-000
MTCPOKT2P26SGAD



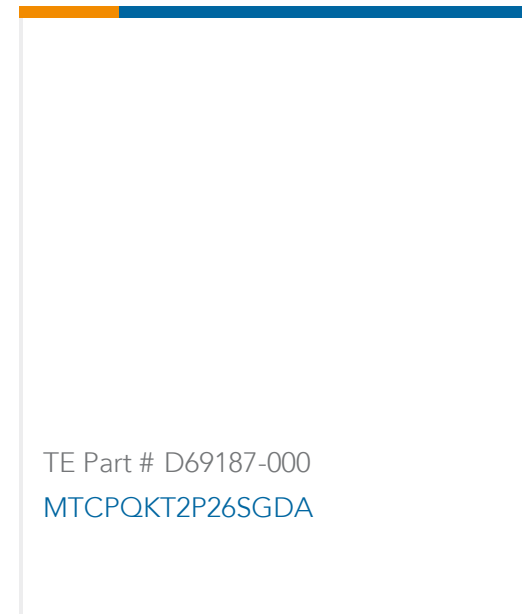
TE Part # A88677-000
MTCPOKT2P26SGBD



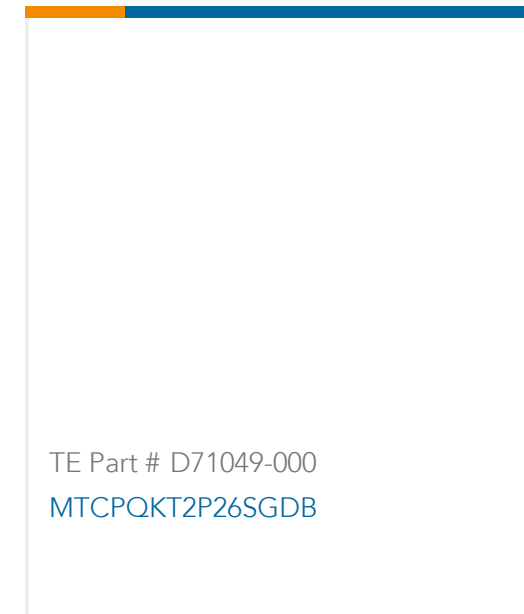
TE Part # A67299-000
MTCPOKT2P26SGCC



TE Part # E44465-000
MTCPOKT2P26SGCD



TE Part # D69187-000
MTCPOKT2P26SGDA



TE Part # D71049-000
MTCPOKT2P26SGDB

Customers Also Bought



TE Part #193844-1
PIN ASSY. 14 AWG



TE Part #34131
SPLICE,PG PARA 22-16



TE Part #953371-000
MTCP-122-20P



TE Part #555747-000
MTCP-122-20PQ2



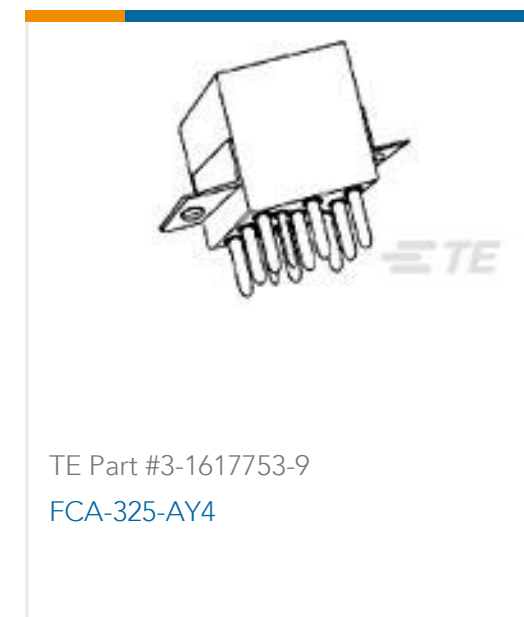
TE Part #621065-000
D-142-65



TE Part #A20589-000
CHA-0305



TE Part #494203-000
MTCP-122-20S



TE Part #3-1617753-9
FCA-325-AY4



TE Part #1-2008571-2
2 POS MICRO MNL, TOP LATCH, NA

Documents



Product Drawings

[CTA-0166](#)

English

CAD Files

[3D PDF](#)

3D

Customer View Model

[ENG_CVM_CVM_226335-000_J.2d_dxf.zip](#)

English

Customer View Model

[ENG_CVM_CVM_226335-000_J.3d_igs.zip](#)

English

Customer View Model

[ENG_CVM_CVM_226335-000_J.3d_stp.zip](#)

English

By downloading the CAD file I accept and agree to the [Terms and Conditions](#) of use.

Product Specifications

[MTC Quick-Disconnect Connectors with Removable Contacts](#)

English

[MTC Connectors with Removable Contacts and Jackscrew Coupling Hardware](#)

English