

6

5

4

3

2

1

D

C

B

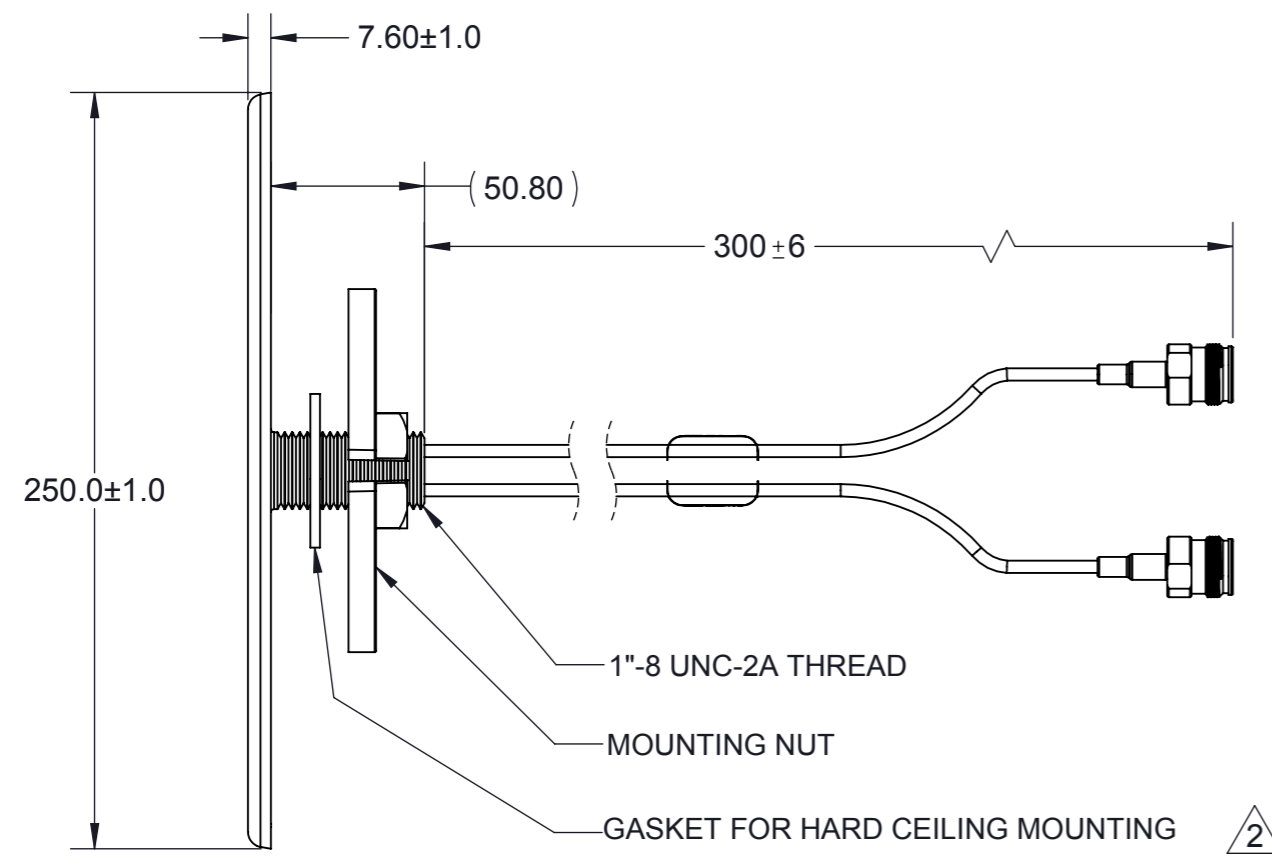
A

D

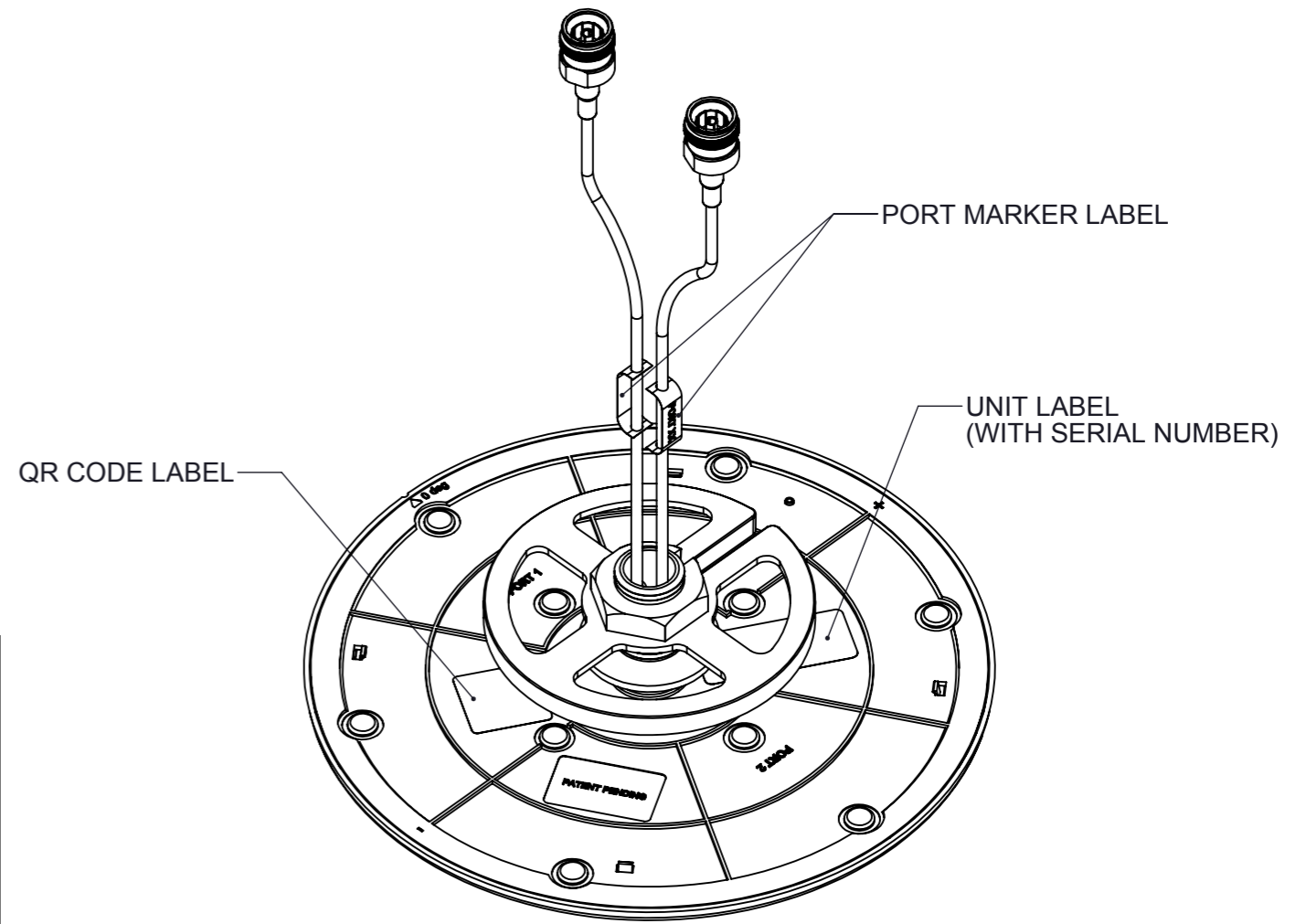
C

B

A



REVISIONS					
REV.	ECN#	ZONE	DESCRIPTION	CHANGED BY/DATE	APPROVED BY/DATE
1			INITIAL RELEASED	YS TAN 23MAY17	WT NG 23MAY17
2			ADD IN GASKET; REVISED SPECIFICATION TABLE	YS TAN 05JUN17	WT NG 05JUN17
F01			PRODUCTION RELEASED; REVISED SPECIFICATION TABLE	YS TAN 04AUG17	WT NG 04AUG17
F02	ECN-IAS-06336		REVISED PEAK GAIN FOR 2300-2500MHz FREQ. BAND; REVISED ISOLATION FOR 698-960MHz FREQ. BAND	YS TAN 10AUG17	WT NG 10AUG17



F02

PARAMETER	SPECIFICATION											
Part No	CFD69383P-30D43F											
Ports	2											
Frequency Bands, MHz	698-806	824-894	880-960	1350-1550	1690-1880	1850-1990	1910-2180	2300-2500	2500-2700	3300-4000		
Peak Gain, dBi (Max)	3.8	3.7	4.2	5.0	4.7	4.3	6.0	5.0	5.7	5.4		
VSWR, Max	< 1.5:1		< 2.0:1		< 1.8:1			< 2.0:1				
PIM, 3rd Order, 2 x 20W (Max), dBc	< -150				< -150							
Isolation, dB (Min)	> 18		> 13		> 15			> 25		> 28		
Nominal Impedance, Ω	50											
Polarization	Linear - Horizontal											
Azimuth Beam Width, °	360, Omnidirectional											
Max Power (Ambient 25°C/77°F), Watt	50											
Cable Length, cm/Connector	30/ 4.3-10, Female											
Antenna Dimension (Ht x Dia), mm	7.6 x 250											
Weight (Approximation), g	440											
Antenna Color	White											
Radome	PC, UL94-V0											
Operating Temperature, °C	-30 to +70											
Storage Temperature, °C	-40 to +85											
RoHS Compliance	YES											

MATERIAL: N/A		THIRD ANGLE PROJECTION			
FINISH: N/A		DO NOT SCALE DRAWING			
APPROVALS		DATE		TITLE: CFD69383P-30D43F MOUNTING & OUTLINE	
DRAWN BY	YS TAN	03APRL17			
ELEC. ENG.	CC SU	03APRL17			
MECH. ENG.	YS TAN	03APRL17			
MFG./OPS.		03APRL17		SIZE: A3 DWG. NO.: CFD69383P-30D43FMO REV: F02	
				SCALE: 2:5 PREVIOUS#: SHEET 1 OF 1	

UNLESS OTHERWISE NOTED, THIS DOCUMENT CONTAINS LAIRD CONFIDENTIAL INFORMATION. REPRODUCTION, USE, DISCLOSURE OR TRANSMITTAL OF ALL OR ANY PART OF THIS DOCUMENT IS PROHIBITED EXCEPT TO THE EXTENT APPROVED IN WRITING BY AN AUTHORIZED REPRESENTATIVE OF LAIRD. LAIRD RESERVES ALL RIGHTS UNDER PATENTS, TRADEMARKS, COPYRIGHTS AND TRADE SECRETS. COPYRIGHT, LAIRD 2017, ALL RIGHTS RESERVED.

6

5

4

3

2

1