



TAOGLAS®



Datasheet

433MHz ISM Band Terminal Antenna

Part No:
TI.10.0111

Features:

- SMA(M) Plug Connector
- Low Profile and Robust Handling
- 48.2mm Antenna Dimensions
- IP65 Rated
- RoHS and REACH Compliant

1. Introduction	3
2. Specifications	4
3. Antenna Characteristics	5
4. Radiation Patterns	7
5. Mechanical Drawing	9
6. Packaging	10
<hr/>	
Changelog	11

Taoglas makes no warranties based on the accuracy or completeness of the contents of this document and reserves the right to make changes to specifications and product descriptions at any time without notice. Taoglas reserves all rights to this document and the information contained herein. Reproduction, use or disclosure to third parties without express permission is strictly prohibited.



1. Introduction



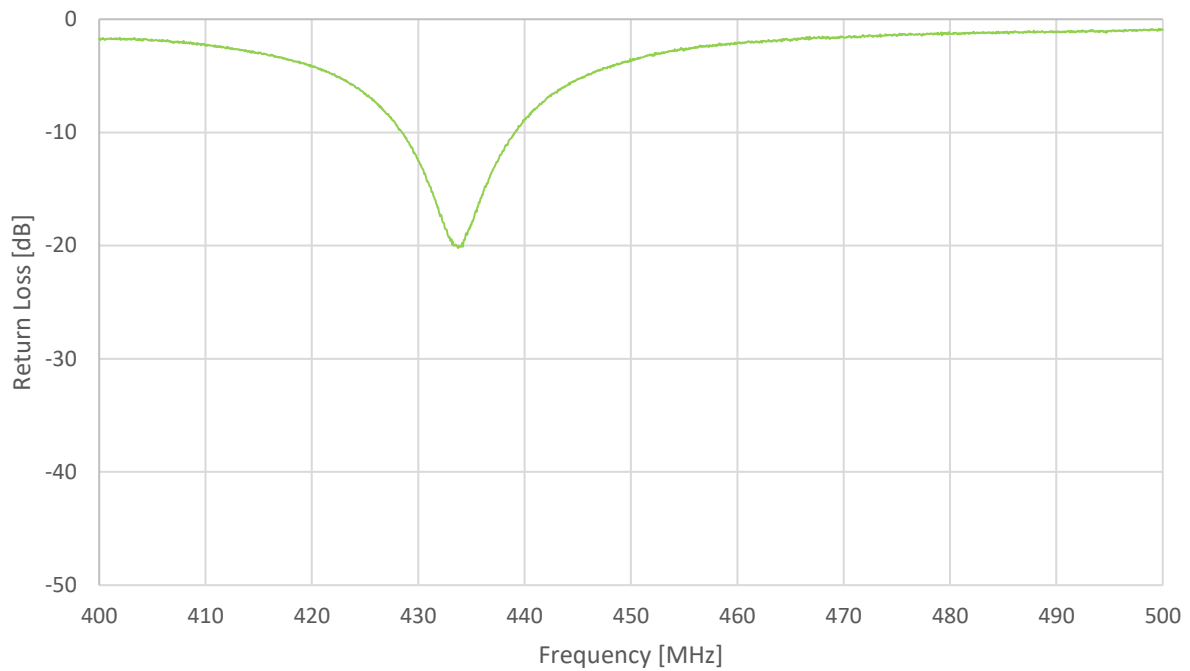
The TI.10 series are high performance 433MHz omni-directional antennas. The TI.10 terminal SMA plug mount antenna is ideal for mobile small form factor applications. At only 48.2mm in length Omni-directional with a peak gain 0dBi ensures constant reception and transmission. The antenna structure is designed for robust handling and the housing is made with TPE giving reliable performance in tough environments.

2. Specifications

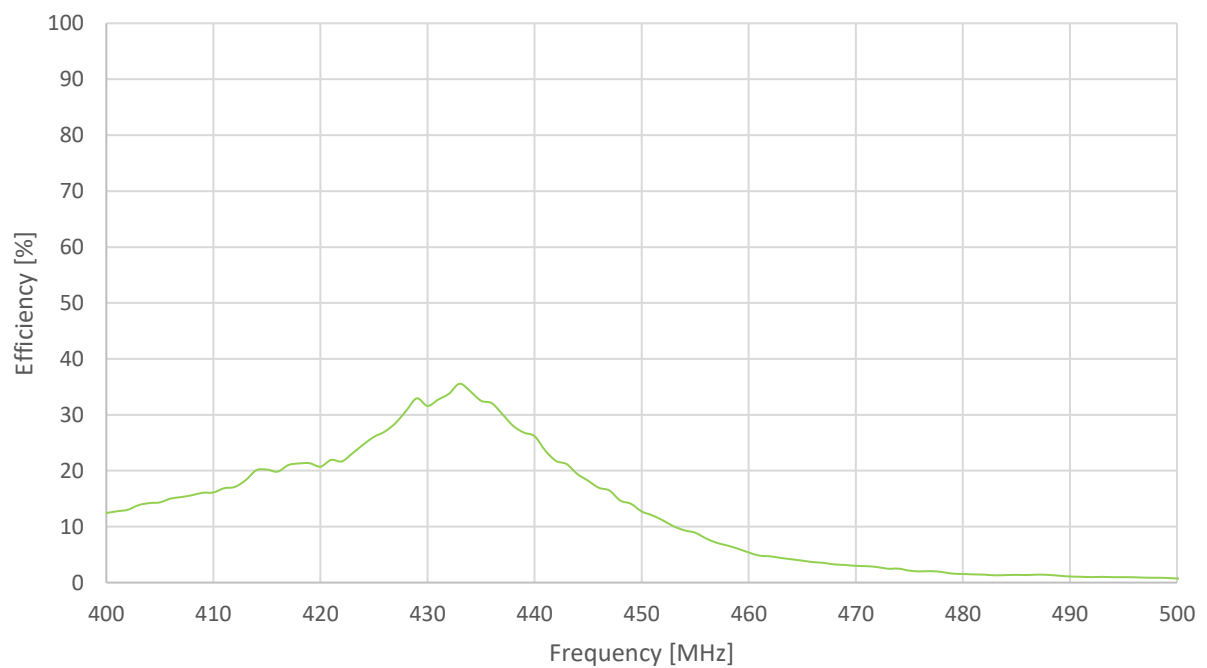
Electrical									
Band	Frequency (MHz)	Efficiency (%)	Average Gain (dB)	Peak Gain (dBi)	Radiation Pattern	Impedance	VSWR	Polarization	Power
ISM Band 433 MHz	433.05~434.79	36	-4.5	-1.4	Omni - Directional	50Ω	≤1.5:1	Linear	5W
Mechanical									
Dimensions	48.2mm X Ø8mm								
Housing	TPE								
Connector	SMA(M) plug								
Weight	8.5g								
Environmental									
Operation Temperature	-40°C to + 85°C								
Storage Temperature	-40°C to + 105°C								
Relative Humidity	40% to 95%								

3. Antenna Characteristics

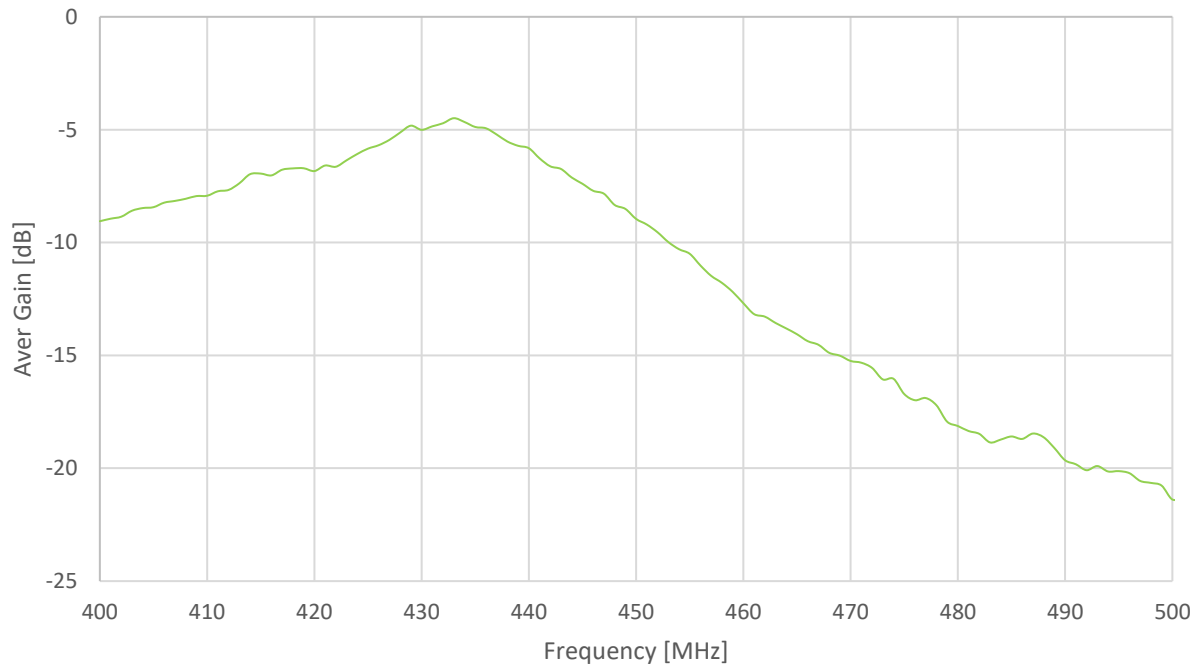
3.1 Return Loss



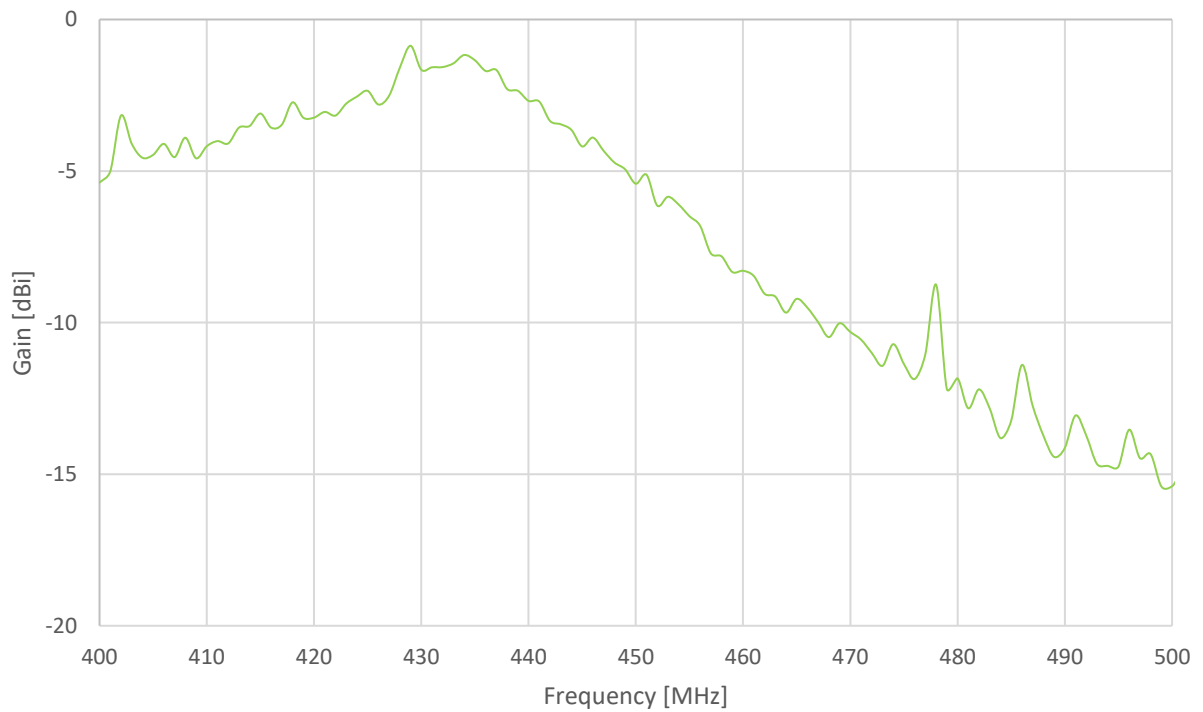
3.2 Efficiency



3.3 Average Gain

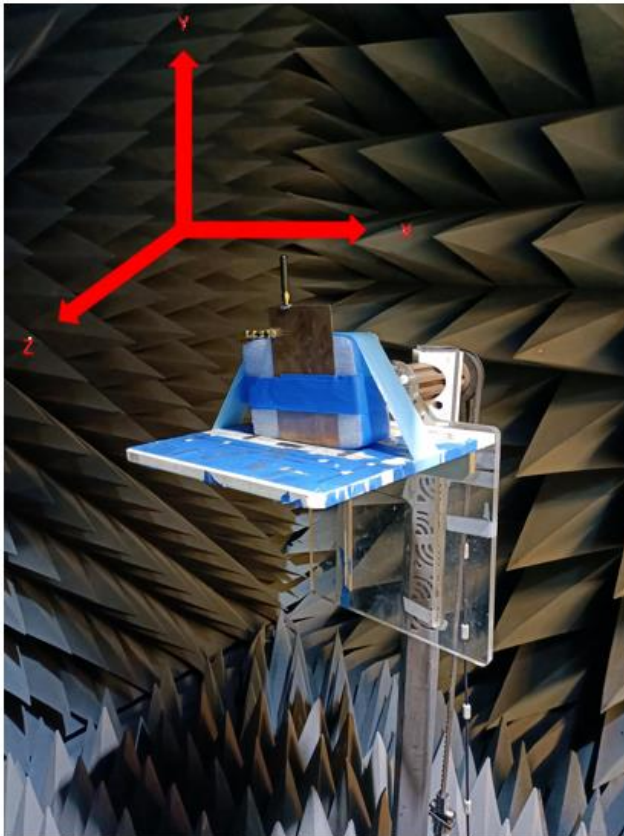


3.4 Peak Gain

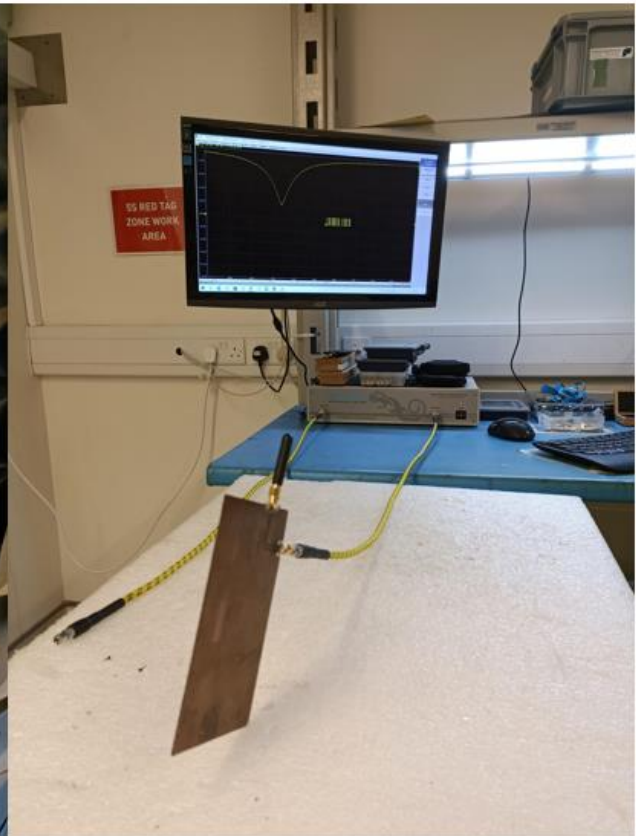


4. Radiation Patterns

4.1 Test Setup

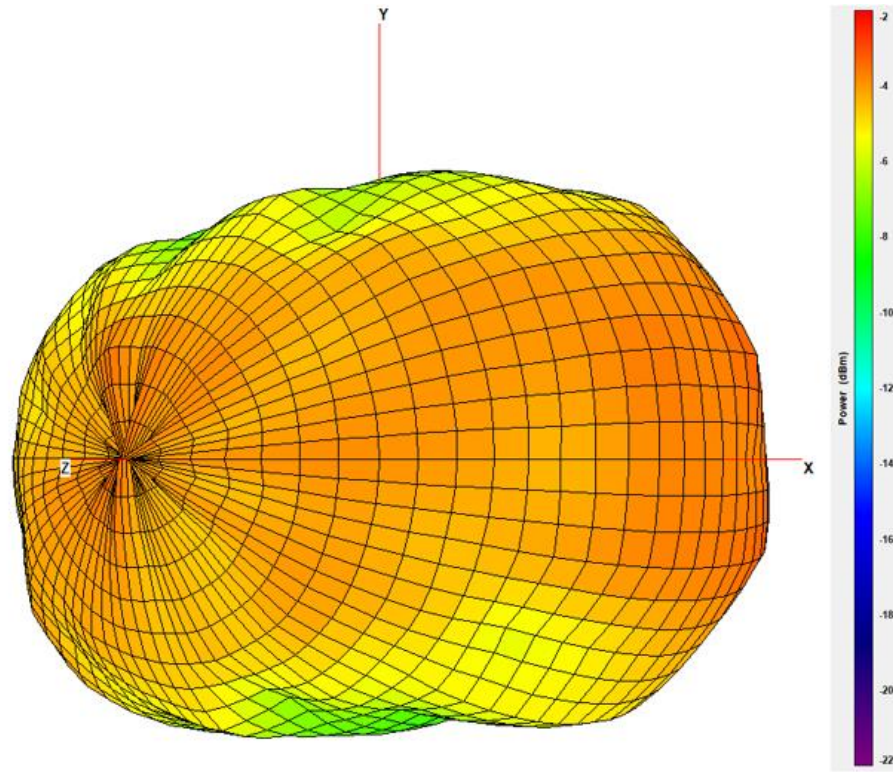


Chamber Setup



VNA Setup

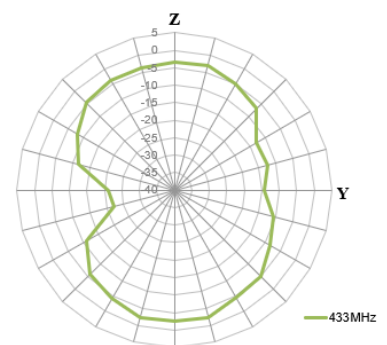
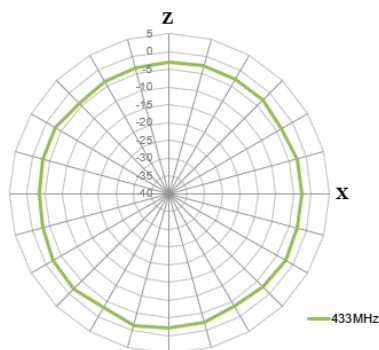
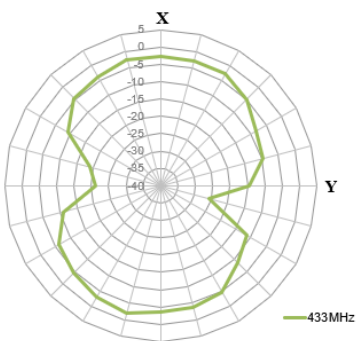
4.2 433MHz 3D and 2D Radiation Patterns



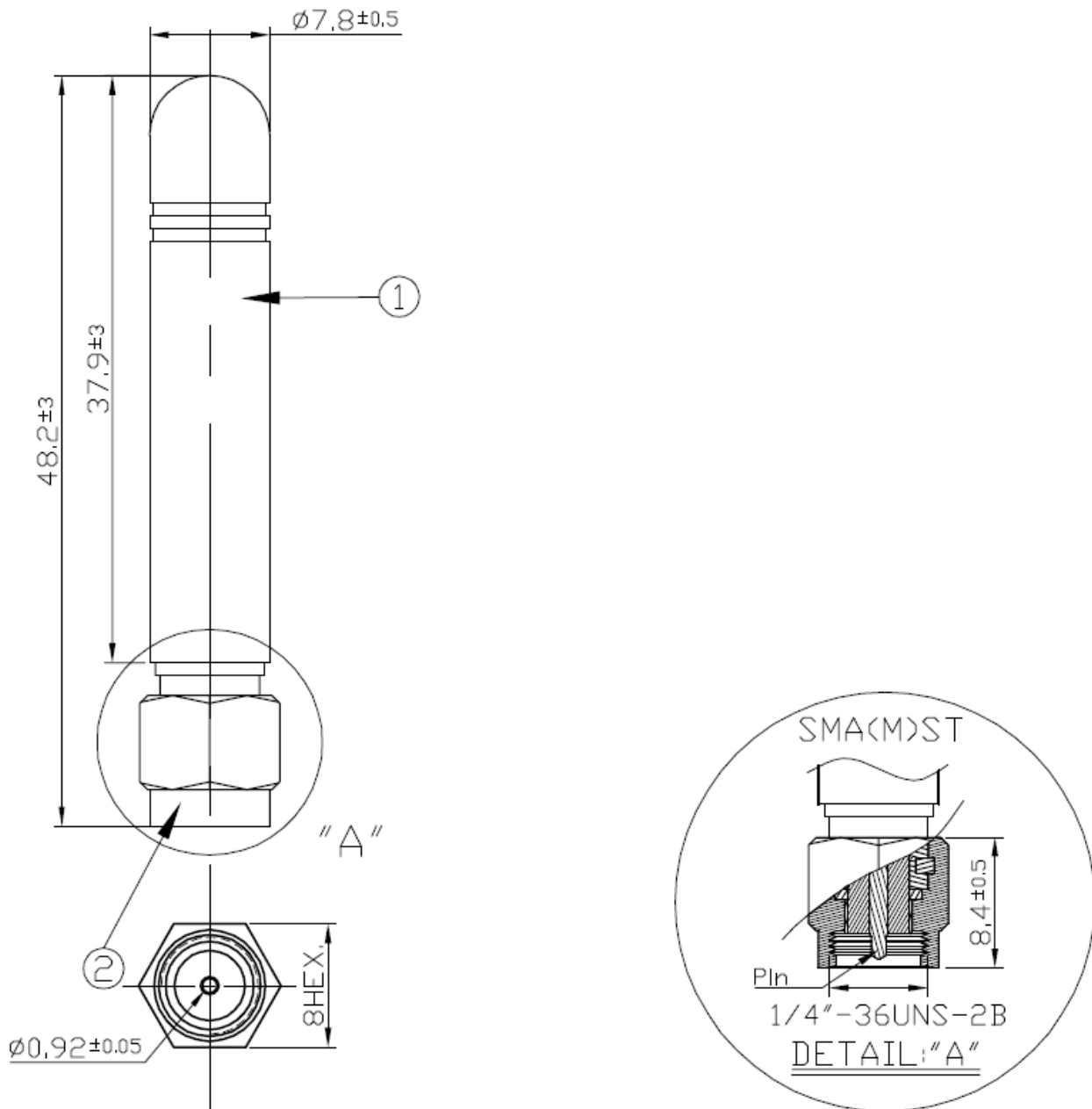
XY Plane

XZ Plane

YZ Plane



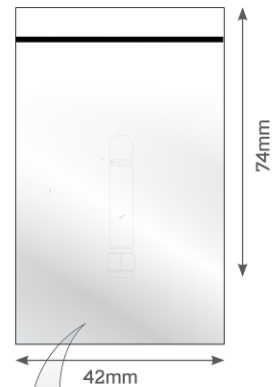
5. Mechanical Drawing (Units: mm)



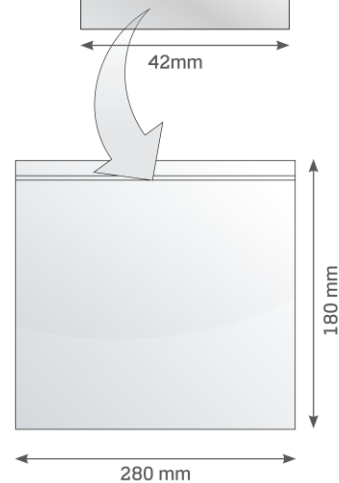
	Name	P/N	Material	Finish	QTY
①	Antenna Cover	000111K030002A	TPU	Black	1
②	SMA(M)ST	200211J000002A	Brass	Gold	1

6. Packaging

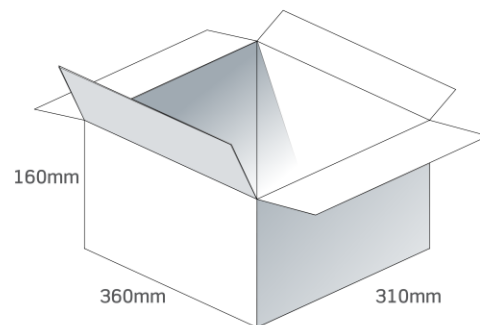
1 pcs TI.10.0111 per PE bag
 PE Bag Dimensions - 74 x 42mm
 Weight - 8g



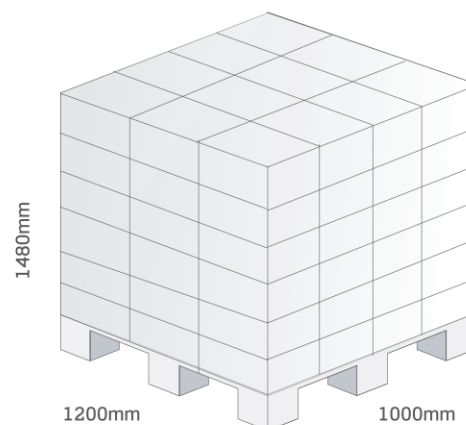
100 PE bags per large PE bags
 100 pcs TI.10.0111 per large PE bags
 Large PE bags Dimensions - 280 x 180mm
 Weight - 810g



15 Large PE bags per carton
 1500 pcs TI.10.0111 per carton
 Carton Dimensions - 360 x 310 x 160mm
 Weight - 12.5kg



Pallet Dimensions 1200*1000*1480mm
 72 Cartons per Pallet
 9 Cartons per layer
 8 Layers



Previous Revisions (Continued)



TAOGLAS®

www.taoglas.com

