

# ANT-2.4-LCW-RPS ✓ ACTIVE

TE Internal #: L9000081-01

Terminal/Duck Antenna, Single Band, Bluetooth / Zigbee / ISM,  
External Mount, Connector, RP-SMA, Omnidirectional, Single Port,  
Gain 0 < 3 dBi

[View on TE.com >](#)



## Antennas



Wireless Application: **Bluetooth, ISM, Zigbee**

Mounting Location: **External**

Mounting Type: **Connector**

Antenna Termination: **RP-SMA**

Antenna Type: **Terminal/Duck**

## Features

### Product Type Features

Antenna Product Type	Antenna
Antenna Termination	RP-SMA

### Configuration Features

Antenna Style	Whip
Mounting Location	External
Antenna Type	Terminal/Duck
Band Type	Single Band
Port Configuration	Single Port

### Electrical Characteristics

VSWR (Max)	<2.1:1
Impedance	50 $\Omega$

### Signal Characteristics

Gain (Max)	2.8 dB
Frequency Band	2400 – 2485 MHz
Nominal Frequency Range	2400 – 2500
Peak Gain	0 < 3 dBi

### Body Features

Product Weight	7.4 g [.26102 oz]
----------------	-------------------



### Mechanical Attachment

Polarization	Linear
Mounting Type	Connector

### Dimensions

Product Width	10 mm[.39 in]
Product Length	83.1 mm[3.27 in]
Product Height	0 mm[0 in]

### Operation/Application

Antenna Environment	Outdoor
Directionality	Omnidirectional

### Industry Standards

Wireless Application	Bluetooth, ISM, Zigbee
Primary Application	Bluetooth, ISM, Zigbee

### Product Compliance

[For compliance documentation, visit the product page on TE.com>](#)

EU RoHS Directive 2011/65/EU	Compliant with Exemptions
EU ELV Directive 2000/53/EC	Not Yet Reviewed
China RoHS 2 Directive MIIT Order No 32, 2016	Restricted Materials Above Threshold
EU REACH Regulation (EC) No. 1907/2006	Current ECHA Candidate List: JUNE 2023 (235) Not Yet Reviewed
Halogen Content	Not Yet Reviewed for halogen content
Solder Process Capability	Not reviewed for solder process capability

#### Product Compliance Disclaimer

This information is provided based on reasonable inquiry of our suppliers and represents our current actual knowledge based on the information they provided. This information is subject to change. The part numbers that TE has identified as EU RoHS compliant have a maximum concentration of 0.1% by weight in homogenous materials for lead, hexavalent chromium, mercury, PBB, PBDE, DBP, BBP, DEHP, DIBP, and 0.01% for cadmium, or qualify for an exemption to these limits as defined in the Annexes of Directive 2011/65/EU (RoHS2). Finished electrical and electronic equipment products will be CE marked as required by Directive 2011/65/EU. Components may not be CE marked. Additionally, the part numbers that TE has identified as EU ELV compliant have a maximum concentration of 0.1% by weight in homogenous materials for lead, hexavalent chromium, and mercury, and 0.01% for cadmium, or qualify for an exemption to these limits as defined in the Annexes of Directive 2000/53/EC (ELV). Regarding the REACH Regulations, TE's information on SVHC in articles for this part number is still based on the European Chemical Agency (ECHA) 'Guidance on requirements for substances in articles' (Version: 2, April 2011), applying the 0.1% weight on weight concentration threshold at the finished product level. TE is aware of the European Court of Justice ruling of September 10th, 2015 also known as O5A (Once An Article Always An Article) stating that, in case of 'complex object', the threshold for a SVHC must be applied to both the

product as a whole and simultaneously to each of the articles forming part of its composition. TE has evaluated this ruling based on the new ECHA "Guidance on requirements for substances in articles" (June 2017, version 4.0) and will be updating its statements accordingly.

## Compatible Parts



TE Part # CONREV SMA001-G  
RP-SMA Jack 50 Ohm PCB Through Hole



TE Part # CONREV SMA002-SMD-G  
RP-SMA RA Jack 50 Ohm PCB Surface Mount



TE Part # L9000251-01  
RP-SMA Jack 50 Ohm .062 PCB Edge Mount



TE Part # L9000254-01  
RP-SMA Jack 50 Ohm .031 PCB Edge Mount



TE Part # CONREV SMA008-G  
RP-SMA Jack 50 Ohm PCB Through Hole

## Customers Also Bought



TE Part # 2-292173-5  
CT BOX HDR H SMT 5P O/TAPE BLA



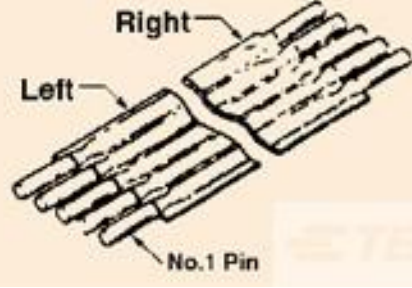
TE Part # 2-1879071-0  
THS50 4R7 5%



TE Part # 292156-5  
CT RELAY HDR ASSY FREE HANGING




TE Part # 282841-3  
TERMI-BLOK PCB MOUNT 3P. 5



TE Part # 7-6474640-4  
FSN-22.5A



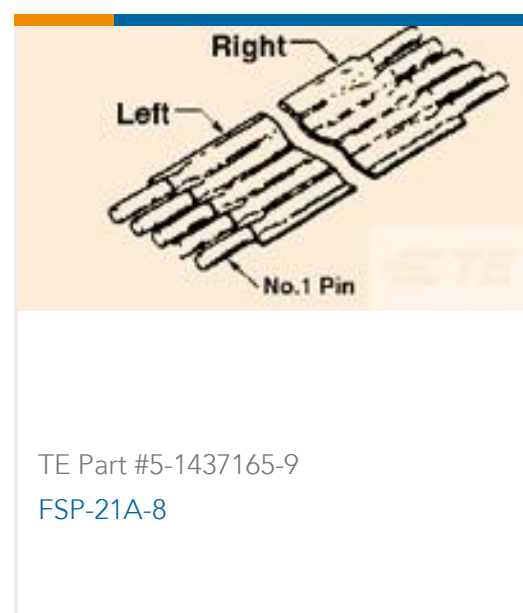
TE Part # L9000082-01  
Antenna Dipole 2.4GHz Tilt Swivel SMA



TE Part # ANT-916-CW-HWR-RPS  
Antenna 1/2 Wave Whip Swivel 916MHz RPS



TE Part # ANT-LTE-WS-SMA  
Antenna Blade NBIOT LTE-M Swivel SMA



## Documents

### Product Drawings

[Antenna Dipole 2.4GHz Tilt Swivel RPS](#)

English

### Datasheets & Catalog Pages

[ANT-2.4-LCW-ccc](#)

English

[Sub-6 Cellular LTE-5G NR Frequency Band Guide](#)

English

[Virtual Antenna](#)

English

[Microplatch Ground Plane Optimization](#)

English