

# ANT-2.4-FPC-SH100UF ✓ ACTIVE

TE Internal #: L9000068-01

Flexible PCB (FPC) Antenna, Single Band, ISM / Bluetooth / Zigbee,  
Internal/Embedded Mount, Adhesive, U.FL / MHF / MHF1,  
Omnidirectional, Single Port

[View on TE.com >](#)



## Antennas



Wireless Application: **Bluetooth, ISM, Zigbee**

Mounting Location: **Internal/Embedded**

Mounting Type: **Adhesive**

Antenna Termination: **MHF, MHF1, U.FL, UMCC**

Antenna Type: **Flexible PCB (FPC)**

## Features

### Product Type Features

Antenna Product Type	Antenna
Antenna Termination	MHF, MHF1, U.FL, UMCC

### Configuration Features

Mounting Location	Internal/Embedded
Antenna Type	Flexible PCB (FPC)
Band Type	Single Band
Port Configuration	Single Port

### Signal Characteristics

Nominal Frequency Range	2400 – 2500
Peak Gain	3 < 6 dBi

### Mechanical Attachment

Mounting Type	Adhesive
---------------	----------

### Operation/Application

Directionality	Omnidirectional
----------------	-----------------

### Industry Standards

Wireless Application	Bluetooth, ISM, Zigbee
Primary Application	Bluetooth, ISM, Zigbee



## Product Compliance

[For compliance documentation, visit the product page on TE.com>](#)

EU RoHS Directive 2011/65/EU	Compliant
EU ELV Directive 2000/53/EC	Not Yet Reviewed
China RoHS 2 Directive MIIT Order No 32, 2016	No Restricted Materials Above Threshold
EU REACH Regulation (EC) No. 1907/2006	Current ECHA Candidate List: JUNE 2023 (235) Candidate List Declared Against: JUNE 2023 (235) Does not contain REACH SVHC
Halogen Content	Low Bromine/Chlorine - Br and Cl < 900 ppm per homogenous material. Also BFR /CFR/PVC Free
Solder Process Capability	Not reviewed for solder process capability

### Product Compliance Disclaimer

This information is provided based on reasonable inquiry of our suppliers and represents our current actual knowledge based on the information they provided. This information is subject to change. The part numbers that TE has identified as EU RoHS compliant have a maximum concentration of 0.1% by weight in homogenous materials for lead, hexavalent chromium, mercury, PBB, PBDE, DBP, BBP, DEHP, DIBP, and 0.01% for cadmium, or qualify for an exemption to these limits as defined in the Annexes of Directive 2011/65/EU (RoHS2). Finished electrical and electronic equipment products will be CE marked as required by Directive 2011/65/EU. Components may not be CE marked. Additionally, the part numbers that TE has identified as EU ELV compliant have a maximum concentration of 0.1% by weight in homogenous materials for lead, hexavalent chromium, and mercury, and 0.01% for cadmium, or qualify for an exemption to these limits as defined in the Annexes of Directive 2000/53/EC (ELV). Regarding the REACH Regulations, TE's information on SVHC in articles for this part number is still based on the European Chemical Agency (ECHA) 'Guidance on requirements for substances in articles' (Version: 2, April 2011), applying the 0.1% weight on weight concentration threshold at the finished product level. TE is aware of the European Court of Justice ruling of September 10th, 2015 also known as O5A (Once An Article Always An Article) stating that, in case of 'complex object', the threshold for a SVHC must be applied to both the product as a whole and simultaneously to each of the articles forming part of its composition. TE has evaluated this ruling based on the new ECHA "Guidance on requirements for substances in articles" (June 2017, version 4.0) and will be updating its statements accordingly.

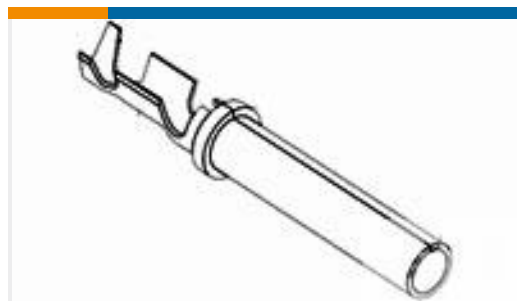
## Compatible Parts

 <p>TE Part # CONMHF1-SMD-G-T U.FL/MHF1 Jack 50 Ohm PCB Surface Mount</p>	 <p>TE Part # CONMHF1-SMD-T U.FL/MHF1 Jack 50 Ohm PCB Surface Mount</p>	 <p>TE Part # CONUFL001-SMD Conn UFL MHF Straight PCB Mount Jack</p>	 <p>TE Part # CONUFL001-SMD-T U.FL/MHF1 Jack 50 Ohm PCB Surface Mount</p>
--	--	---	--

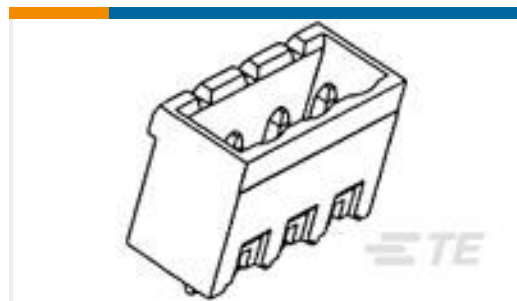
## Customers Also Bought



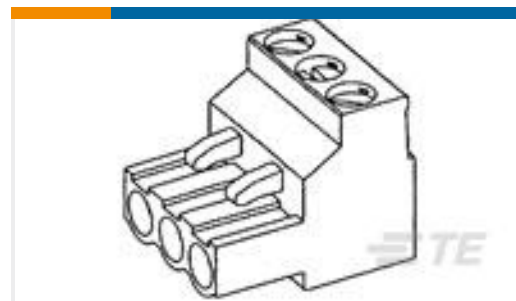
TE Part #2176230-8  
3522 3R3 5% 3W



TE Part #776493-2  
SOC, SF, SIZE 16, 18-20 AWG, NI/SN



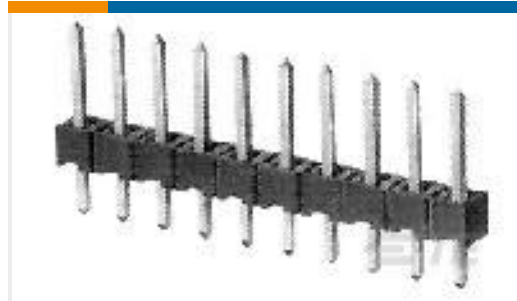
TE Part #796636-4  
4POS 5.08MM CE VRT HDR,TRM BLK



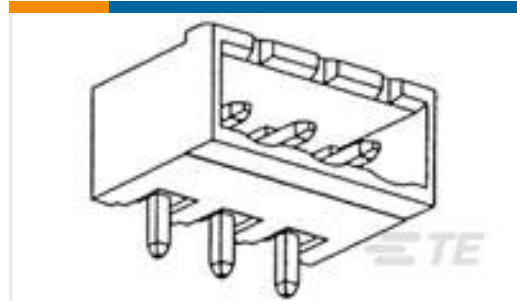
TE Part #796634-4  
4 POS 5.08MM R/A PLUG,TRM BLK



TE Part #826629-6  
06P AMPMODU II PIN HDR.



TE Part #826629-1  
AMPMODU II PIN HDR.1X01P



TE Part #796638-4  
4POS 5.08MM CE R/A HDR,TRM BLK



TE Part #ADP-BNCM-BNCF-T  
BNC Plug to BNC Jack (2) Tee



TE Part #L9000060-01  
Antenna 2.4 FPC SF 25x20 100 UFL



TE Part #HUM-A-900-PRO-CAS  
Module HUM-PRO-A 900MHz FHSS  
FM XCVR FCC

## Documents

### Product Drawings

[Antenna 2.4 FPC SH 25x20 100 UFL](#)

English

### Datasheets & Catalog Pages

[Flexible Embedded 2.4 GHz FPC Antennas](#)

English