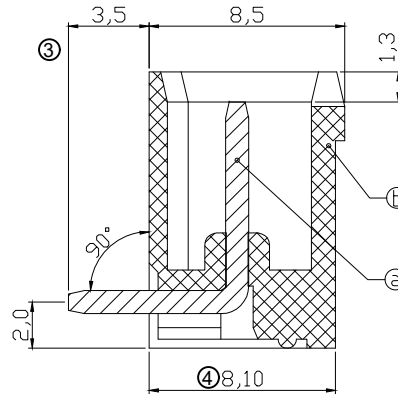
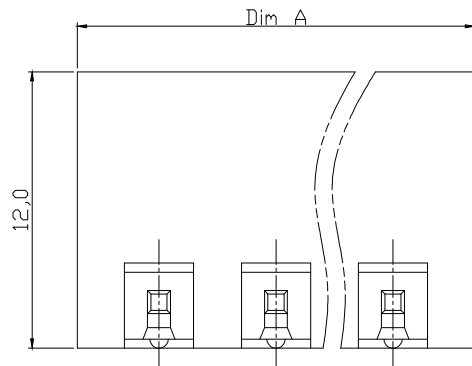


Recommended PCB LAYOUT

Material

- Item ⑥ Male contact pin: Copper Tin plated
- Item ① Terminal housing: Thermoplastic (UL94V-0)
A-TB508-OQxxCH: Green(RAL6018/T)
③ A-TB508-OQxxCH-BK: Black(RAL9005)

- ⑦ Electrical cULus
- Voltage rating: 300VAC
- Current rating: 20A
- Withstanding Voltage: 1.6KV
- Operating temperature: -40°C to +115°C
- Soldering temperature: 250°C±10°C/5 Sec
- Safety Approval:



④ DIMENSION

A	Nx5.08+2.0
B	(N-1)x5.08

N=number of poles

Poles	Tol(DIMA)	Tol(DIMB)
2-6P	±0.15	±0.15
7-12P	±0.25	±0.25
13-18P	±0.30	±0.30
19-24P	±0.40	±0.40

RoHS compliant
Unit: mm



Scale	Free	⑦	Update UL logo and notes	12.04.2022	Daniel		Date	Name	Customer-No.
TOLERANCE		⑥	Update to correct style	04.11.2016	Amy	Drawn	29.07.2009	Dean	ASSMANN WSW-No. ③ A-TB508-OQxxCH A-TB508-OQxxCH-BK
X.	±0.50	⑤	Add the UL File No.	07.04.2016	Winnie	Approved	12.04.2022	Daniel	
X.X	±0.30	④	Update the design	12.02.2015	Amy				
X.XX	±0.10	③	Update	18.10.2011	Lucas				Drawing-No. ASS 3602 CO rev07
DIM	TOL	②	Update	10.12.2009	Dean				
X.°	±1°	Id.	Modification	Date	Name				Replace
Angle	TOL								



Drawing-No. ASS 3602 CO rev07	
Replace	Sheet