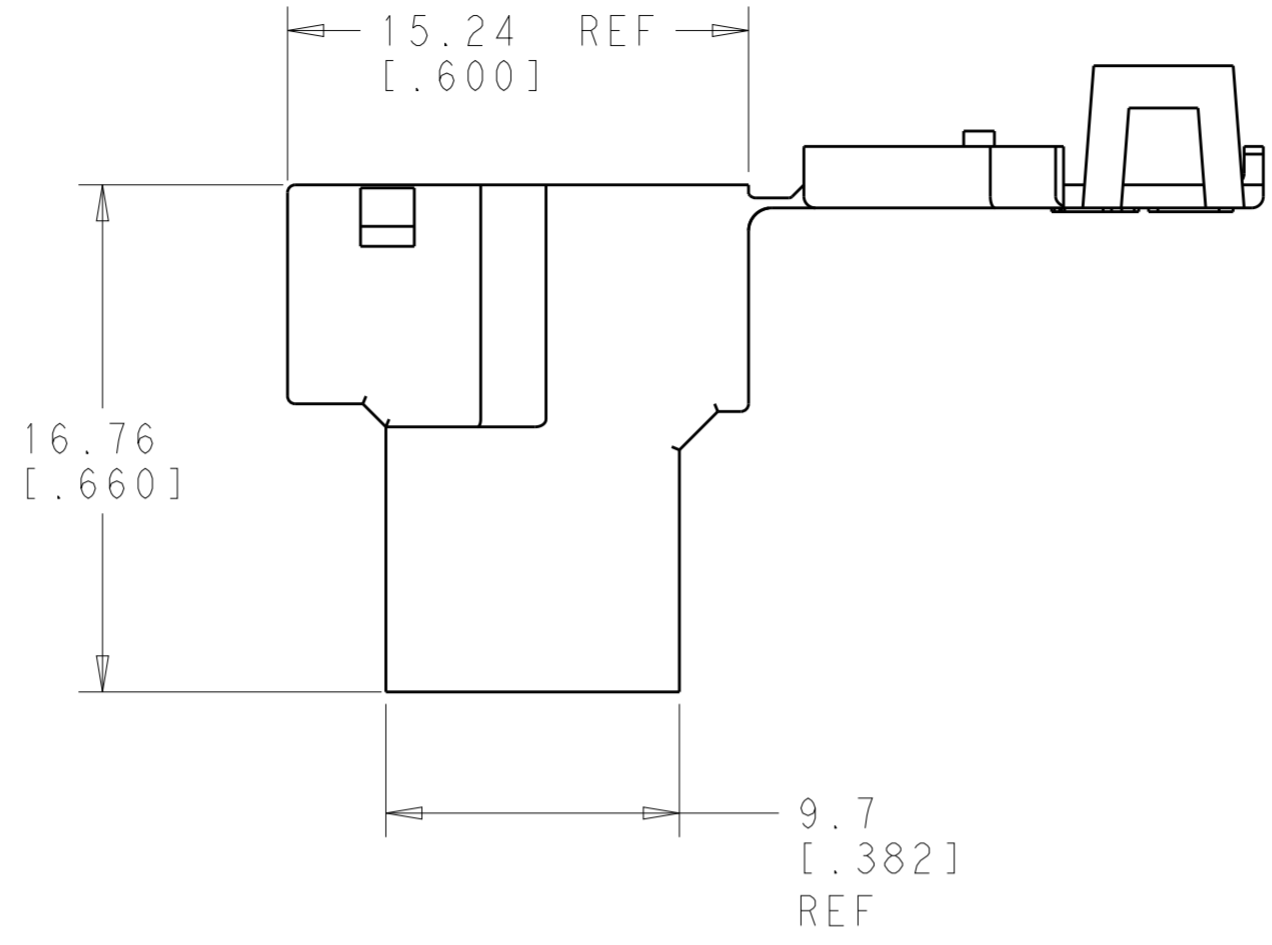
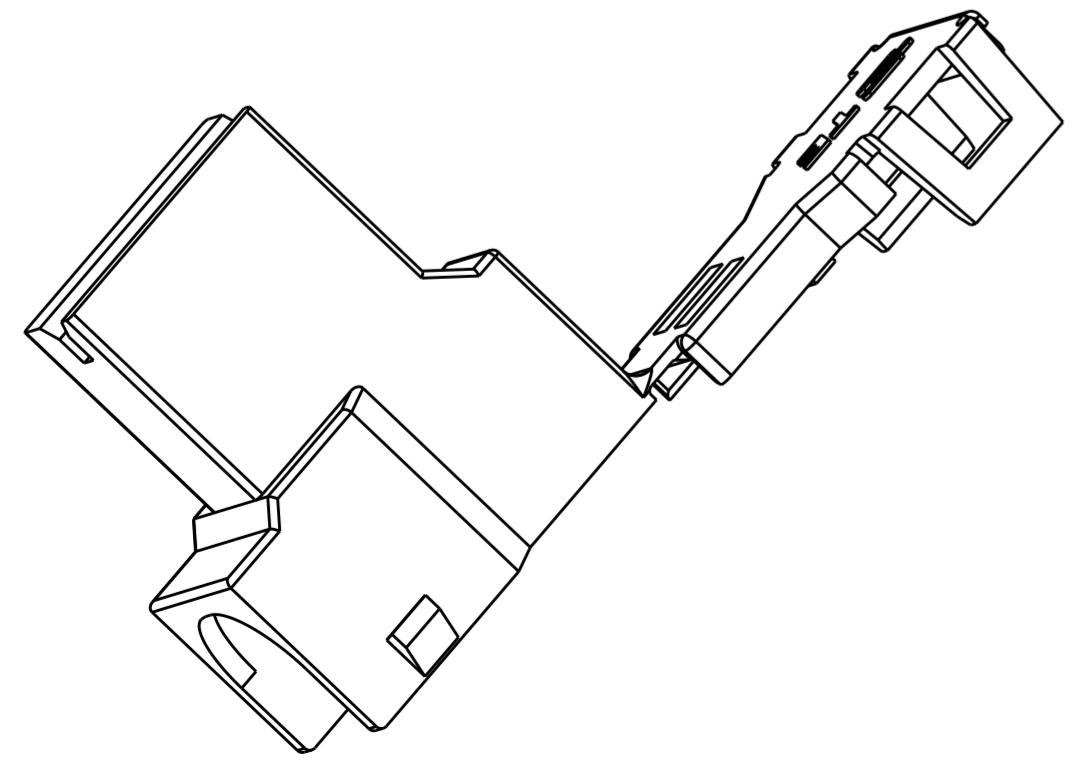
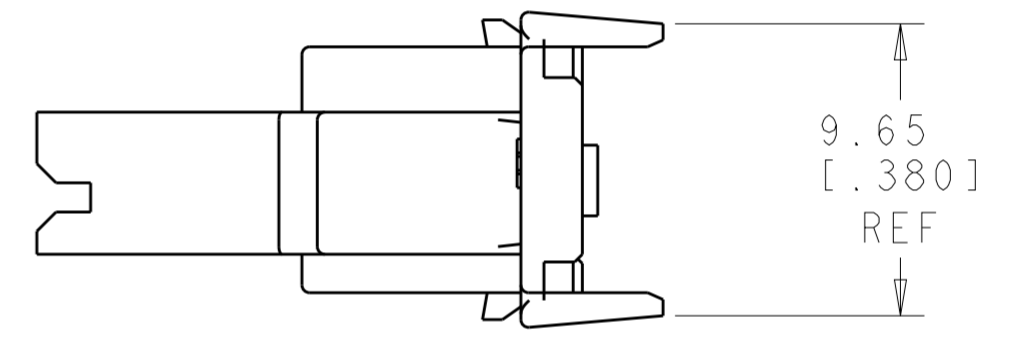
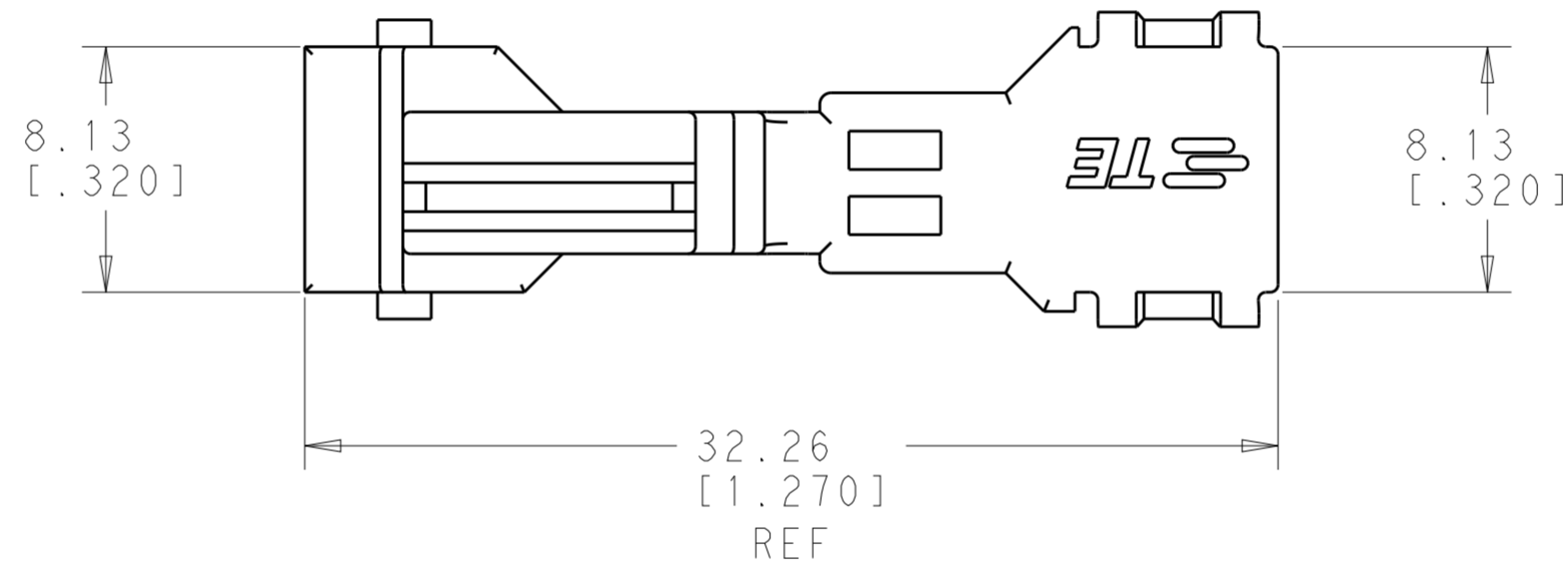
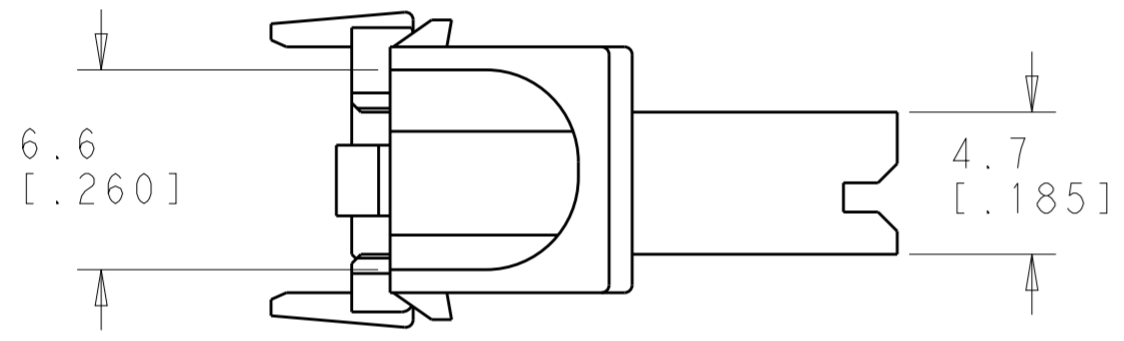


THIS DRAWING IS UNPUBLISHED. RELEASED FOR PUBLICATION 20
 © COPYRIGHT 20 BY - ALL RIGHTS RESERVED.

LOC	DIST	REVISIONS					
AF	50	P	LTR	DESCRIPTION	DATE	DWN	APVD
			B5	REVISED PER ECO-18-007263	09MAY2018	RS	DS



- ① MATERIAL -NATURAL, 6 NYLON, 150°C, V0
- ② MATERIAL -BLACK, 6 NYLON, 150°C, V0
- ③ MATERIAL -NATURAL, 66 NYLON, V2, GLOW WIRE MATERIAL
- ④ MATERIAL - NATURAL 66 NYLON V0, GLOW WIRE MATERIAL



④	1969507-9
③	1969507-4
②	1969507-3
①	1969507-2
MATERIAL	PART NO.

THIS DRAWING IS A CONTROLLED DOCUMENT.		DWN	JR RUTH	03APR12	STE TE Connectivity
DIMENSIONS: mm [INCHES]		CHK	PETE DESANTIS	03APR12	
TOLERANCES UNLESS OTHERWISE SPECIFIED:		APVD	PETE DESANTIS	03APR12	
0 PLC ± 1 PLC ± 2 PLC ±0.38 [.015] 3 PLC ± 4 PLC ± ANGLES ± FINISH		PRODUCT SPEC	NAME HOUSING, RECEPTACLE, FLAG FASTON, CLOSED BACK, .250 SERIES		
MATERIAL	SEE TABLE	APPLICATION SPEC	SIZE		RESTRICTED TO
		WEIGHT	CAGE CODE		
		CUSTOMER DRAWING	DRAWING NO		
		SCALE	SHEET		
		4:1	1 OF 1		REV B5