

1-66361-1 ✓ ACTIVE

AMP | AMP Type III+

TE Internal #: 1-66361-1

Pin Contact, Precious Metal, Size 16 Contact Size, 18 – 14 AWG

Wire Size, .8 – 2 mm<sup>2</sup> Wire Size, Crimp, Brass, Power & Signal, AMP

Type III+

[View on TE.com >](#)



Connectors > Contacts > Connector Contacts



Contact Type: **Pin**

Contact Mating Area Plating Material: **Precious Metal**

Wire Contact Termination Area Plating Material: **Tin**

Contact Size: **Size 16**

Wire Size: **18 – 14 AWG**

## Features

### Contact Features

Mating Pin Diameter	1.57 mm[.062 in]
Contact Underplating Material Thickness	1.27 µm[50 µin]
Wire Contact Termination Area Plating Thickness	1.27 µm[50 µin]
Wire Contact Termination Area Plating Material Finish	Bright
Contact Mating Area Plating Material Thickness	.76 µm[30 µin]
Contact Orientation	Straight
Contact Underplating Material	Nickel
Contact Type	Pin
Contact Mating Area Plating Material	Precious Metal
Wire Contact Termination Area Plating Material	Tin
Contact Size	Size 16
Contact Base Material	Brass
Contact Current Rating (Max)	13 A

### Termination Features



Termination Method to Wire & Cable	Crimp
------------------------------------	-------

Product Terminates To	Wire & Cable
-----------------------	--------------

**Mechanical Attachment**

Wire Insulation Support	With
-------------------------	------

**Dimensions**

Compatible Insulation Diameter Range	2.03 – 2.54 mm [.08 – .1 in]
--------------------------------------	------------------------------

Wire Size	.8 – 2 mm <sup>2</sup>
-----------	------------------------

**Usage Conditions**

Operating Temperature Range	-55 – 90 °C [-67 – 194 °F]
-----------------------------	----------------------------

**Operation/Application**

Circuit Application	Power & Signal
---------------------	----------------

**Identification Marking**

Contact Color Code	Violet
--------------------	--------

**Packaging Features**

Packaging Quantity	100
--------------------	-----

Packaging Method	Box, Loose Piece
------------------	------------------

**Product Compliance**

[For compliance documentation, visit the product page on TE.com>](#)

EU RoHS Directive 2011/65/EU	Compliant
------------------------------	-----------

EU ELV Directive 2000/53/EC	Compliant
-----------------------------	-----------

China RoHS 2 Directive MIIT Order No 32, 2016	No Restricted Materials Above Threshold
---	---

EU REACH Regulation (EC) No. 1907/2006	Current ECHA Candidate List: JUNE 2023 (235) Candidate List Declared Against: JUNE 2023 (235) Does not contain REACH SVHC
--	---

Halogen Content	Low Halogen - Br, Cl, F, I < 900 ppm per homogenous material. Also BFR/CFR/PVC Free
-----------------	---

Solder Process Capability	Not applicable for solder process capability
---------------------------	--

Product Compliance Disclaimer

This information is provided based on reasonable inquiry of our suppliers and represents our current actual knowledge based on the information they provided. This information is subject to change. The part numbers that TE has identified as EU RoHS compliant have a maximum concentration of 0.1% by weight in homogenous materials for lead, hexavalent

chromium, mercury, PBB, PBDE, DBP, BBP, DEHP, DIBP, and 0.01% for cadmium, or qualify for an exemption to these limits as defined in the Annexes of Directive 2011/65/EU (RoHS2). Finished electrical and electronic equipment products will be CE marked as required by Directive 2011/65/EU. Components may not be CE marked. Additionally, the part numbers that TE has identified as EU ELV compliant have a maximum concentration of 0.1% by weight in homogenous materials for lead, hexavalent chromium, and mercury, and 0.01% for cadmium, or qualify for an exemption to these limits as defined in the Annexes of Directive 2000/53/EC (ELV). Regarding the REACH Regulation, the information TE provides on SVHC in articles for this part number is based on the latest European Chemicals Agency (ECHA) 'Guidance on requirements for substances in articles' posted at this URL: <https://echa.europa.eu/guidance-documents/guidance-on-reach>

## Compatible Parts



TE Part # 91519-1  
CCII TYPE III+ PIN SKT 18-14 ASSY



TE Part # 200893-2  
INSERTION TOOL CONT




TE Part # 539972-1  
EXTRACTION TOOL




TE Part # 305183  
EXTRACT TOOL TYPE 2 20-16

## Also in the Series | AMP Type III+



Connector Contacts(409)



Insertion & Extraction Tools(4)

## Customers Also Bought



TE Part #206060-1  
CPC PLUG ASSEMBLY SIZE 11-4



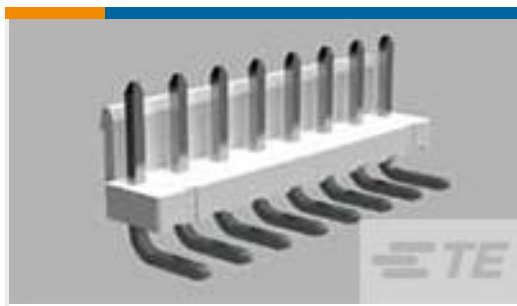
TE Part #103653-9  
10 MTE SHRD PIN HSG SR LATCH



TE Part #66590-4  
TYPE VI SKT, MULTI-MATE, L.P.



TE Part #66594-4  
TYPE VI SKT, MULTI-MATE, L.P.



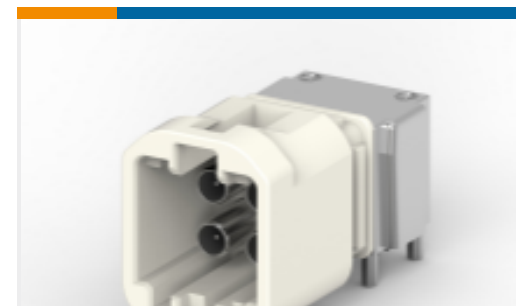
TE Part #1744428-8  
3.96 EP HDR ASSY 8P R/A, GW



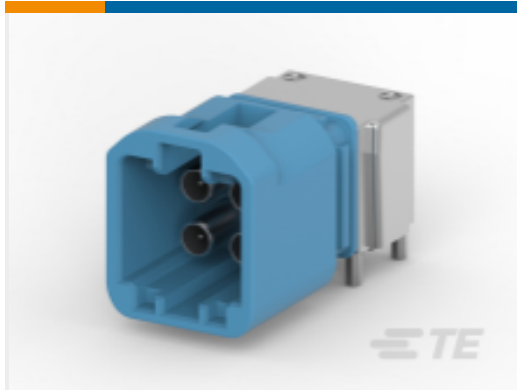
TE Part #770672-6  
UMNL PIN 30-26 AUNI/PHBZ L/P



TE Part #2098377-1  
20P PLUG ASSEMBLY UNSEALED  
HYBRID A-KEY



TE Part #2304168-2  
4P MATE-AX, HDR ASSY, 90 DEG, COD  
B



TE Part #2304168-3  
4P MATE-AX, HDR ASSY, 90 DEG, COD  
C



TE Part #1-1546415-1  
ETHERNET RJ-11 BLKHD PASSTHRU

## Documents

### Product Drawings

III+ PIN, 18-14, 30AU/FL, SMPACK

English

### CAD Files

Customer View Model

[ENG\\_CVM\\_CVM\\_1-66361-1\\_G.2d\\_dxf.zip](#)

English

3D PDF

3D

Customer View Model

[ENG\\_CVM\\_CVM\\_1-66361-1\\_G.3d\\_igs.zip](#)

English

Customer View Model

[ENG\\_CVM\\_CVM\\_1-66361-1\\_G.3d\\_stp.zip](#)

English

By downloading the CAD file I accept and agree to the [Terms and Conditions](#) of use.

### Product Specifications

[Engineering Report](#)

English

### Instruction Sheets

[Instruction Sheet \(U.S.\)](#)

Japanese

[Instruction Sheet \(U.S.\)](#)

English

1-66361-1

Pin Contact, Precious Metal, Size 16 Contact Size, 18 – 14 AWG Wire Size, .8 – 2 mm<sup>2</sup>  
Wire Size, Crimp, Brass, Power & Signal, AMP Type III+

