

1-1703543-0 ✓ ACTIVE

AMP | Timer Connector System

TE Internal #: 1-1703543-0

Housing for Male Terminals, Wire-to-Wire, 2 Position, .236 in [6 mm] Centerline, Sealable, Brown, Wire & Cable, Power, Timer Connector System

[View on TE.com >](#)



Connectors > Automotive Connectors > Automotive Housings > Timer Connector Housing



Connector System: **Wire-to-Wire**

Number of Positions: **2**

Connector & Housing Type: **Housing for Male Terminals**

Centerline (Pitch): **6 mm [.236 in]**

Sealable: **Yes**

[All Timer Connector Housing \(525\)](#)

Features

Product Type Features

Mixed & Hybrid Connector	No
Connector Shape	Rectangular
Connector System	Wire-to-Wire
Connector & Housing Type	Housing for Male Terminals
Sealable	Yes
Connector & Contact Terminates To	Wire & Cable
Primary Locking Feature	On the Terminal

Configuration Features

Number of Positions	2
Number of Rows	1

Electrical Characteristics

Operating Voltage	12 VDC
Nominal Voltage Architecture	12 V, 24 V

Body Features

Cable Exit Angle	180°
Primary Product Color	Brown
Connector & Keying Code	I



Contact Features

Contact Size	2.8mm
Contact Type	Tab
Contact Current Rating (Max)	30 A

Mechanical Attachment

Terminal Position Assurance	Yes
Strain Relief	Without
Mating Alignment Type	Keyed
Mating Alignment	With
Connector Mounting Type	Cable Mount (Free-Hanging)

Housing Features

Housing Material	PBT GF
Centerline (Pitch)	6 mm [.236 in]

Dimensions

Connector Height	17.1 mm [.673 in]
Product Width	48.5 mm [1.909 in]
Product Length	21.8 mm [.858 in]

Usage Conditions

Operating Temperature (Max)	130 °C [266 °F]
Operating Temperature Range	-40 – 130 °C [-40 – 266 °F]

Operation/Application

Circuit Application	Power
---------------------	-------

Packaging Features

Packaging Method	Package
------------------	---------

Other

Serviceable	Yes
Connector Position Assurance Capable	No

Product Compliance

For compliance documentation, visit the product page on TE.com>

EU RoHS Directive 2011/65/EU	Compliant
------------------------------	-----------



EU ELV Directive 2000/53/EC	Compliant
China RoHS 2 Directive MIIT Order No 32, 2016	No Restricted Materials Above Threshold
EU REACH Regulation (EC) No. 1907/2006	Current ECHA Candidate List: JUNE 2023 (235) Candidate List Declared Against: JUNE 2023 (235) Does not contain REACH SVHC
Halogen Content	Low Halogen - Br, Cl, F, I < 900 ppm per homogenous material. Also BFR/CFR/PVC Free
Solder Process Capability	Not applicable for solder process capability

Product Compliance Disclaimer

This information is provided based on reasonable inquiry of our suppliers and represents our current actual knowledge based on the information they provided. This information is subject to change. The part numbers that TE has identified as EU RoHS compliant have a maximum concentration of 0.1% by weight in homogenous materials for lead, hexavalent chromium, mercury, PBB, PBDE, DBP, BBP, DEHP, DIBP, and 0.01% for cadmium, or qualify for an exemption to these limits as defined in the Annexes of Directive 2011/65/EU (RoHS2). Finished electrical and electronic equipment products will be CE marked as required by Directive 2011/65/EU. Components may not be CE marked. Additionally, the part numbers that TE has identified as EU ELV compliant have a maximum concentration of 0.1% by weight in homogenous materials for lead, hexavalent chromium, and mercury, and 0.01% for cadmium, or qualify for an exemption to these limits as defined in the Annexes of Directive 2000/53/EC (ELV). Regarding the REACH Regulation, the information TE provides on SVHC in articles for this part number is based on the latest European Chemicals Agency (ECHA) 'Guidance on requirements for substances in articles' posted at this URL: <https://echa.europa.eu/guidance-documents/guidance-on-reach>

Compatible Parts



TE Part # 1-1355200-1
MCP2,8BU-GEH ASSY2P



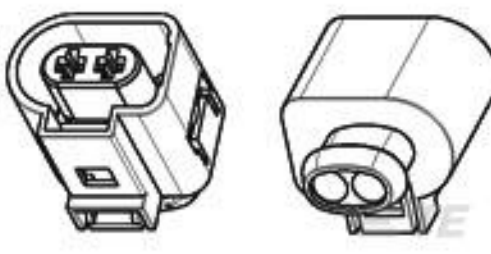
TE Part # 1-1579007-4
EXTRACTION TOOL



TE Part # 1-1579007-1
EXTRACTION TOOL



TE Part # 963294-1
SINGLE WIRE SEAL INSULATION DI



TE Part # 493989-1
HSG, 2 POSN. JPT ASSY



TE Part # 2-964300-1
TAB A 2.8x0.8 CONTACT CF SWS Sn



TE Part # 1-964945-1
VERRIEGLUNG F966867

Also in the Series | Timer Connector System



Automotive Connector Caps & Covers (10)



Automotive Connector Locks & Position Assurance(14)



Automotive Housings(210)



Automotive Terminals(137)



Connector Seals & Cavity Plugs(31)



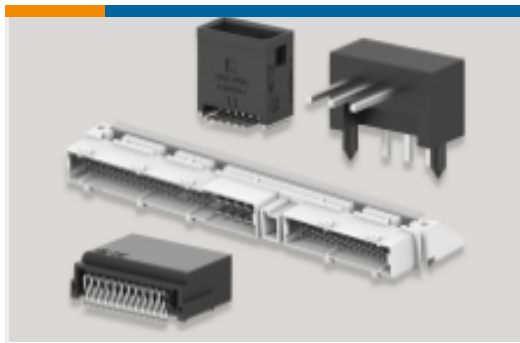
Crimp Terminal Housings(13)



Insertion & Extraction Tools(18)



Other Automotive Connector Accessories(1)



PCB Headers & Receptacles(77)

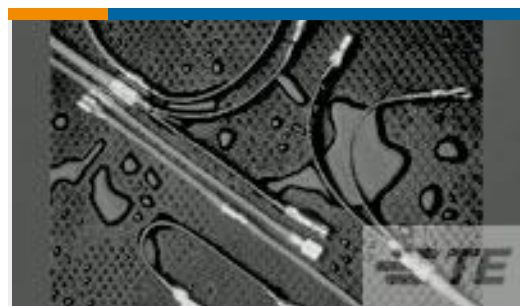


Quick Disconnects(4)

Customers Also Bought



TE Part #7-967570-3
MQS, CONNECTOR HOUSING



TE Part #765793-000
B-106-1802



TE Part #58522-1
PRO-CRMPR II TOOL & DIE



TE Part #927773-1
JPT REC 2.8 Contact SRC Sn



TE Part #1-1703498-1
2POS, MCON 1.2 LL TAB SEALED
COD A



TE Part #3-1904117-5
V23134J2165X538-EV-CBOX



TE Part #4-1579018-0
EXTRACTION TOOL



TE Part #282240-1
MICRO RELAY HOUSING

Documents



Product Drawings

[2POS,TAB 2.8X0.8,TAB HSG,ASSY](#)

English

CAD Files

Customer View Model

[ENG_CVM_CVM_1-1703543-0_A.2d_dxf.zip](#)

English

3D PDF

3D

Customer View Model

[ENG_CVM_CVM_1-1703543-0_A.3d_igs.zip](#)

English

Customer View Model

[ENG_CVM_CVM_1-1703543-0_A.3d_stp.zip](#)

English

By downloading the CAD file I accept and agree to the [Terms and Conditions](#) of use.

Datasheets & Catalog Pages

[Timer Interconnection System](#)

English