

1703998-1 ✓ ACTIVE

AMP | LEAVYSEAL

TE Internal #: 1703998-1

Housing for Female Terminals, Wire-to-Device / Wire-to-Board, 92
Position, .157 in [4 mm] Centerline, Sealable, Black, Signal,
LEAVYSEAL

[View on TE.com >](#)



[Connectors](#) > [Automotive Connectors](#) > [Automotive Housings](#) > [LEAVYSEAL Housings](#)



Connector System: **Wire-to-Board, Wire-to-Device**

Number of Positions: **92**

Connector & Housing Type: **Housing for Female Terminals**

Centerline (Pitch): **4 mm [.157 in]**

Sealable: **Yes**

[All LEAVYSEAL Housings \(64\)](#)

Features

Product Type Features

Mixed & Hybrid Connector	No
Connector Shape	Rectangular
Connector System	Wire-to-Board, Wire-to-Device
Connector & Housing Type	Housing for Female Terminals
Sealable	Yes
Primary Locking Feature	On the Terminal

Configuration Features

Number of Positions	92
Number of Rows	4

Electrical Characteristics

Operating Voltage	36 VDC
Nominal Voltage Architecture	12 V, 24 V

Body Features

Cable Exit Angle	90°
Primary Product Color	Black
Connector & Keying Code	A



Contact Features

Contact Size	1.5K
Contact Type	Receptacle
Mating Tab Width	1.6 mm[.063 in]
Contact Current Rating (Max)	20 A

Mechanical Attachment

Terminal Position Assurance	Yes
Strain Relief	With
Mating Alignment Type	Keyed
Mating Alignment	With
Connector Mounting Type	Cable Mount (Free-Hanging)

Housing Features

Housing Material	PBT GF
Centerline (Pitch)	4 mm[.157 in]

Dimensions

Connector Height	50.2 mm[1.976 in]
Product Width	44.15 mm[1.738 in]
Product Length	135.8 mm[5.346 in]
Row-to-Row Spacing	4 mm[.157 in]

Usage Conditions

Operating Temperature (Max)	70 °C, 75 °C, 80 °C, 85 °C, 90 °C, 100 °C, 105 °C, 110 °C, 120 °C[158 °F][167 °F][176 °F][185 °F][194 °F][212 °F][221 °F][230 °F][248 °F]
Operating Temperature Range	-40 – 120 °C[-40 – 248 °F]

Operation/Application

Circuit Application	Signal
---------------------	--------

Industry Standards

Degree of Protection	IP67
UL Flammability Rating	UL 94HB

Packaging Features

Packaging Quantity	64
Packaging Method	Box



Other

Serviceable	Yes
Connector Position Assurance Capable	No

Product Compliance


[For compliance documentation, visit the product page on TE.com>](#)

EU RoHS Directive 2011/65/EU	Compliant
EU ELV Directive 2000/53/EC	Compliant
China RoHS 2 Directive MIIT Order No 32, 2016	No Restricted Materials Above Threshold
EU REACH Regulation (EC) No. 1907/2006	Current ECHA Candidate List: JUNE 2023 (235) Candidate List Declared Against: JUNE 2023 (235) Does not contain REACH SVHC
Halogen Content	BFR/CFR/PVC Free, but Br/Cl >900 ppm in other sources.
Solder Process Capability	Not applicable for solder process capability

Product Compliance Disclaimer

This information is provided based on reasonable inquiry of our suppliers and represents our current actual knowledge based on the information they provided. This information is subject to change. The part numbers that TE has identified as EU RoHS compliant have a maximum concentration of 0.1% by weight in homogenous materials for lead, hexavalent chromium, mercury, PBB, PBDE, DBP, BBP, DEHP, DIBP, and 0.01% for cadmium, or qualify for an exemption to these limits as defined in the Annexes of Directive 2011/65/EU (RoHS2). Finished electrical and electronic equipment products will be CE marked as required by Directive 2011/65/EU. Components may not be CE marked. Additionally, the part numbers that TE has identified as EU ELV compliant have a maximum concentration of 0.1% by weight in homogenous materials for lead, hexavalent chromium, and mercury, and 0.01% for cadmium, or qualify for an exemption to these limits as defined in the Annexes of Directive 2000/53/EC (ELV). Regarding the REACH Regulation, the information TE provides on SVHC in articles for this part number is based on the latest European Chemicals Agency (ECHA) 'Guidance on requirements for substances in articles' posted at this URL: <https://echa.europa.eu/guidance-documents/guidance-on-reach>

Compatible Parts



TE Part # CAT-L489-H342
LEAVYSEAL Headers



TE Part # 964972-1
EINZELLEITERDICHTNG



TE Part # 1703997-1
COVER,90,DEGREE



TE Part # CAT-AM705-T273
AMP MCP, RECEPTACLE AND TAB

Also in the Series | LEAVYSEAL



Automotive Connector Caps & Covers (17)



Automotive Housings(79)



Insertion & Extraction Tools(5)

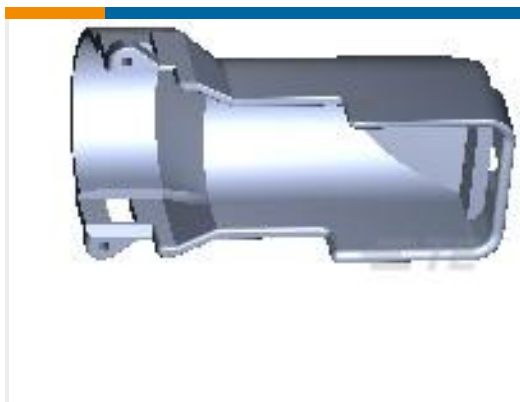


Other Automotive Connector Accessories(15)



PCB Headers & Receptacles(16)

Customers Also Bought



TE Part #9-1394050-1
COVER F.21P REC-HSG



TE Part #1718705-1
SINGLE WIRE SEAL,COLLAR DIA 2,



TE Part #5-1703998-1
LEAVYSEAL Housings



TE Part #2-967402-1
2,5MM ST-GH ASSY 4P



TE Part #AS012-35PA
RECEPT.2 HOLE MNT.TYPE 0



TE Part #AS012-35PN
RECEPT.2 HOLE MNT.TYPE 0



TE Part #AS214-19PN
RECEPT.BOX MNTG.TYPE 2



TE Part #ATM396-14
AS-14 NUTPLATE

Documents

Product Drawings

[92POS,AMP MCP1.5K,SOCK HSG,ASSY,SEALED](#)

English

CAD Files

[Customer View Model](#)

[ENG_CVM_CVM_1703998-1_B.2d_dxf.zip](#)

English

[3D PDF](#)



3D

Customer View Model

[ENG_CVM_CVM_1703998-1_B.3d_igs.zip](#)

English

Customer View Model

[ENG_CVM_CVM_1703998-1_B.3d_stp.zip](#)

English

By downloading the CAD file I accept and agree to the [Terms and Conditions](#) of use.

Datasheets & Catalog Pages

[ICT Terminals and Connectors Catalogue](#)

English

Product Specifications

[Application Specification](#)

German