

5-962886-1 ✓ ACTIVE



MQS

TE Internal #: 5-962886-1

Automotive Terminals, Tab, Mating Tab Width .63 mm [.025 in], Tab Thickness .63 mm [.025 in], 24 – 20 AWG Wire Size, .2 – .5 mm² Wire Size, MQS

[View on TE.com >](#)

Terminals & Splices > Automotive Terminals > MQS, RECEPTACLE AND TAB



Terminal Type: **Tab**

Mating Tab Width: .63 mm [.025 in]

Mating Tab Thickness: .63 mm [.025 in]

Terminal Transmits: 0 – 24 A (Low Power)

Wire Size: 24 – 20 AWG

[All MQS, RECEPTACLE AND TAB \(108\)](#)

Features

Product Type Features

| | |
|-------------------------|---------------|
| Receptacle Style | 180° |
| Sealable | Yes |
| Primary Locking Feature | Locking Lance |

Body Features

| | |
|--------------------|------------------------|
| Terminal Seal Type | Single Wire Seal (SWS) |
|--------------------|------------------------|

Contact Features

| | |
|--|------------------|
| Contact Size | .63mm |
| Contact Fabrication | Stamped & Formed |
| Wire Contact Termination Area Plating Material | Tin |
| Typical Current Rating | 7.5 A |
| Crimp Type | F-Crimp |
| Terminal Type | Tab |
| Mating Tab Width | .63 mm[.025 in] |
| Mating Tab Thickness | .63 mm[.025 in] |
| Interface Plating | Tin (Sn) |

Termination Features



| | |
|------------------------------------|-------|
| Termination Method to Wire & Cable | Crimp |
|------------------------------------|-------|

| | |
|-----------------------|------|
| Product Terminates To | Wire |
|-----------------------|------|

Dimensions

| | |
|--------------------------------------|-------------------------------|
| Compatible Insulation Diameter Range | 1.1 – 1.6 mm [.043 – .063 in] |
|--------------------------------------|-------------------------------|

| | |
|-----------|-------------------------|
| Wire Size | .2 – .5 mm ² |
|-----------|-------------------------|

| | |
|------------------|--|
| Wire Size Search | 20 AWG, 21 AWG, 22 AWG, 23 AWG, 24 AWG |
|------------------|--|

Usage Conditions

| | |
|-------------------|-------------|
| Insulation Option | Uninsulated |
|-------------------|-------------|

| | |
|-----------------------------|--|
| Operating Temperature (Max) | 80 °C, 85 °C, 90 °C, 100 °C, 105 °C, 110 °C, 120 °C [176 °F][185 °F][194 °F][212 °F][221 °F][230 °F][248 °F] |
|-----------------------------|--|

| | |
|-----------------------------|-----------------------------|
| Operating Temperature Range | -40 – 120 °C [-40 – 248 °F] |
|-----------------------------|-----------------------------|

Operation/Application

| | |
|------------------------------------|--------|
| Compatible With Wire Base Material | Copper |
|------------------------------------|--------|

Industry Standards

| | |
|---|-------|
| Compatible With Agency/Standards Products | LV214 |
|---|-------|

Packaging Features

| | |
|--------------------|------|
| Packaging Quantity | 9000 |
|--------------------|------|

| | |
|------------------|------|
| Packaging Method | Reel |
|------------------|------|

Other

| | |
|--------------------|----------------------|
| Terminal Transmits | 0 – 24 A (Low Power) |
|--------------------|----------------------|

Product Compliance

[For compliance documentation, visit the product page on TE.com>](#)

| | |
|------------------------------|-----------|
| EU RoHS Directive 2011/65/EU | Compliant |
|------------------------------|-----------|

| | |
|-----------------------------|-----------|
| EU ELV Directive 2000/53/EC | Compliant |
|-----------------------------|-----------|

| | |
|---|---|
| China RoHS 2 Directive MIIT Order No 32, 2016 | No Restricted Materials Above Threshold |
|---|---|

| | |
|--|---|
| EU REACH Regulation (EC) No. 1907/2006 | Current ECHA Candidate List: JUNE 2023 (235) Candidate List Declared Against: JUNE 2023 (235) Does not contain REACH SVHC |
|--|---|

| | |
|-----------------|--|
| Halogen Content | Low Halogen - Br, Cl, F, I < 900 ppm per homogenous material. Also BFR/CFR/PVC |
|-----------------|--|

Free

Solder Process Capability

Not reviewed for solder process capability

Product Compliance Disclaimer

This information is provided based on reasonable inquiry of our suppliers and represents our current actual knowledge based on the information they provided. This information is subject to change. The part numbers that TE has identified as EU RoHS compliant have a maximum concentration of 0.1% by weight in homogenous materials for lead, hexavalent chromium, mercury, PBB, PBDE, DBP, BBP, DEHP, DIBP, and 0.01% for cadmium, or qualify for an exemption to these limits as defined in the Annexes of Directive 2011/65/EU (RoHS2). Finished electrical and electronic equipment products will be CE marked as required by Directive 2011/65/EU. Components may not be CE marked. Additionally, the part numbers that TE has identified as EU ELV compliant have a maximum concentration of 0.1% by weight in homogenous materials for lead, hexavalent chromium, and mercury, and 0.01% for cadmium, or qualify for an exemption to these limits as defined in the Annexes of Directive 2000/53/EC (ELV). Regarding the REACH Regulation, the information TE provides on SVHC in articles for this part number is based on the latest European Chemicals Agency (ECHA) 'Guidance on requirements for substances in articles' posted at this URL: <https://echa.europa.eu/guidance-documents/guidance-on-reach>

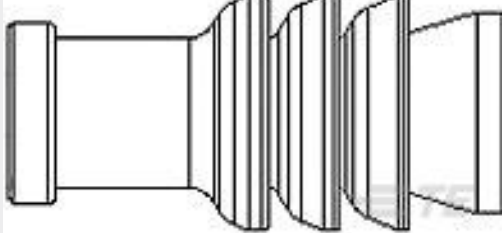
Compatible Parts



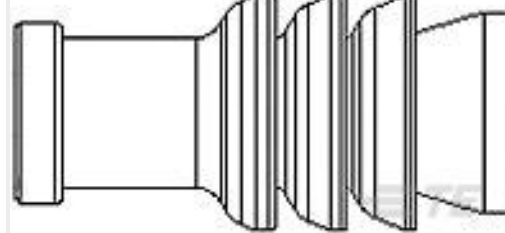
TE Part # CAT-M8793-CH8172
MQS, CONNECTOR HOUSING



TE Part # 6-1579007-1
EXTRACTION TOOL



TE Part # 963142-2
SWS, MQS, CVTY DIA, 4.0, GRY



TE Part # 967067-2
MQS EINZELLEITDICHT



TE Part # 6-1579008-9
LOCKING TOOL



TE Part # 7-1579007-9
EXTRACTION TOOL



TE Part # 963728-1
MQS PIN CONTACT SWS



TE Part # 2151104-1
OCEAN_2.0_APPLICATOR-S-055F114O



KIT
REPRESENTATION ONLY

TE Part # 7-2151104-7
OCEAN_2.0_SPARE_PART_KIT-055F114O



TE Part # 8-1579007-4
EXTRACTION TOOL



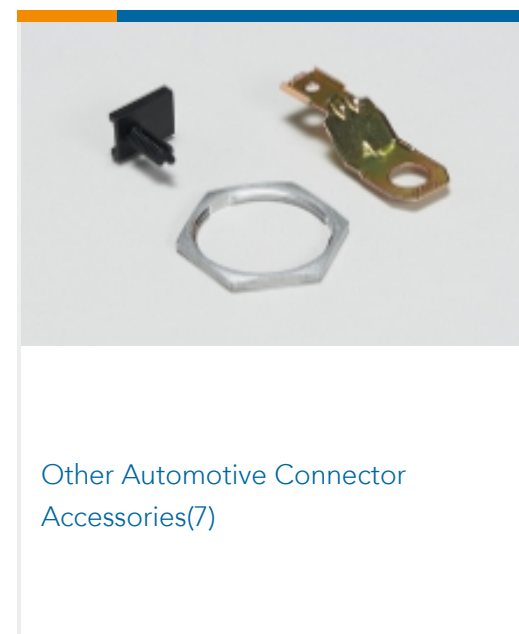
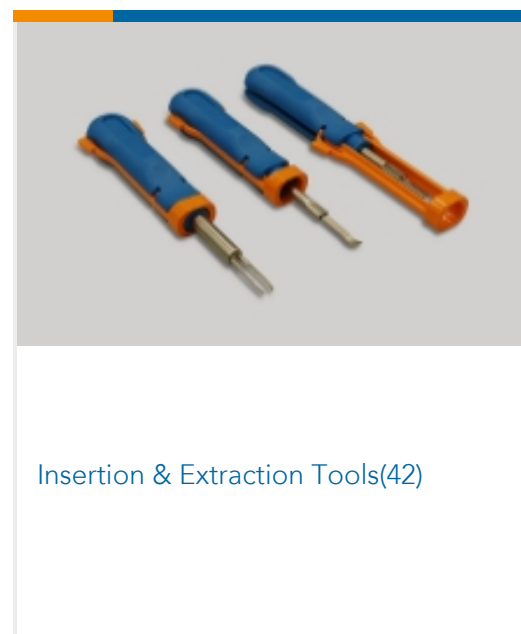
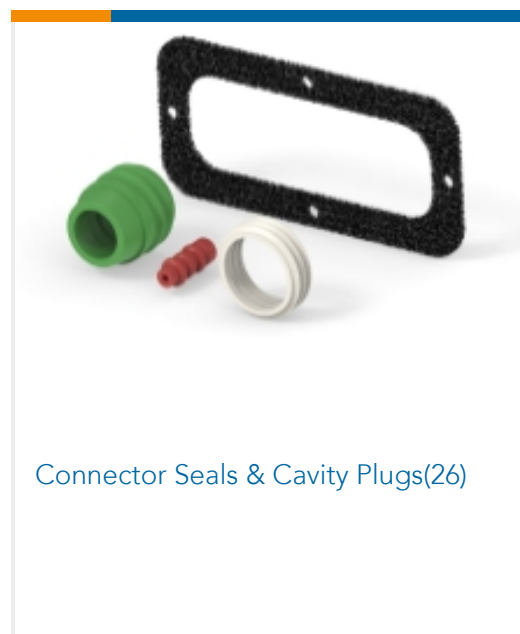
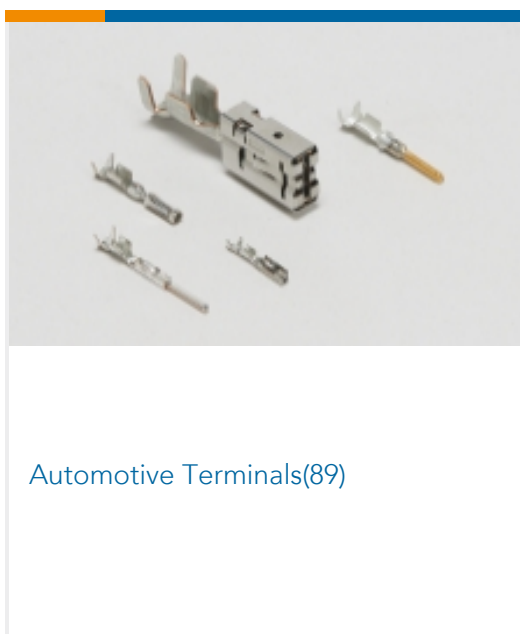
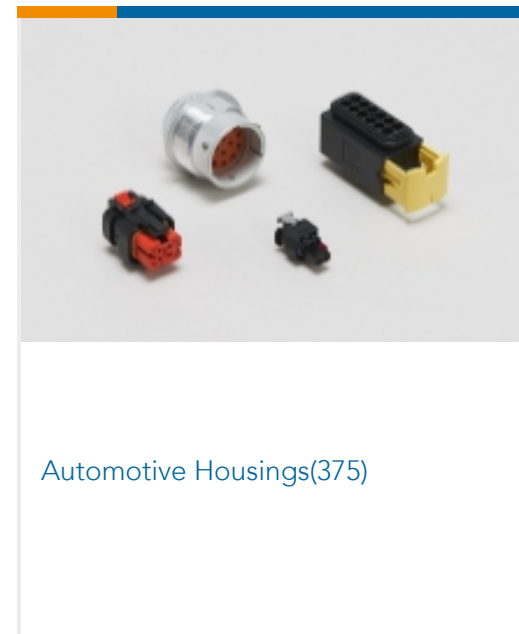
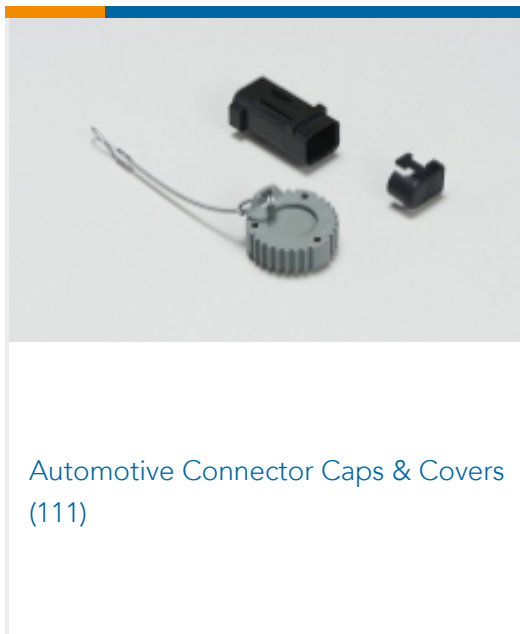
TE Part # 1-1579018-5
EXTRACTION TOOL



TE Part # 1-967067-1
MQS SGL WIRE SEAL



Also in the Series | **MQS**



Customers Also Bought



Documents

Product Drawings

MQS0,63 Sn tab LL EDS 0,2-0,5

English

CAD Files

Customer View Model

[ENG_CVM_CVM_5-962886-1_N.2d_dxf.zip](#)

English

3D PDF

3D

Customer View Model

[ENG_CVM_CVM_5-962886-1_N.3d_igs.zip](#)

English

Customer View Model

[ENG_CVM_CVM_5-962886-1_N.3d_stp.zip](#)

English

By downloading the CAD file I accept and agree to the [Terms and Conditions](#) of use.

Datasheets & Catalog Pages



Micro Quadlok Interconnection System (MQS)

English

Product Specifications

Application Specification

English

Application Specification

German

Application Specification

English