

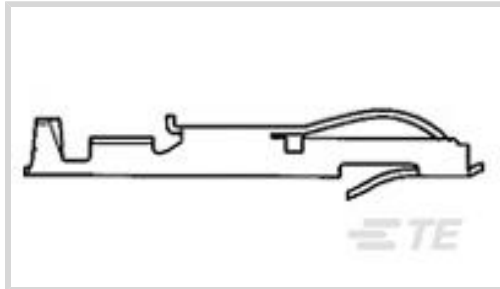
AMP

TE Internal #: 583853-8

Socket Contact, Gold, Locking Lance Contact Retention, 24 – 20
AWG Wire Size, .2 – .6 mm² Wire Size, 404 – 1020 CMA Wire Size,
Crimp, Phosphor Bronze

[View on TE.com >](#)

Connectors > Contacts > Connector Contacts

Contact Type: **Socket**Contact Mating Area Plating Material: **Gold**Wire Contact Termination Area Plating Material: **Gold Flash**Contact Retention Within Housing: **With**Contact Retention Type Within Housing: **Locking Lance****Features****Contact Features**

Contact Underplating Material	Nickel
PCB Contact Termination Area Plating Material	Gold Flash
Contact Type	Socket
Contact Mating Area Plating Material	Gold
Wire Contact Termination Area Plating Material	Gold Flash
Contact Retention Within Housing	With
Contact Base Material	Phosphor Bronze
Contact Current Rating (Max)	5 A

Termination Features

Termination Method to Wire & Cable	Crimp
Product Terminates To	Wire & Cable

Mechanical Attachment

Contact Retention Type Within Housing	Locking Lance
---------------------------------------	---------------

Dimensions

Compatible Insulation Diameter Range	1.22 – 1.52 mm [.048 – .06 in]
Wire Size	404 – 1020 CMA

Usage Conditions

Operating Temperature Range	-40 – 85 °C [-40 – 185 °F]
-----------------------------	----------------------------



Operation/Application

Circuit Application	Power & Signal
---------------------	----------------

Identification Marking

Contact Color Code	Green
--------------------	-------

Packaging Features

Packaging Quantity	7000
Packaging Method	Strip

Product Compliance

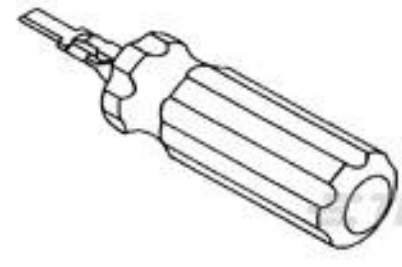
[For compliance documentation, visit the product page on TE.com>](#)

EU RoHS Directive 2011/65/EU	Compliant
EU ELV Directive 2000/53/EC	Compliant
China RoHS 2 Directive MIIT Order No 32, 2016	No Restricted Materials Above Threshold
EU REACH Regulation (EC) No. 1907/2006	Current ECHA Candidate List: JUNE 2023 (235) Candidate List Declared Against: JUNE 2023 (235) Does not contain REACH SVHC
Halogen Content	Low Halogen - Br, Cl, F, I < 900 ppm per homogenous material. Also BFR/CFR/PVC Free
Solder Process Capability	Not applicable for solder process capability

Product Compliance Disclaimer

This information is provided based on reasonable inquiry of our suppliers and represents our current actual knowledge based on the information they provided. This information is subject to change. The part numbers that TE has identified as EU RoHS compliant have a maximum concentration of 0.1% by weight in homogenous materials for lead, hexavalent chromium, mercury, PBB, PBDE, DBP, BBP, DEHP, DIBP, and 0.01% for cadmium, or qualify for an exemption to these limits as defined in the Annexes of Directive 2011/65/EU (RoHS2). Finished electrical and electronic equipment products will be CE marked as required by Directive 2011/65/EU. Components may not be CE marked. Additionally, the part numbers that TE has identified as EU ELV compliant have a maximum concentration of 0.1% by weight in homogenous materials for lead, hexavalent chromium, and mercury, and 0.01% for cadmium, or qualify for an exemption to these limits as defined in the Annexes of Directive 2000/53/EC (ELV). Regarding the REACH Regulation, the information TE provides on SVHC in articles for this part number is based on the latest European Chemicals Agency (ECHA) 'Guidance on requirements for substances in articles' posted at this URL: <https://echa.europa.eu/guidance-documents/guidance-on-reach>

Compatible Parts

TE Part # 91073-1
TW LF EXT TOOL



TE Part # 2151985-1
OCEAN_2.0_APPLICATOR-S-055F062O



TE Part # 2151985-2
OCEAN_2.0_APPLICATOR-S-055F062OA



TE Part # 7-2151985-1
OCEAN_2.0_APPLICATOR-S-055F062O



TE Part # 7-2151985-2
OCEAN_2.0_APPLICATOR-S-055F062OA



TE Part # 7-2151985-7
OCEAN_2.0_SPARE_PART_KIT-055F062O



TE Part # 91535-1
CCII TWIN LEAF 24-20 ASSY

Customers Also Bought



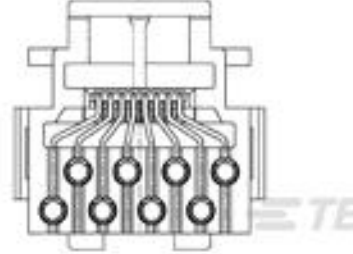
TE Part #4-1609134-7
20ESRM-3=F8277



TE Part #216000-2
6P. TOOLLESS MOD J.



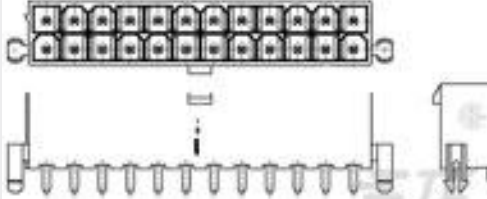
TE Part #1496476-3
STD USB-A TO MINI-B ASSY 2.0M



TE Part #216005-4
WITH STUFFER CAP



TE Part #2-111196-0
40 RCPT SYSTEM 50, LEAD FREE



TE Part #1-1586039-0
10P VAL-U-LOK VRT HDR W/P V2



TE Part #583853-9
TWIN LF CONT IS 20-24 AU



TE Part #3-644043-4
04P MTA100 CONN ASSY LF



TE Part #2-1977223-0
FSM6JSMASTR=6MM TACT SWITCH, SMT 260gf,

Documents



Product Drawings

TWIN LEAF TERMINAL STRIP

English

CAD Files

3D PDF

3D

Customer View Model

[ENG_CVM_CVM_583853-8_BR.2d_dxf.zip](#)

English

Customer View Model

[ENG_CVM_CVM_583853-8_BR.3d_igs.zip](#)

English

Customer View Model

[ENG_CVM_CVM_583853-8_BR.3d_stp.zip](#)

English

Customer View Model

[ENG_CVM_583853-8_V1.3d_igs.zip](#)

English

Customer View Model

[ENG_CVM_583853-8_V1.3d_stp.zip](#)

English

3D PDF

English

Customer View Model

[ENG_CVM_583853-8_V1.2d_dxf.zip](#)

English

By downloading the CAD file I accept and agree to the [Terms and Conditions](#) of use.

Product Specifications

Application Specification

English