



AMP | AMP Type III+

TE Internal #: 163081-7

Pin Contact, Precious Metal, Size 16 Contact Size, 18 – 16 AWG
Wire Size, .75 – 1.5 mm² Wire Size, Crimp, Brass, Power & Signal,
AMP Type III+

[View on TE.com >](#)

Connectors > Contacts > Connector Contacts



Contact Type: **Pin**

Contact Mating Area Plating Material: **Precious Metal**

Wire Contact Termination Area Plating Material: **Gold Flash**

Contact Retention Within Housing: **With**

Contact Size: **Size 16**

Features

Product Type Features

Discrete Wire Type	Stranded
--------------------	----------

Contact Features

Mating Pin Diameter	1.57 mm[.062 in]
Contact Underplating Material Thickness	1.27 µm[50 µin]
Wire Contact Termination Area Plating Thickness	.076 µm[3 µin]
Wire Contact Termination Area Plating Material Finish	Bright
Contact Mating Area Plating Material Thickness	.76 µm[30 µin]
Contact Mating Area Plating Material Finish	Bright
Contact Orientation	Straight
Contact Underplating Material	Nickel
Contact Type	Pin
Contact Mating Area Plating Material	Precious Metal
Wire Contact Termination Area Plating Material	Gold Flash
Contact Retention Within Housing	With



Contact Size	Size 16
Contact Base Material	Brass
Contact Current Rating (Max)	13 A

Termination Features

Termination Method to Wire & Cable	Crimp
Product Terminates To	Wire & Cable

Mechanical Attachment

Wire Insulation Support	With
-------------------------	------

Dimensions

Compatible Insulation Diameter Range	2 – 2.5 mm [.078 – .098 in]
Wire Size	.75 – 1.5 mm ²

Usage Conditions

Operating Temperature Range	-55 – 150 °C [-67 – 302 °F]
-----------------------------	-----------------------------

Operation/Application

Circuit Application	Power & Signal
---------------------	----------------

Identification Marking

Contact Color Code	Blue
--------------------	------

Packaging Features

Packaging Quantity	5000
Packaging Method	Reel

Product Compliance

[For compliance documentation, visit the product page on TE.com>](#)

EU RoHS Directive 2011/65/EU	Compliant
EU ELV Directive 2000/53/EC	Compliant
China RoHS 2 Directive MIIT Order No 32, 2016	No Restricted Materials Above Threshold
EU REACH Regulation (EC) No. 1907/2006	Current ECHA Candidate List: JUNE 2023 (235) Candidate List Declared Against: JUNE 2023 (235) Does not contain REACH SVHC
Halogen Content	Low Halogen - Br, Cl, F, I < 900 ppm per homogenous material. Also BFR/CFR/PVC Free



Solder Process Capability

Not applicable for solder process capability

Product Compliance Disclaimer

This information is provided based on reasonable inquiry of our suppliers and represents our current actual knowledge based on the information they provided. This information is subject to change. The part numbers that TE has identified as EU RoHS compliant have a maximum concentration of 0.1% by weight in homogenous materials for lead, hexavalent chromium, mercury, PBB, PBDE, DBP, BBP, DEHP, DIBP, and 0.01% for cadmium, or qualify for an exemption to these limits as defined in the Annexes of Directive 2011/65/EU (RoHS2). Finished electrical and electronic equipment products will be CE marked as required by Directive 2011/65/EU. Components may not be CE marked. Additionally, the part numbers that TE has identified as EU ELV compliant have a maximum concentration of 0.1% by weight in homogenous materials for lead, hexavalent chromium, and mercury, and 0.01% for cadmium, or qualify for an exemption to these limits as defined in the Annexes of Directive 2000/53/EC (ELV). Regarding the REACH Regulation, the information TE provides on SVHC in articles for this part number is based on the latest European Chemicals Agency (ECHA) 'Guidance on requirements for substances in articles' posted at this URL: <https://echa.europa.eu/guidance-documents/guidance-on-reach>

Compatible Parts



TE Part # 58495-2
PROCRIMPER DIE ASSY MULTIMATE



TE Part # 91505-1
CCII TYPE III+ 24-16 ASSY



TE Part # 200893-2
INSERTION TOOL CONT



TE Part # 58495-1
PRO CRIMPER ASSY MULTIMATE



TE Part # 539972-1
EXTRACTION TOOL



TE Part # 305183
EXTRACT TOOL TYPE 2 20-16



TE Part # 2151023-1
OCEAN_2.0_Applicator-S-080F1200



TE Part # 2151023-2
OCEAN_2.0_Applicator-S-080F1200



TE Part # 2305570-1
Strip Terminal Cutter-Side Feed-No Crimp



TE Part # 5-2151023-1
OCEAN_2.0_Applicator-S-080F1200



TE Part # 5-2151023-2
OCEAN_2.0_Applicator-S-080F1200



TE Part # 7-2151023-7
OCEAN_2.0_SPARE_PART_KIT-080F1200

Also in the Series | **AMP Type III+**

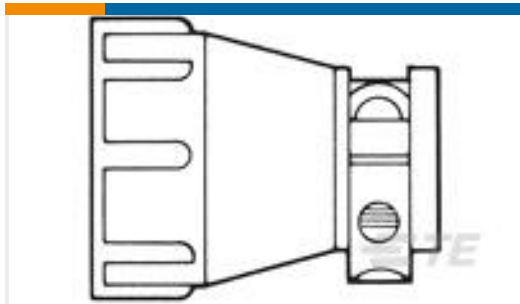


Connector Contacts(409)



Insertion & Extraction Tools(4)

Customers Also Bought



TE Part #1-206062-7
CABLE CLAMP KIT, BULK PKG



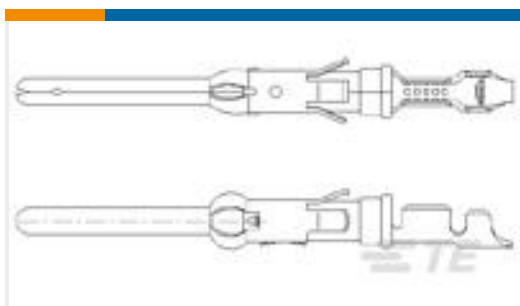
TE Part #182918-1
CPC SQ.FL.RCPT STD SEX



TE Part #212608-1
PLUG HSG,4 POSN,METRIMATE



TE Part #66100-8
III+ SKT,18-16,15AU/FL,STRIP



TE Part #163085-1
.062 DIA PIN ASS 3+



TE Part #1-456402-5
CRIMPER WIRE .055 F



ANVIL REPRESENTATION ONLY
TE Part #1-1633917-6
ANVIL, COMBINATION



CRIMPER REPRESENTATION ONLY
TE Part #8-1633738-5
CRIMPER, WIRE F



TE Part #2-1103103-3
HN.D.7.BU.C

Documents

CAD Files

[3D PDF](#)

[3D](#)

Customer View Model

[ENG_CVM_CVM_163081-7_BA.2d_dxf.zip](#)

English

Customer View Model

[ENG_CVM_CVM_163081-7_BA.3d_igs.zip](#)

163081-7

Pin Contact, Precious Metal, Size 16 Contact Size, 18 – 16 AWG Wire Size, .75 – 1.5 mm² Wire Size, Crimp, Brass, Power & Signal, AMP Type III+



English

Customer View Model

[ENG_CVM_CVM_163081-7_BA.3d_stp.zip](#)

English

By downloading the CAD file I accept and agree to the [Terms and Conditions](#) of use.

Product Specifications

[Product Specification](#)

English