

1-962841-2 ✓ ACTIVE

AMP | Timer Connector System

TE Internal #: 1-962841-2

Automotive Terminals, Tab, Mating Tab Width 2.8 mm [.11 in], Tab Thickness .8 mm [.031 in], 20 – 17 AWG Wire Size, Timer Connector System

[View on TE.com >](#)



Terminals & Splices > Automotive Terminals > TIMER, RECEPTACLE AND TAB



Terminal Type: **Tab**

Mating Tab Width: **2.8 mm [.11 in]**

Mating Tab Thickness: **.8 mm [.031 in]**

Terminal Transmits: **25 – 40 A (Power)**

Wire Size: **20 – 17 AWG**

[All TIMER, RECEPTACLE AND TAB \(330\)](#)

Features

Product Type Features

Sealable	No
Primary Locking Feature	Locking Lance

Contact Features

Contact Size	2.8mm
Contact Fabrication	Stamped & Formed
Wire Contact Termination Area Plating Material	Silver
Typical Current Rating	30 A
Crimp Type	F-Crimp
Terminal Type	Tab
Mating Tab Width	2.8 mm[.11 in]
Mating Tab Thickness	.8 mm[.031 in]
Interface Plating	Silver (Ag)

Termination Features

Termination Method to Wire & Cable	Crimp
Product Terminates To	Wire

Dimensions

Compatible Insulation Diameter Range	1.4 – 2.1 mm[.055 – .083 in]
--------------------------------------	------------------------------



Wire Size	.5 – 1 mm ²
Wire Size Search	17 AWG, 18 AWG, 19 AWG, 20 AWG
Tab Length	26.7 mm[1.05 in]

Usage Conditions

Insulation Option	Uninsulated
Operating Temperature (Max)	140 °C[284 °F]
Operating Temperature Range	-40 – 140 °C[-40 – 284 °F]

Operation/Application

Compatible With Wire Base Material	Copper
------------------------------------	--------

Industry Standards

Compatible With Agency/Standards Products	IEC 664/664A (DIN VDE 0110)
---	-----------------------------

Packaging Features

Packaging Quantity	4000
Packaging Method	Reel

Other

Terminal Transmits	25 – 40 A (Power)
--------------------	-------------------

Product Compliance

[For compliance documentation, visit the product page on TE.com>](#)

EU RoHS Directive 2011/65/EU	Compliant
EU ELV Directive 2000/53/EC	Compliant
China RoHS 2 Directive MIIT Order No 32, 2016	No Restricted Materials Above Threshold
EU REACH Regulation (EC) No. 1907/2006	Current ECHA Candidate List: JUNE 2023 (235) Candidate List Declared Against: JUNE 2023 (235) Does not contain REACH SVHC
Halogen Content	Low Halogen - Br, Cl, F, I < 900 ppm per homogenous material. Also BFR/CFR/PVC Free
Solder Process Capability	Not applicable for solder process capability

Product Compliance Disclaimer

This information is provided based on reasonable inquiry of our suppliers and represents our current actual knowledge based on the information they provided. This information is subject to change. The part numbers that TE has identified as EU RoHS compliant have a maximum concentration of 0.1% by weight in homogenous materials for lead, hexavalent

chromium, mercury, PBB, PBDE, DBP, BBP, DEHP, DIBP, and 0.01% for cadmium, or qualify for an exemption to these limits as defined in the Annexes of Directive 2011/65/EU (RoHS2). Finished electrical and electronic equipment products will be CE marked as required by Directive 2011/65/EU. Components may not be CE marked. Additionally, the part numbers that TE has identified as EU ELV compliant have a maximum concentration of 0.1% by weight in homogenous materials for lead, hexavalent chromium, and mercury, and 0.01% for cadmium, or qualify for an exemption to these limits as defined in the Annexes of Directive 2000/53/EC (ELV). Regarding the REACH Regulation, the information TE provides on SVHC in articles for this part number is based on the latest European Chemicals Agency (ECHA) 'Guidance on requirements for substances in articles' posted at this URL: <https://echa.europa.eu/guidance-documents/guidance-on-reach>

Compatible Parts



TE Part # CAT-AM705-CH8173
AMP MCP Unsealed Connector Housings



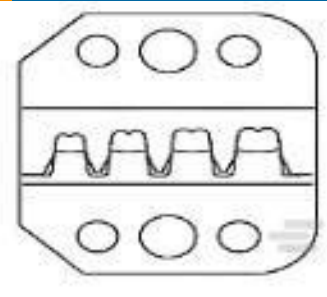
TE Part # 4-1579007-3
EXTRACTION TOOL KIT



TE Part # 1-1579007-6
EXTRACTION TOOL



TE Part # CAT-M4595-T273
MCON Receptacle and Tab



TE Part # 58603-2
PROCrimp Die JPT 2.8MM TAB



TE Part # 1-2322192-1
18POS,2.8X0.8,TAB HSG,COD A



TE Part # 1-2383353-1
95POS,LEAVYSEAL,TAB HSG ASSY, SLD,COD A



TE Part # 2-2322192-1
18POS,2.8X0.8,TAB HSG,COD B



TE Part # 2-2383353-1
95POS,LEAVYSEAL,TAB HSG ASSY, SLD,COD B



TE Part # 2151267-1
OCEAN_2.0_APPLICATOR-S-080F1000



TE Part # 2151267-2
OCEAN_2.0_APPLICATOR-S-080F1000



TE Part # 2305570-1
Strip Terminal Cutter-Side Feed-No Crimp



TE Part # 2836795-1
APPLICATOR TO MAKE LOOSE PIECE TERMINALS



TE Part # 3-2322192-1
18POS,2.8X0.8,TAB HSG,COD C



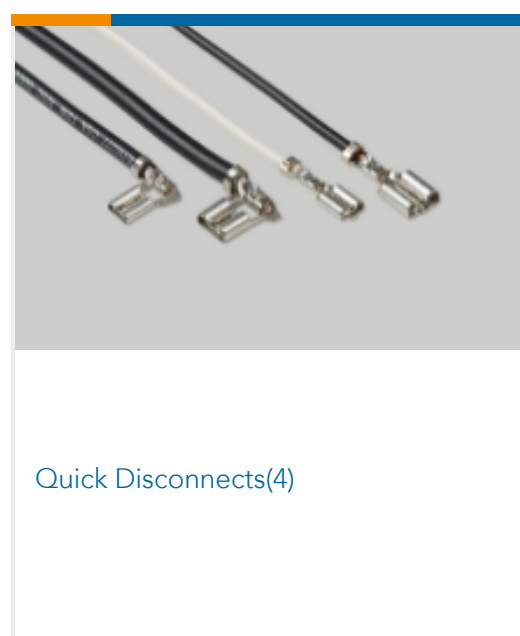
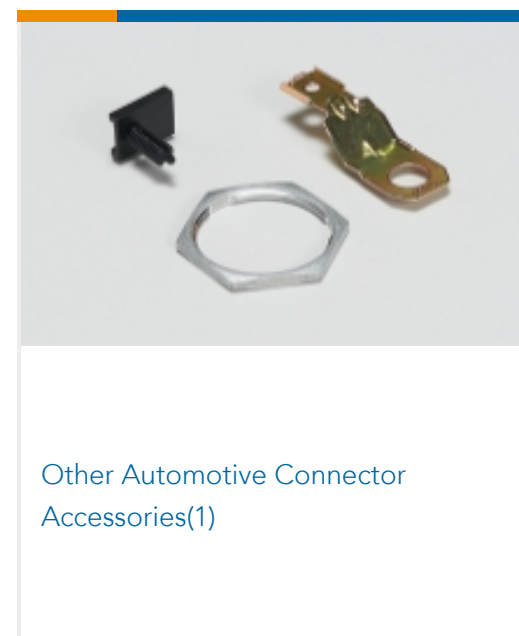
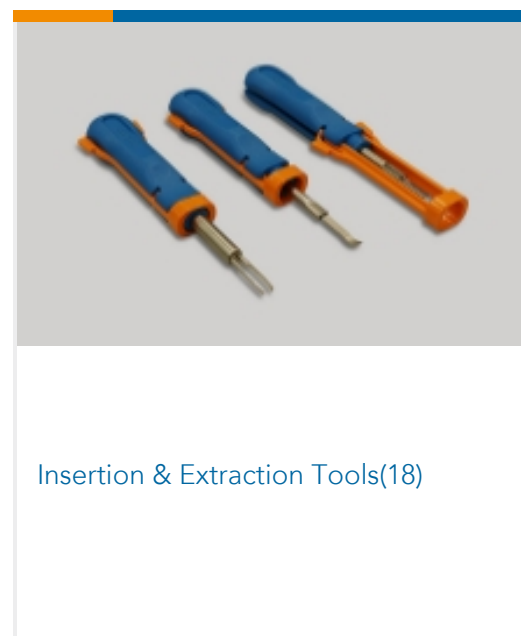
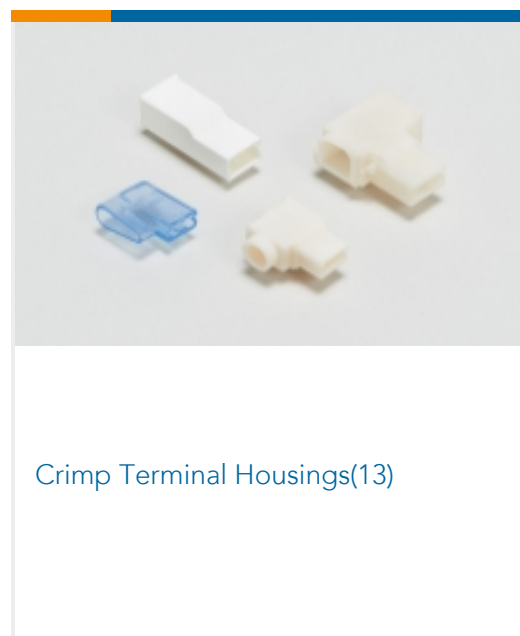
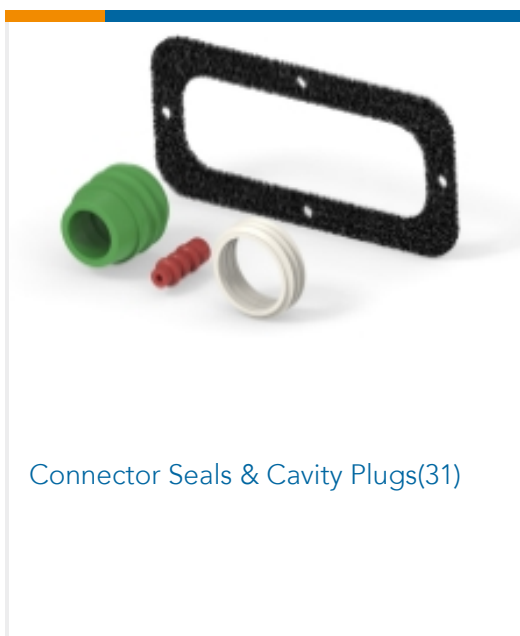
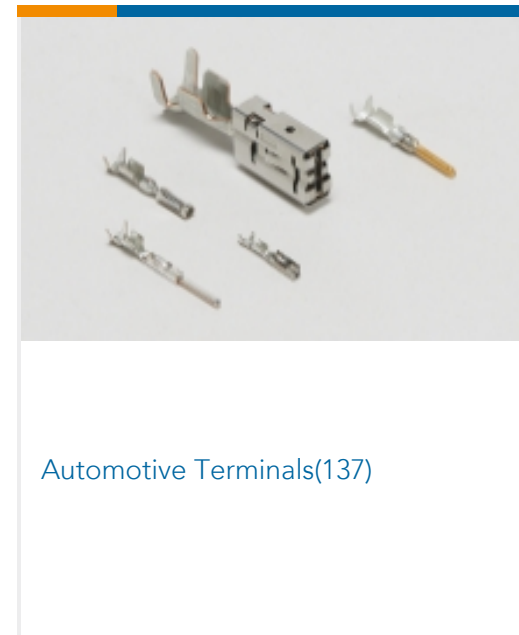
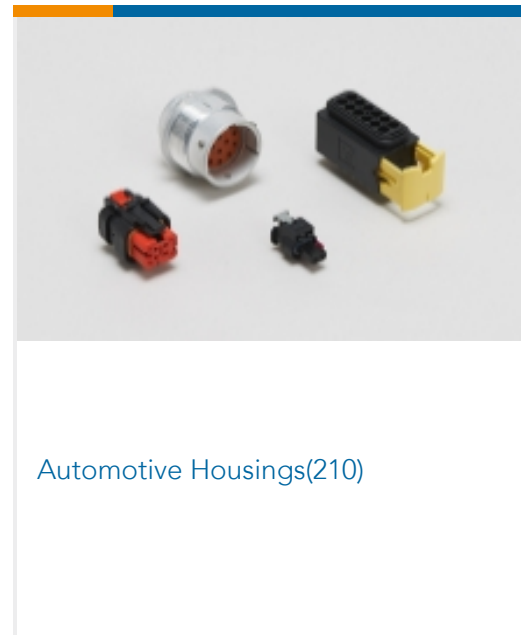
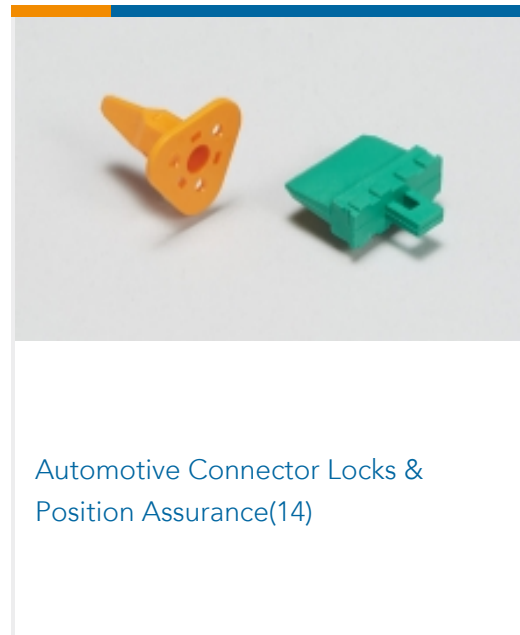
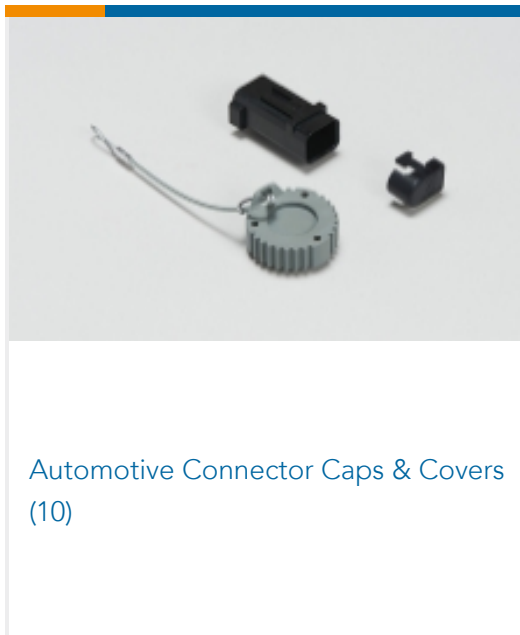
TE Part # 4-2322192-1
18POS,2.8X0.8,TAB HSG,COD D



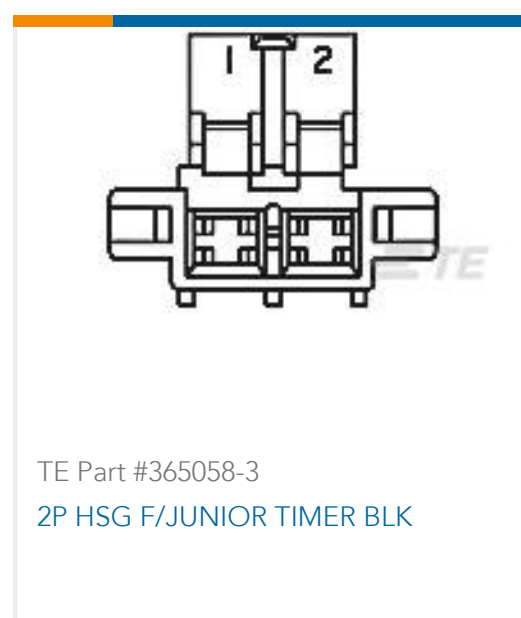
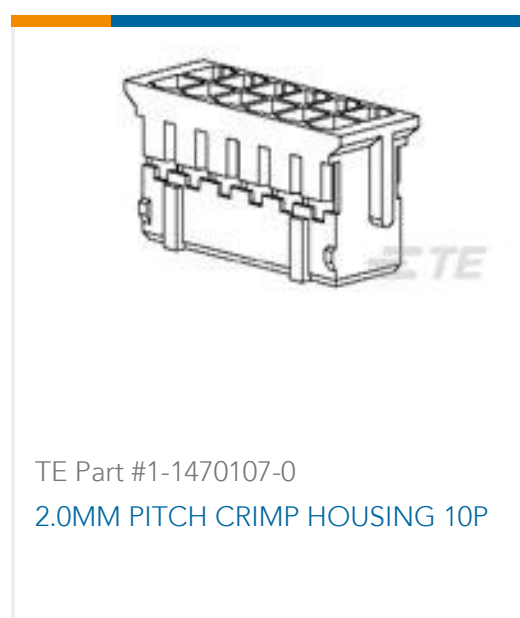
TE Part # 5-2151267-1
OCEAN_2.0_APPLICATOR-S-080F1000



Also in the Series | Timer Connector System

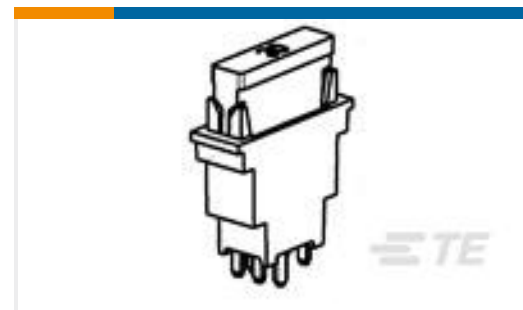


Customers Also Bought





TE Part #3257456008
RBK-VWS-125-NR2-X-25MM



TE Part #1544550-2
MODULE AUTOFUSE



TE Part #1393433-3
V23540M5302Y 12=2P STIFTGEHAUS



TE Part #2292534-1
PROTECTION CAP,TE,WATER DRAIN



TE Part #K1158495
Plunger Switch 44-01-044 900

Documents

Product Drawings

[TAB 2.8x0.8 CONTACT CS SRC Ag](#)

English

[TAB 2.8x0.8 CONTACT CS SRC Ag](#)

English

CAD Files

Customer View Model

[ENG_CVM_CVM_1-962841-2_F.2d_dxf.zip](#)

English

3D PDF

3D

Customer View Model

[ENG_CVM_CVM_1-962841-2_F.3d_igs.zip](#)

English

Customer View Model

[ENG_CVM_CVM_1-962841-2_F.3d_stp.zip](#)

English

By downloading the CAD file I accept and agree to the [Terms and Conditions](#) of use.

Datasheets & Catalog Pages

[Timer Interconnection System](#)

English

Product Specifications

[Application Specification](#)

German



Application Specification

English

Application Specification

English

Application Specification

English