



AMP | AMP Type III+

TE Internal #: 1-66359-6

Pin Contact, Gold, Size 16 Contact Size, 18 – 14 AWG Wire Size, .8 – 2 mm² Wire Size, Crimp, Copper Nickel Alloy, Power & Signal, AMP Type III+

[View on TE.com >](#)

Connectors > Contacts > Connector Contacts > Strip Pin and Socket Contacts, Type III, High Current



Contact Type: **Pin**

Contact Mating Area Plating Material: **Gold**

Wire Contact Termination Area Plating Material: **Gold**

Contact Retention Within Housing: **With**

Contact Size: **Size 16**

[All Strip Pin and Socket Contacts, Type III, High Current \(5\)](#)

Features

Contact Features

Mating Pin Diameter	1.57 mm[.062 in]
Contact Underplating Material Thickness	1.27 μm[50 μin]
Wire Contact Termination Area Plating Thickness	.12 – .2 μm[5 – 8 μin]
Wire Contact Termination Area Plating Material Finish	Bright
Contact Mating Area Plating Material Thickness	.76 μm[30 μin]
Contact Orientation	Straight
Contact Underplating Material	Nickel
Contact Type	Pin
Contact Mating Area Plating Material	Gold
Wire Contact Termination Area Plating Material	Gold
Contact Retention Within Housing	With
Contact Size	Size 16
Contact Base Material	Copper Nickel Alloy



Contact Current Rating (Max)	25 A
------------------------------	------

Termination Features

Termination Method to Wire & Cable	Crimp
Product Terminates To	Wire & Cable

Mechanical Attachment

Wire Insulation Support	With
-------------------------	------

Dimensions

Compatible Insulation Diameter Range	2.03 – 2.54 mm [.08 – .1 in]
Wire Size	.8 – 2 mm ²

Usage Conditions

Operating Temperature Range	-55 – 150 °C [-67 – 302 °F]
-----------------------------	-----------------------------

Operation/Application

Circuit Application	Power & Signal
---------------------	----------------

Packaging Features

Packaging Quantity	4000
Packaging Method	Reel

Product Compliance

[For compliance documentation, visit the product page on TE.com>](#)

EU RoHS Directive 2011/65/EU	Compliant
EU ELV Directive 2000/53/EC	Compliant
China RoHS 2 Directive MIIT Order No 32, 2016	No Restricted Materials Above Threshold
EU REACH Regulation (EC) No. 1907/2006	Current ECHA Candidate List: JUNE 2023 (235) Candidate List Declared Against: JUNE 2023 (235) Does not contain REACH SVHC
Halogen Content	Low Halogen - Br, Cl, F, I < 900 ppm per homogenous material. Also BFR/CFR/PVC Free
Solder Process Capability	Not applicable for solder process capability

Product Compliance Disclaimer

This information is provided based on reasonable inquiry of our suppliers and represents our current actual knowledge based on the information they provided. This information is subject to change. The part numbers that TE has identified as EU RoHS compliant have a maximum concentration of 0.1% by weight in homogenous materials for lead, hexavalent

chromium, mercury, PBB, PBDE, DBP, BBP, DEHP, DIBP, and 0.01% for cadmium, or qualify for an exemption to these limits as defined in the Annexes of Directive 2011/65/EU (RoHS2). Finished electrical and electronic equipment products will be CE marked as required by Directive 2011/65/EU. Components may not be CE marked. Additionally, the part numbers that TE has identified as EU ELV compliant have a maximum concentration of 0.1% by weight in homogenous materials for lead, hexavalent chromium, and mercury, and 0.01% for cadmium, or qualify for an exemption to these limits as defined in the Annexes of Directive 2000/53/EC (ELV). Regarding the REACH Regulation, the information TE provides on SVHC in articles for this part number is based on the latest European Chemicals Agency (ECHA) 'Guidance on requirements for substances in articles' posted at this URL: <https://echa.europa.eu/guidance-documents/guidance-on-reach>

Compatible Parts



TE Part # CAT-AM71-C83998C
Circular Plastic Connector, CMC Series 1



TE Part # CAT-AM71-C83998Y
One-Piece Connector, Sealed, CPC Series 1



TE Part # CAT-AM71-C83998J
Cable/Panel Mount Connector, CPC Series 1



TE Part # CAT-AM71-C83998K
Circular Connector, Environmentally Sealed, CPC Series 6



TE Part # 91519-1
CCII TYPE III+ PIN SKT 18-14 ASSY



TE Part # 200893-2
INSERTION TOOL CONT



TE Part # 539972-1
EXTRACTION TOOL



TE Part # 305183
EXTRACT TOOL TYPE 2 20-16



TE Part # 2151101-1
OCEAN_2.0_APPLICATOR-S-090F1200



TE Part # 2151101-2
OCEAN_2.0_APPLICATOR-S-090F1200



TE Part # 2305570-1
Strip Terminal Cutter-Side Feed-No Crimp



TE Part # 7-2151101-1
OCEAN_2.0_APPLICATOR-S-090F1200



TE Part # 7-2151101-2
OCEAN_2.0_APPLICATOR-S-090F1200



TE Part # 7-2151101-7
OCEAN_2.0_SPARE_PART_KIT-090F1200

Also in the Series | **AMP Type III+**



Connector Contacts(409)



Insertion & Extraction Tools(4)

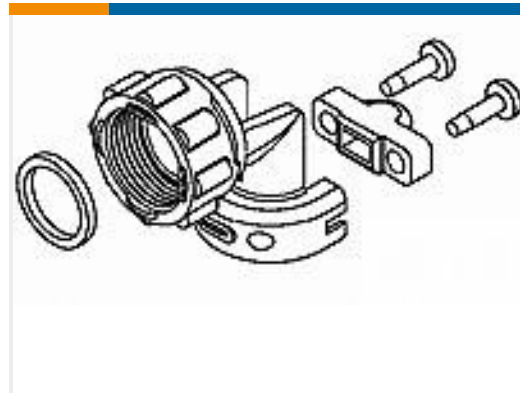
Customers Also Bought



TE Part #66563-8
Strip Pin and Socket Contacts, Type III



TE Part #1-66358-9
III+ SKT,18-14,30AU/FL,STRIP



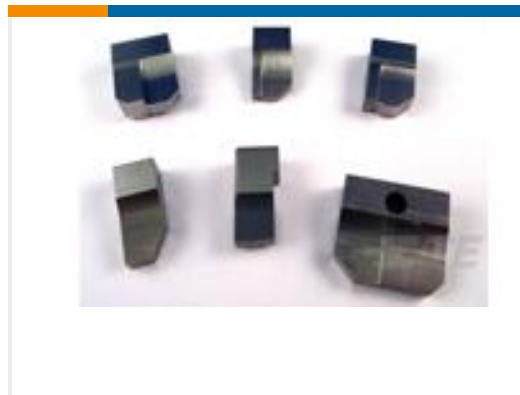
TE Part #796379-2
R/A STRN RELIEF KIT,SZ 11,CPC



TE Part #2-34805-1
PIDG 16-14HD R 10; TAPE



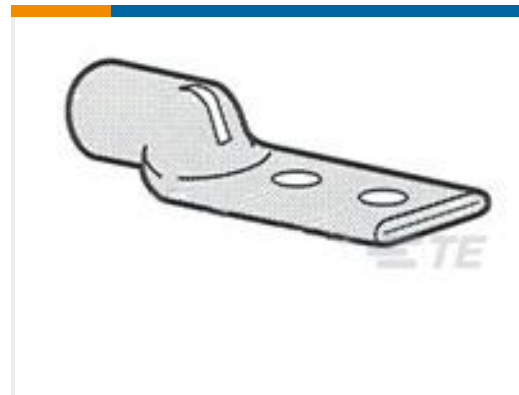
TE Part #770042-1
12P UMNL II PLUG REAR 94VO



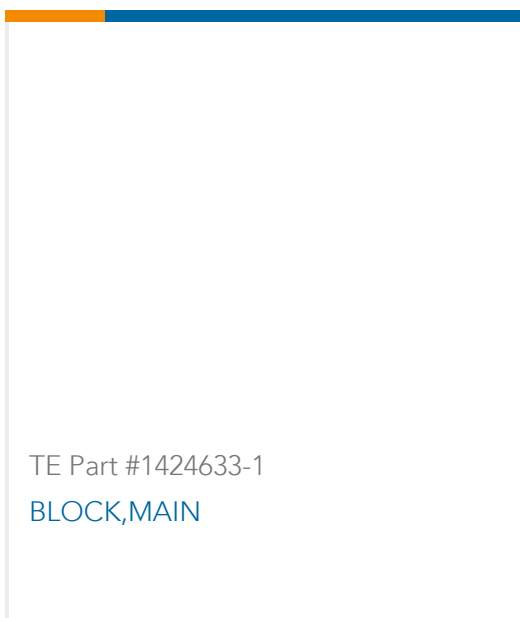
TE Part #3-904132-6
ANVIL, COMBINATION



TE Part #36927
BODY SOLIS RING 3/0 3/8



TE Part #326805
TERMINAL,AMPPOWER 300MCM 3/8



TE Part #1424633-1
BLOCK,MAIN

Documents

Product Drawings

III+ PIN,18-14,30AU/FL,STRIP

English

CAD Files

Customer View Model

ENG_CVM_CVM_1-66359-6_AG.2d_dxf.zip

English

3D PDF



3D

Customer View Model

[ENG_CVM_CVM_1-66359-6_AG.3d_igs.zip](#)

English

Customer View Model

[ENG_CVM_CVM_1-66359-6_AG.3d_stp.zip](#)

English

By downloading the CAD file I accept and agree to the [Terms and Conditions](#) of use.

Datasheets & Catalog Pages

[AMP Circular Connectors for Commercial Signal & Power Applications](#)

English

[Signal Contacts](#)

English

Product Specifications

[Product Specification](#)

English