

926868-1 ✓ ACTIVE

MATE-N-LOK | Universal MATE-N-LOK

TE Internal #: 926868-1

Pin Contact, Tin, Locking Lance Contact Retention, 16 – 13 AWG

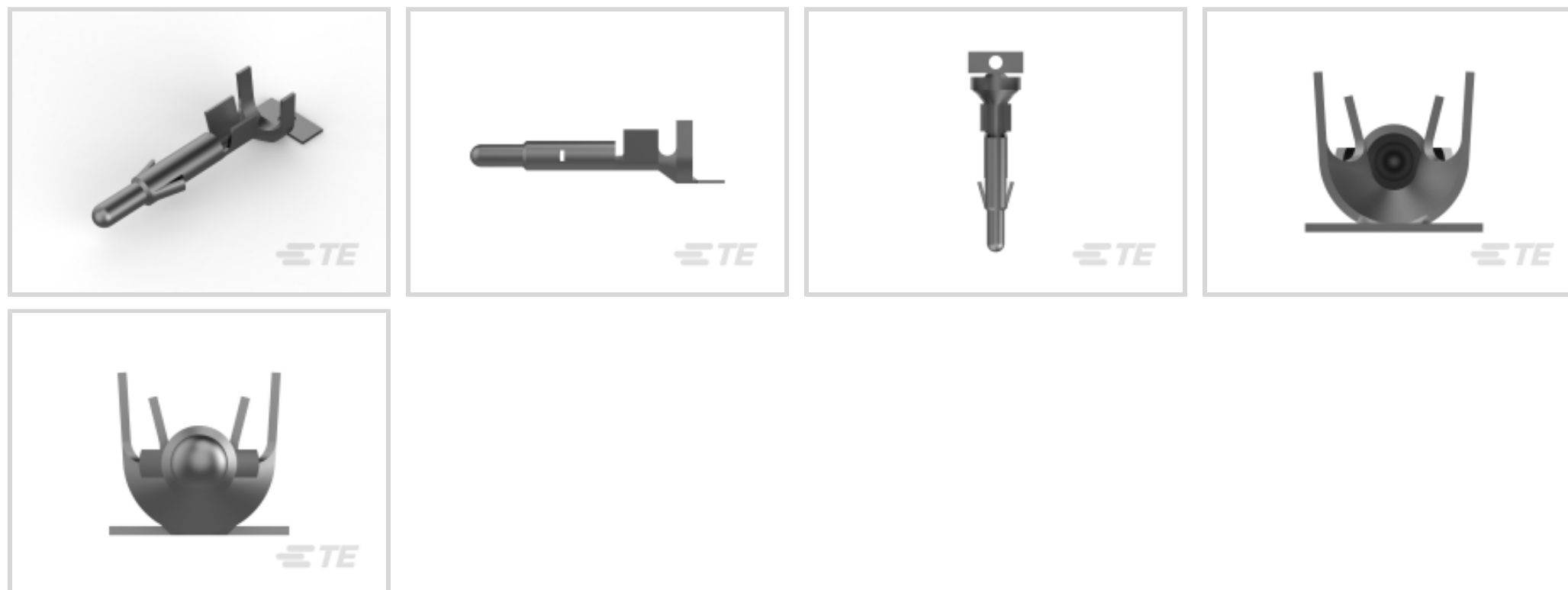
Wire Size, 1.5 – 2.5 mm² Wire Size, Crimp, Brass, Power, Universal

MATE-N-LOK

[View on TE.com >](#)



Connectors > Contacts > Connector Contacts



Contact Type: **Pin**

Contact Mating Area Plating Material: **Tin**

Wire Contact Termination Area Plating Material: **Tin**

Contact Retention Within Housing: **With**

Contact Retention Type Within Housing: **Locking Lance**

Features

Product Type Features

Discrete Wire Type	Stranded
--------------------	----------

Contact Features

Mating Pin Diameter	2.06 mm[.081 in]
Wire Contact Termination Area Plating Material Finish	Bright
Contact Orientation	Straight
Contact Type	Pin
Contact Mating Area Plating Material	Tin
Wire Contact Termination Area Plating Material	Tin
Contact Retention Within Housing	With
Contact Base Material	Brass

Termination Features

Termination Method to Wire & Cable	Crimp
Product Terminates To	Wire & Cable

Mechanical Attachment



Wire Insulation Support	Without
-------------------------	---------

Contact Retention Type Within Housing	Locking Lance
---------------------------------------	---------------

Dimensions

Compatible Insulation Diameter Range	3.3 – 5.08 mm [.13 – .2 in]
--------------------------------------	-----------------------------

Wire Size	1.5 – 2.5 mm ²
-----------	---------------------------

Operation/Application

Circuit Application	Power
---------------------	-------

Industry Standards

Compatible With Agency/Standards Products	CSA, UL, VDE
---	--------------

Packaging Features

Packaging Quantity	2500
--------------------	------

Packaging Method	Reel
------------------	------

Product Compliance

[For compliance documentation, visit the product page on TE.com>](#)

EU RoHS Directive 2011/65/EU	Compliant
------------------------------	-----------

EU ELV Directive 2000/53/EC	Compliant
-----------------------------	-----------

China RoHS 2 Directive MIIT Order No 32, 2016	No Restricted Materials Above Threshold
---	---

EU REACH Regulation (EC) No. 1907/2006	Current ECHA Candidate List: JUNE 2023 (235) Candidate List Declared Against: JUNE 2023 (235) Does not contain REACH SVHC
--	---

Halogen Content	Low Halogen - Br, Cl, F, I < 900 ppm per homogenous material. Also BFR/CFR/PVC Free
-----------------	---

Solder Process Capability	Not applicable for solder process capability
---------------------------	--

Product Compliance Disclaimer

This information is provided based on reasonable inquiry of our suppliers and represents our current actual knowledge based on the information they provided. This information is subject to change. The part numbers that TE has identified as EU RoHS compliant have a maximum concentration of 0.1% by weight in homogenous materials for lead, hexavalent chromium, mercury, PBB, PBDE, DBP, BBP, DEHP, DIBP, and 0.01% for cadmium, or qualify for an exemption to these limits as defined in the Annexes of Directive 2011/65/EU (RoHS2). Finished electrical and electronic equipment products will be CE marked as required by Directive 2011/65/EU. Components may not be CE marked. Additionally, the part numbers that TE has identified as EU ELV compliant have a maximum concentration of 0.1% by weight in homogenous materials for lead, hexavalent chromium, and mercury, and 0.01% for cadmium, or qualify for an exemption to these limits as defined in the Annexes of Directive 2000/53/EC (ELV). Regarding the REACH Regulation, the information TE provides

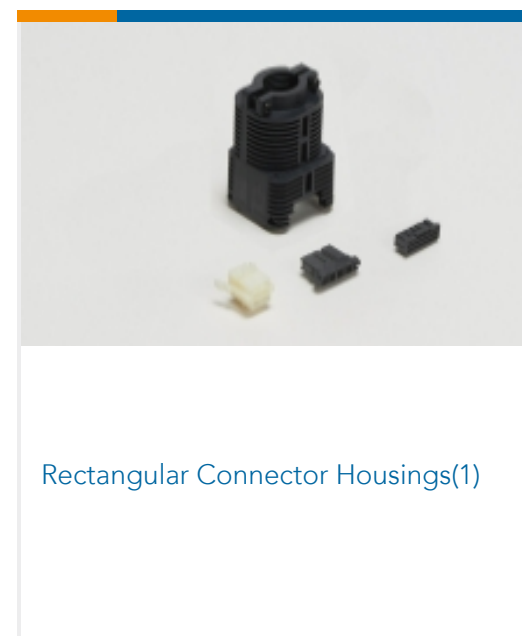
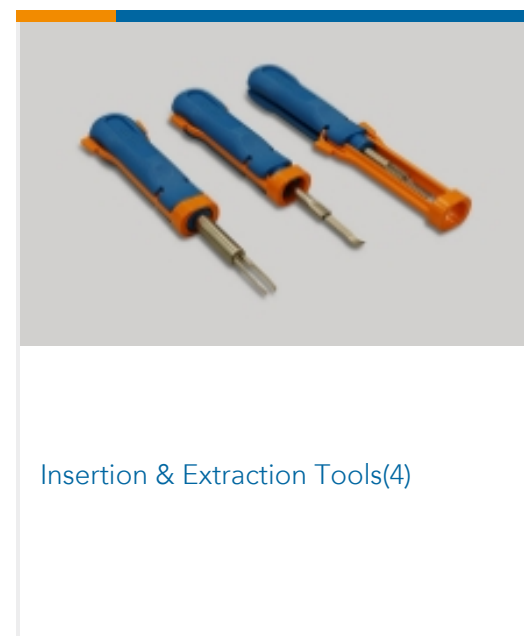
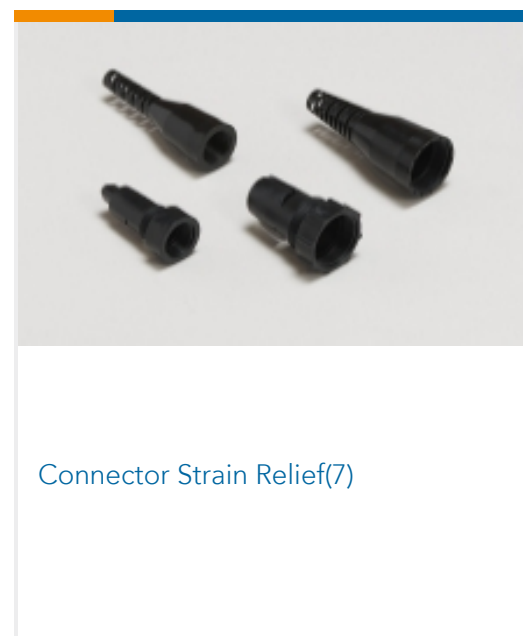
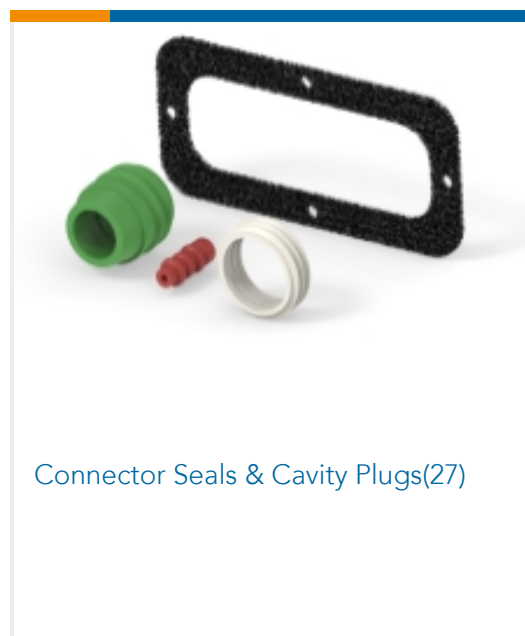
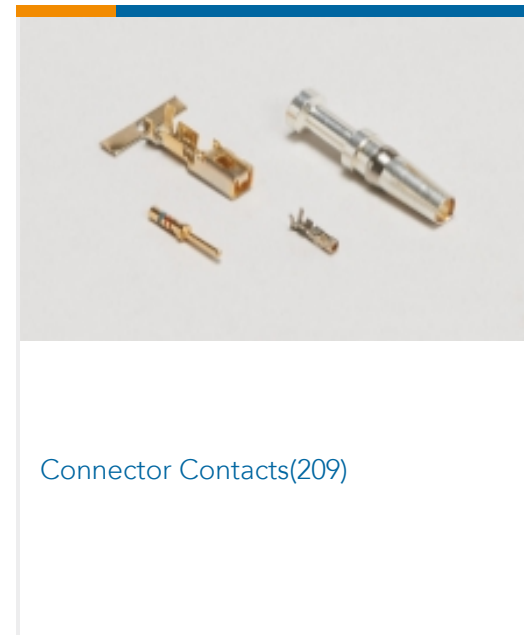
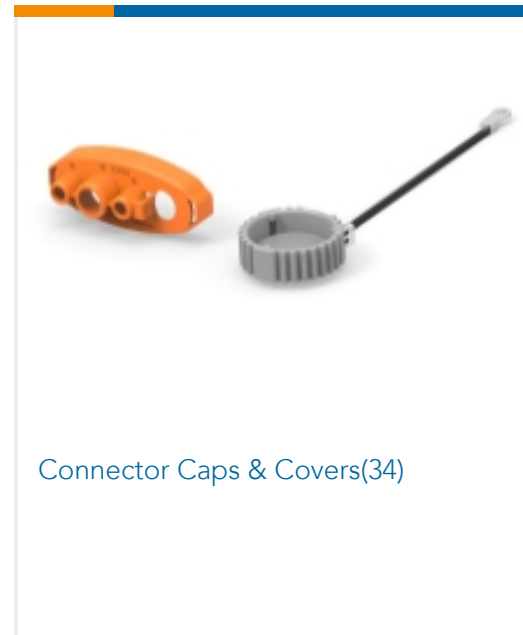
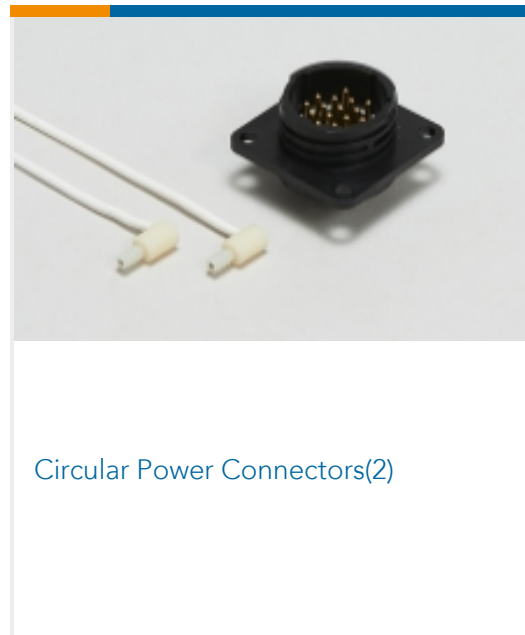
on SVHC in articles for this part number is based on the latest European Chemicals Agency (ECHA) 'Guidance on requirements for substances in articles' posted at this URL: <https://echa.europa.eu/guidance-documents/guidance-on-reach>

Compatible Parts

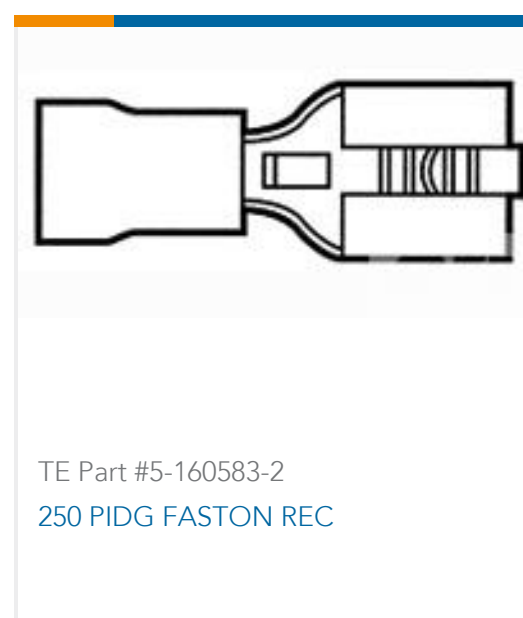




Also in the Series | Universal MATE-N-LOK



Customers Also Bought





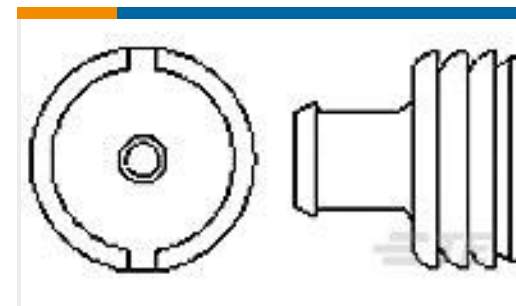
TE Part #1745083-1
3 POS. PLUG ASSY AMP SUPERSEAL
1.5 SRS



TE Part #1-1437713-1
106099=GROMMET BLACK



TE Part #1490189-6
CRIMPER, WIRE



TE Part #967610-1
MPQ EINZELLEITDICHT



TE Part #2-2292405-0
20P RCPT VAL-U-LOK GW BLUE



TE Part #2217206-3
Blade, Slug

Documents

Product Drawings

UNIV.M-N-L.PIN

English

CAD Files

Customer View Model

[ENG_CVM_926868-1_G.3d_igs.zip](#)

English

Customer View Model

[ENG_CVM_926868-1_G.3d_stp.zip](#)

English

Customer View Model

[ENG_CVM_926868-1_G.2d_dxf.zip](#)

English

3D PDF

English

3D PDF

3D

Customer View Model

[ENG_CVM_CVM_926868-1_F.2d_dxf.zip](#)

English

Customer View Model

[ENG_CVM_CVM_926868-1_F.3d_igs.zip](#)

English

Customer View Model

[ENG_CVM_CVM_926868-1_F.3d_stp.zip](#)

English



By downloading the CAD file I accept and agree to the [Terms and Conditions](#) of use.

Product Specifications

Application Specification

English

Agency Approvals

VDE Certificate

English