

556136-1 ✓ ACTIVE

AMPINNERGY

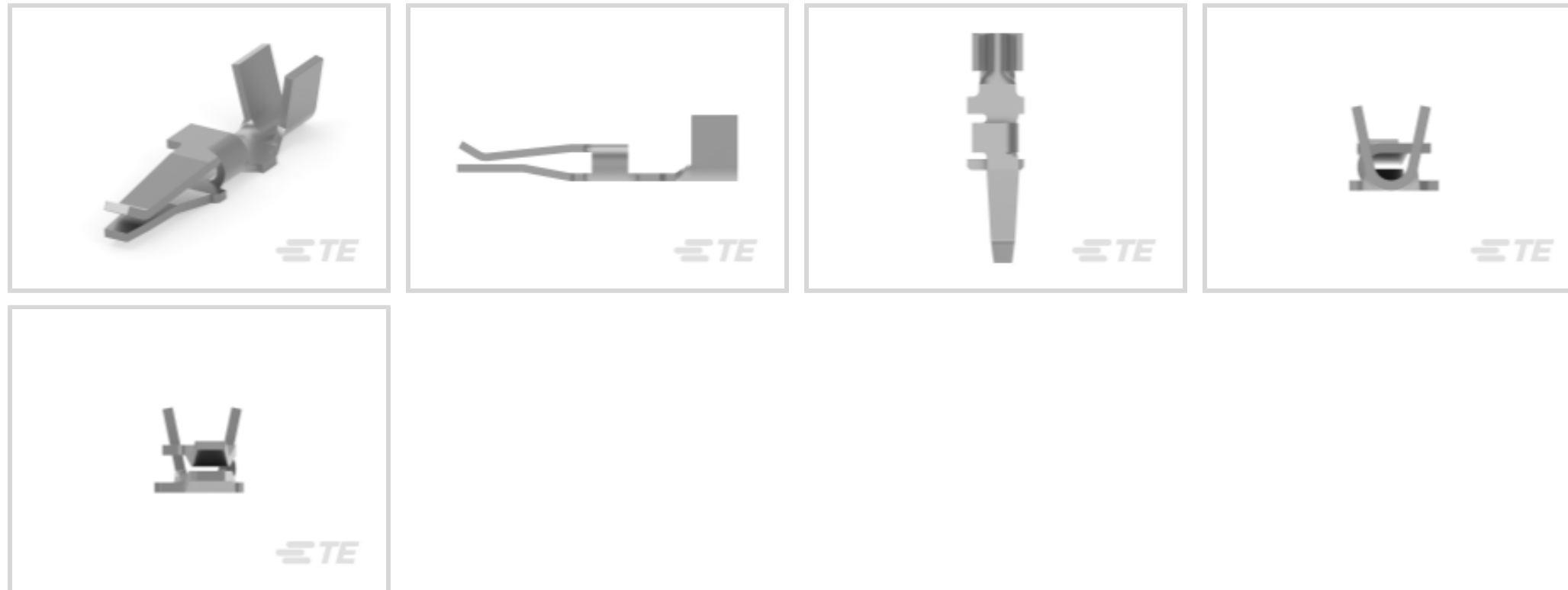
TE Internal #: 556136-1

Receptacle Contact, Tin, 600 VAC, 600 VDC, Discrete Wire, 12 – 10 AWG Wire Size, 3.31 – 5.26 mm² Wire Size, 6530 – 10383 CMA Wire Size, Crimp

[View on TE.com >](#)



Connectors > Contacts > Connector Contacts



Contact Type: **Receptacle**

Contact Mating Area Plating Material: **Tin**

Wire Contact Termination Area Plating Material: **Tin**

Operating Voltage: **600 VDC**

Features

Configuration Features

Compatible With Wire & Cable Type

Discrete Wire

Electrical Characteristics

Operating Voltage

600 VDC

Contact Features

Wire Contact Termination Area Plating Thickness

2.54 µm[100 µin]

Contact Mating Area Plating Material Thickness

2.54 µm[100 µin]

Contact Length

27 mm[1.063 in]

Barrel Type

Open

Contact Type

Receptacle

Contact Mating Area Plating Material

Tin

Wire Contact Termination Area Plating Material

Tin

Contact Retention Within Housing

Without

Contact Base Material

Copper Alloy

Contact Current Rating (Max)

55 A



Termination Features

Termination Method to Wire & Cable	Crimp
Product Terminates To	Wire & Cable

Dimensions

Wire Size	6530 – 10383 CMA
-----------	------------------

Usage Conditions

Operating Temperature Range	0 – 105 °C[32 – 221 °F]
-----------------------------	-------------------------

Operation/Application

Circuit Application	Power
---------------------	-------

Industry Standards

Compatible With Agency/Standards Products	UL
UL Flammability Rating	UL 94V-0

Packaging Features

Packaging Quantity	2000
Packaging Method	Strip

Product Compliance

[For compliance documentation, visit the product page on TE.com>](#)

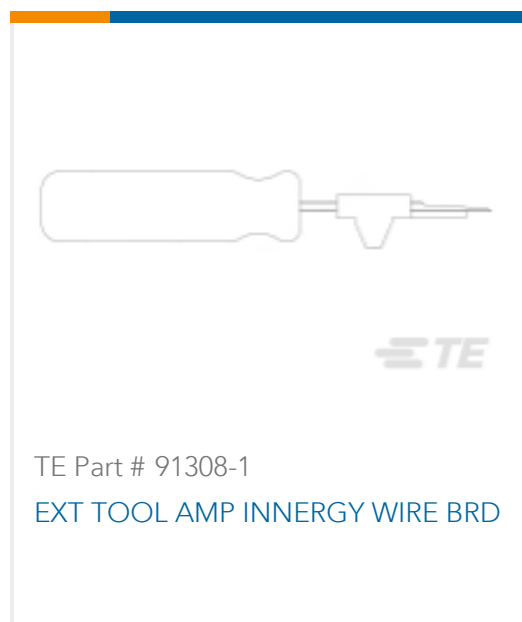
EU RoHS Directive 2011/65/EU	Compliant
EU ELV Directive 2000/53/EC	Compliant
China RoHS 2 Directive MIIT Order No 32, 2016	No Restricted Materials Above Threshold
EU REACH Regulation (EC) No. 1907/2006	Current ECHA Candidate List: JUNE 2023 (235) Candidate List Declared Against: JUNE 2023 (235) Does not contain REACH SVHC
Halogen Content	Low Halogen - Br, Cl, F, I < 900 ppm per homogenous material. Also BFR/CFR/PVC Free
Solder Process Capability	Not applicable for solder process capability

Product Compliance Disclaimer

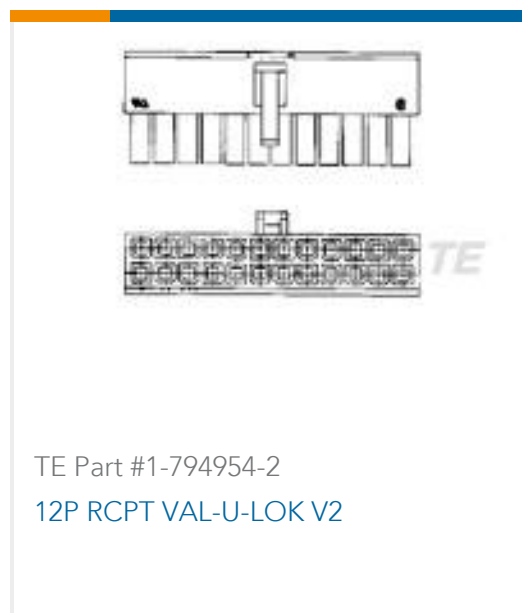
This information is provided based on reasonable inquiry of our suppliers and represents our current actual knowledge based on the information they provided. This information is subject to change. The part numbers that TE has identified as EU RoHS compliant have a maximum concentration of 0.1% by weight in homogenous materials for lead, hexavalent chromium, mercury, PBB, PBDE, DBP, BBP, DEHP, DIBP, and 0.01% for cadmium, or qualify for an exemption to these limits as defined in the Annexes of Directive 2011/65/EU (RoHS2). Finished electrical and electronic equipment products

will be CE marked as required by Directive 2011/65/EU. Components may not be CE marked. Additionally, the part numbers that TE has identified as EU ELV compliant have a maximum concentration of 0.1% by weight in homogenous materials for lead, hexavalent chromium, and mercury, and 0.01% for cadmium, or qualify for an exemption to these limits as defined in the Annexes of Directive 2000/53/EC (ELV). Regarding the REACH Regulation, the information TE provides on SVHC in articles for this part number is based on the latest European Chemicals Agency (ECHA) 'Guidance on requirements for substances in articles' posted at this URL: <https://echa.europa.eu/guidance-documents/guidance-on-reach>

Compatible Parts



Customers Also Bought





Documents

Product Drawings

[CONT,AMPINRGY WTW,STRIP,10-12](#)

English

CAD Files

Customer View Model

[ENG_CVM_556136-1_A.3d_igs.zip](#)

English

Customer View Model

[ENG_CVM_556136-1_A.3d_stp.zip](#)

English

Customer View Model

[ENG_CVM_556136-1_A.2d_dxf.zip](#)

English

3D PDF

English

By downloading the CAD file I accept and agree to the [Terms and Conditions](#) of use.

Datasheets & Catalog Pages

[1654742_HOUSEHOLD_APPLIANCES_RAST5](#)

English

[POWER_CONNECTORS_CATALOG_SEC02_CABLE_MOUNTED](#)

English

Product Specifications

[Application Specification](#)

English

Instruction Sheets

[Instruction Sheet \(U.S.\)](#)

English

[Inspection of AMPINNERGY System Power Contacts](#)

English