

213845-1 ✓ ACTIVE

AMP | AMP POWERBAND

TE Internal #: 213845-1

Pin Contact, Silver, 600 VAC, 600 VDC, Size 8 Contact Size, 14 – 12 AWG Wire Size, 2 – 3 mm² Wire Size, Crimp, Copper, Power, AMP POWERBAND

[View on TE.com >](#)



Connectors > Contacts > Connector Contacts > POWERBAND Contacts



Contact Type: **Pin**

Contact Mating Area Plating Material: **Silver**

Wire Contact Termination Area Plating Material: **Silver**

Operating Voltage: **600 VDC**

[All POWERBAND Contacts \(20\)](#)

Features

Product Type Features

Sealable	No
----------	----

Electrical Characteristics

Operating Voltage	600 VDC
-------------------	---------

Contact Features

Mating Pin Diameter	3.18 mm[.125 in]
---------------------	------------------

Contact Underplating Material Thickness	2 – 3 μm[50 μin]
---	------------------

Wire Contact Termination Area Plating Thickness	1.27 μm[50 μin]
---	-----------------

Wire Contact Termination Area Plating Material Finish	Semi-Bright
---	-------------

Contact Mating Area Plating Material Thickness	2 – 3 μm[2 – 3 μin]
--	---------------------

Contact Mating Area Plating Material Finish	Semi-Bright
---	-------------

Contact Orientation	Straight
---------------------	----------

Contact Underplating Material	Nickel
-------------------------------	--------

Contact Type	Pin
--------------	-----



Contact Mating Area Plating Material	Silver
--------------------------------------	--------

Wire Contact Termination Area Plating Material	Silver
--	--------

Contact Retention Within Housing	With
----------------------------------	------

Contact Size	Size 8
--------------	--------

Contact Base Material	Copper
-----------------------	--------

Contact Current Rating (Max)	50 A
------------------------------	------

Termination Features

Termination Method to Wire & Cable	Crimp
------------------------------------	-------

Product Terminates To	Wire & Cable
-----------------------	--------------

Mechanical Attachment

Wire Insulation Support	Without
-------------------------	---------

Dimensions

Wire Size	2 – 3 mm ²
-----------	-----------------------

Usage Conditions

Operating Temperature Range	-55 – 105 °C[-67 – 221 °F]
-----------------------------	----------------------------

Operation/Application

Circuit Application	Power
---------------------	-------

Packaging Features

Packaging Quantity	1500
--------------------	------

Packaging Method	Reel
------------------	------

Product Compliance

[For compliance documentation, visit the product page on TE.com>](#)

EU RoHS Directive 2011/65/EU	Compliant
------------------------------	-----------

EU ELV Directive 2000/53/EC	Compliant
-----------------------------	-----------

China RoHS 2 Directive MIIT Order No 32, 2016	No Restricted Materials Above Threshold
---	---

EU REACH Regulation (EC) No. 1907/2006	Current ECHA Candidate List: JUNE 2023 (235) Candidate List Declared Against: JUNE 2023 (235) Does not contain REACH SVHC
--	---

Halogen Content	Low Halogen - Br, Cl, F, I < 900 ppm per homogenous material. Also BFR/CFR/PVC Free
-----------------	---



Solder Process Capability

Not applicable for solder process capability

Product Compliance Disclaimer

This information is provided based on reasonable inquiry of our suppliers and represents our current actual knowledge based on the information they provided. This information is subject to change. The part numbers that TE has identified as EU RoHS compliant have a maximum concentration of 0.1% by weight in homogenous materials for lead, hexavalent chromium, mercury, PBB, PBDE, DBP, BBP, DEHP, DIBP, and 0.01% for cadmium, or qualify for an exemption to these limits as defined in the Annexes of Directive 2011/65/EU (RoHS2). Finished electrical and electronic equipment products will be CE marked as required by Directive 2011/65/EU. Components may not be CE marked. Additionally, the part numbers that TE has identified as EU ELV compliant have a maximum concentration of 0.1% by weight in homogenous materials for lead, hexavalent chromium, and mercury, and 0.01% for cadmium, or qualify for an exemption to these limits as defined in the Annexes of Directive 2000/53/EC (ELV). Regarding the REACH Regulation, the information TE provides on SVHC in articles for this part number is based on the latest European Chemicals Agency (ECHA) 'Guidance on requirements for substances in articles' posted at this URL: <https://echa.europa.eu/guidance-documents/guidance-on-reach>

Compatible Parts



TE Part # CAT-AM71-C83998U
Environmentally Sealed Circular Connector, CPC Series 5



TE Part # CAT-AM71-C83998K
Circular Connector, Environmentally Sealed, CPC Series 6



TE Part # 213906-1
CPC PLUG ASSY,SRS 6,SZ 17-10



TE Part # 213900-1
CPC SEAL ASSY KIT,SRS 6,17-10



TE Part # 318813-1
EXTRACTION TOOL ASSY



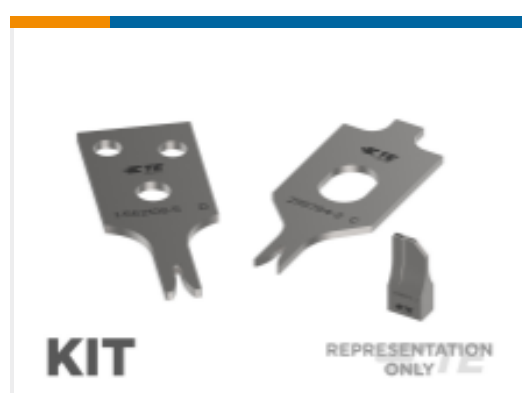
TE Part # 213899-1
CPC SEAL ASSY KIT,SRS 5,17-3



TE Part # 2836120-2
OCEAN-2.0-APPLICATOR-S-130F



TE Part # 7-2836120-2
OCEAN-2.0-APPLICATOR-S-130F



TE Part # 7-2836120-7
OCEAN_2.0_SPARE_PART_KIT-130F



TE Part # 197889-1
ANVIL HOLDER



TE Part # 680195-3
HDM 5SMPR130F G

Also in the Series | **AMP POWERBAND**



Connector Contacts(20)



Insertion & Extraction Tools(1)

Customers Also Bought



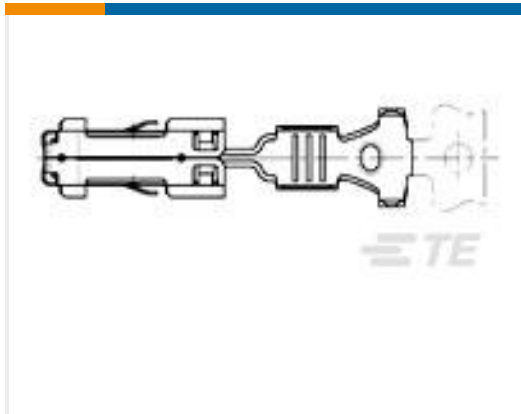
TE Part #3-1703841-1
2POS,TAB 2.8X0.8,TAB HSG,ASSY



TE Part #281852-2
PL 250 REC HSG 4P NYLON BLACK



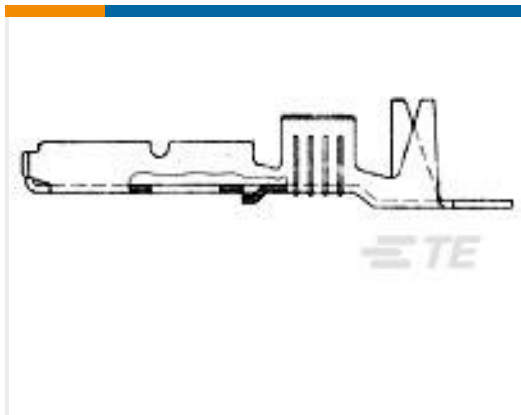
TE Part #1-66253-0
MALE CONTACT ASSY. (STRIP)



TE Part #1703034-2
SENSOR CONTACT 2,8



TE Part #965143-1
26POS MQS REC



TE Part #281938-2
MIC MARKII RCPT CONTACT



TE Part #1-66741-2
TYPE XII FEMALE CONTACT



TE Part #2151426-2
OCEAN_2.0_APPLICATOR-S-140F2100



TE Part #5-1393304-8
V23134M0052X157-EV-CBOX



TE Part #7-2151426-7
OCEAN_2.0_SPARE_PART_KIT-140F2100

Documents

Product Drawings

[POWERBAND CONT ASSY,SILVER PLT](#)

English

CAD Files

[3D PDF](#)

English

Customer View Model

[ENG_CVM_213845-1_B.3d_igs.zip](#)



English

Customer View Model

[ENG_CVM_213845-1_B.3d_stp.zip](#)

English

Customer View Model

[ENG_CVM_213845-1_B.2d_dxf.zip](#)

English

3D PDF

3D

Customer View Model

[ENG_CVM_CVM_213845-1_F.2d_dxf.zip](#)

English

Customer View Model

[ENG_CVM_CVM_213845-1_F.3d_igs.zip](#)

English

Customer View Model

[ENG_CVM_CVM_213845-1_F.3d_stp.zip](#)

English

By downloading the CAD file I accept and agree to the [Terms and Conditions](#) of use.

Datasheets & Catalog Pages

[AMP Circular Connectors for Commercial Signal & Power Applications](#)

English

[Power Contacts](#)

English

[METRIMATE_PIN_SOCKET_CATALOG](#)

English

Product Specifications

[Application Specification](#)

English

Agency Approvals

[Agency Approval Document](#)

English