

293008-1 ✓ ACTIVE

RAST | RAST 5 IDC Connectors

TE Internal #: 293008-1

Housing, Plug, Wire-to-Wire, 3 Position, .197 in [5 mm] Centerline, 1 Row, Natural, Wire & Cable, Power & Signal, Panel Mount, RAST 5 IDC Connectors

[View on TE.com >](#)



Connectors > PCB Connectors > Wire-to-Board Connectors > Wire-to-Board Connector Assemblies & Housings



Connector Product Type: **Housing**

Connector & Housing Type: **Plug**

Connector System: **Wire-to-Wire**

Number of Positions: **3**

Centerline (Pitch): **5 mm [ .197 in ]**

## Features

### Product Type Features

Connector Product Type	Housing
Connector & Housing Type	Plug
Connector System	Wire-to-Wire
Sealable	No
Connector & Contact Terminates To	Wire & Cable

### Configuration Features

Number of Positions	3
Number of Rows	1

### Body Features

Primary Product Color	Natural
-----------------------	---------

### Mechanical Attachment

Panel Mount Feature	With
Panel Mount Feature Type	Latches
Connector Mounting Type	Panel Mount



### Housing Features

Centerline (Pitch)	5 mm [.197 in]
--------------------	----------------

### Usage Conditions

Operating Temperature Range	-25 – 105 °C [-13 – 221 °F]
-----------------------------	-----------------------------

### Operation/Application

Circuit Application	Power & Signal
---------------------	----------------

### Product Compliance

[For compliance documentation, visit the product page on TE.com>](#)

EU RoHS Directive 2011/65/EU	Compliant
EU ELV Directive 2000/53/EC	Compliant
China RoHS 2 Directive MIIT Order No 32, 2016	No Restricted Materials Above Threshold
EU REACH Regulation (EC) No. 1907/2006	Current ECHA Candidate List: JUNE 2023 (235) Candidate List Declared Against: JUNE 2023 (235) Does not contain REACH SVHC
Halogen Content	Not Low Halogen - contains Br or Cl > 900 ppm.
Solder Process Capability	Not applicable for solder process capability

#### Product Compliance Disclaimer

This information is provided based on reasonable inquiry of our suppliers and represents our current actual knowledge based on the information they provided. This information is subject to change. The part numbers that TE has identified as EU RoHS compliant have a maximum concentration of 0.1% by weight in homogenous materials for lead, hexavalent chromium, mercury, PBB, PBDE, DBP, BBP, DEHP, DIBP, and 0.01% for cadmium, or qualify for an exemption to these limits as defined in the Annexes of Directive 2011/65/EU (RoHS2). Finished electrical and electronic equipment products will be CE marked as required by Directive 2011/65/EU. Components may not be CE marked. Additionally, the part numbers that TE has identified as EU ELV compliant have a maximum concentration of 0.1% by weight in homogenous materials for lead, hexavalent chromium, and mercury, and 0.01% for cadmium, or qualify for an exemption to these limits as defined in the Annexes of Directive 2000/53/EC (ELV). Regarding the REACH Regulation, the information TE provides on SVHC in articles for this part number is based on the latest European Chemicals Agency (ECHA) 'Guidance on requirements for substances in articles' posted at this URL: <https://echa.europa.eu/guidance-documents/guidance-on-reach>

### Compatible Parts




TE Part # 9-927742-3  
FASTIN FASTON HOUSING 3POS



TE Part # 293009-1  
4 POS. FASTIN-FASTON CONN. TAB HOUSING R



TE Part # 293044-1  
7 POS. FASTIN-FASTON\* TAB HOUSING, RAST5



TE Part # 293008-3  
3 POS. FASTIN-FASTON CONN. TAB HOUSING R



TE Part # 5-1241967-8  
FASTIN FASTON TAB HOUSING 8P



TE Part # 293014-1  
7 POS. FASTIN FASTON TAB HSG



TE Part # 1955416-1  
3 POS. FASTIN-FASTON CONNECTOR TAB HOUSI



TE Part # 8-927742-2  
2POS FASTIN FASTON HOUSING



TE Part # 1-1241968-5  
FASTIN FASTON HOUSING 10P



TE Part # 1-293008-1  
3 POS. FASTIN-FASTON CONN. TAB HOUSING R



TE Part # 293008-5  
3 POS. FASTIN-FASTON CONN. TAB HOUSING R



TE Part # 293010-4  
5 POS. FASTIN-FASTON CONN. TAB HOUSING R



TE Part # 5-927742-3  
3P FF FLACHSTGH6,3




TE Part # 8-927742-6  
6 POS FASTIN/ON HOUSING PANEL MOUNT




TE Part # 1-928230-2  
2 POS FASTIN/ON HOUSING PANEL MOUNT


Also in the Series | **RAST 5 IDC Connectors**




Automotive Terminals(8)



Connector Contacts(14)



Crimp Terminal Housings(41)



Insertion & Extraction Tools(1)



PCB Headers & Receptacles(417)



Rectangular Connector Housings(1)



Standard Edge Connectors(33)



Standard Rectangular Connectors(63)



Wire-to-Board Connector Assemblies & Housings(213)

### Customers Also Bought



TE Part #1971783-1  
PTL RECEPTACLE CONTACT, 16-19 AWG, 2X22



TE Part #177916-1  
AMP POWER DBL LOCK TAB (S)



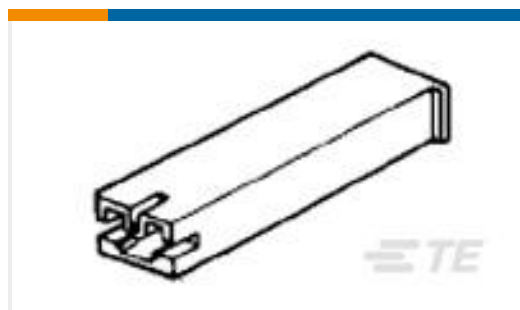
TE Part #42037-1  
RING TERMINAL 22-18 AWG TPBR



TE Part #42800-2  
187 FASTON REC 20-16 AWG TPBR



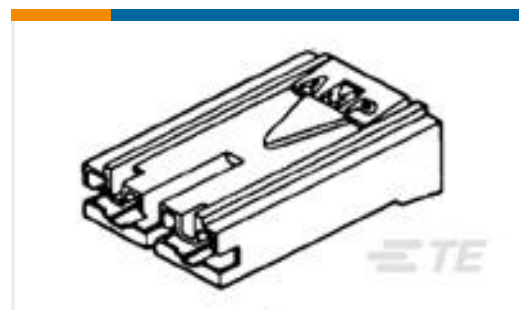
TE Part #2232905-1  
EP 2.5 LIF RCPT CONTACT, 26-22 AWG



TE Part #173974-4  
PL 187 (4.8 MM) HOUSING RECEPTACLE



TE Part #2-1971904-6  
TPA 12POS,NEW GIC3.3



TE Part #179720-1  
187 HSG. PL MKII REC. 10mm 2P NAT



TE Part #1-1969590-0  
HSG, REC, PANEL MOUNT, SINGLE ROW,EP2.5

### Documents



**Product Drawings**

**3 POS. FASTIN-FASTON CONN. TAB HOUSING R**

English

---

**CAD Files**

**3D PDF**

3D

**Customer View Model**

**ENG\_CVM\_CVM\_293008-1\_D.2d\_dxf.zip**

English

**Customer View Model**

**ENG\_CVM\_CVM\_293008-1\_D.3d\_igs.zip**

English

**Customer View Model**

**ENG\_CVM\_CVM\_293008-1\_D.3d\_stp.zip**

English

By downloading the CAD file I accept and agree to the [Terms and Conditions](#) of use.

---

**Datasheets & Catalog Pages**

**FASTIN\_FASTON\_Product\_Line**

English

---

**Product Specifications**

**Product Specification**

English