

1-794612-1 ✓ ACTIVE

MATE-N-LOK | Micro MATE-N-LOK

TE Internal #: 1-794612-1

Pin Contact, Gold, 250 VAC, 250 VDC, Locking Lance Contact Retention, 24 – 20 AWG Wire Size, .2 – .5 mm² Wire Size, Crimp, Brass, Micro MATE-N-LOK

[View on TE.com >](#)



Connectors > Contacts > Connector Contacts



Contact Type: **Pin**

Contact Mating Area Plating Material: **Gold**

Wire Contact Termination Area Plating Material: **Tin**

Operating Voltage: **250 VDC**

Features

Product Type Features

Discrete Wire Type	Stranded
--------------------	----------

Electrical Characteristics

Operating Voltage	250 VDC
-------------------	---------

Contact Features

Mating Square Post Dimension	.64 mm[.025 in]
------------------------------	-----------------

Contact Underplating Material Thickness	1.27 µm[50 µin]
---	-----------------

Wire Contact Termination Area Plating Thickness	2.54 µm[100 µin]
---	------------------

Wire Contact Termination Area Plating Material Finish	Bright
---	--------

Contact Mating Area Plating Material Thickness	.38 µm[15 µin]
--	----------------

Contact Orientation	Straight
---------------------	----------

Contact Underplating Material	Nickel
-------------------------------	--------

Contact Type	Pin
--------------	-----

Contact Mating Area Plating Material	Gold
--------------------------------------	------

Wire Contact Termination Area Plating Material	Tin
--	-----

Contact Retention Within Housing	With
----------------------------------	------



Contact Base Material	Brass
-----------------------	-------

Contact Current Rating (Max)	5 A
------------------------------	-----

Termination Features

Termination Method to Wire & Cable	Crimp
------------------------------------	-------

Product Terminates To	Wire & Cable
-----------------------	--------------

Mechanical Attachment

Wire Insulation Support	Without
-------------------------	---------

Contact Retention Type Within Housing	Locking Lance
---------------------------------------	---------------

Dimensions

Compatible Insulation Diameter Range	.89 – 1.52 mm [.035 – .06 in]
--------------------------------------	-------------------------------

Wire Size	.2 – .5 mm ²
-----------	-------------------------

Usage Conditions

Operating Temperature Range	-40 – 105 °C [-40 – 221 °F]
-----------------------------	-----------------------------

Operation/Application

Circuit Application	Power
---------------------	-------

Industry Standards

Compatible With Agency/Standards Products	VDE
---	-----

Packaging Features

Packaging Quantity	2000
--------------------	------

Packaging Method	Bag
------------------	-----

Product Compliance

For compliance documentation, visit the product page on [TE.com](https://www.te.com)>

EU RoHS Directive 2011/65/EU	Compliant
------------------------------	-----------

EU ELV Directive 2000/53/EC	Compliant
-----------------------------	-----------

China RoHS 2 Directive MIIT Order No 32, 2016	No Restricted Materials Above Threshold
---	---

EU REACH Regulation (EC) No. 1907/2006	Current ECHA Candidate List: JUNE 2023 (235) Candidate List Declared Against: JUNE 2023 (235) Does not contain REACH SVHC
--	---

Halogen Content	Low Halogen - Br, Cl, F, I < 900 ppm per homogenous material. Also BFR/CFR/PVC Free
-----------------	---



Solder Process Capability

Not applicable for solder process capability


Product Compliance Disclaimer

This information is provided based on reasonable inquiry of our suppliers and represents our current actual knowledge based on the information they provided. This information is subject to change. The part numbers that TE has identified as EU RoHS compliant have a maximum concentration of 0.1% by weight in homogenous materials for lead, hexavalent chromium, mercury, PBB, PBDE, DBP, BBP, DEHP, DIBP, and 0.01% for cadmium, or qualify for an exemption to these limits as defined in the Annexes of Directive 2011/65/EU (RoHS2). Finished electrical and electronic equipment products will be CE marked as required by Directive 2011/65/EU. Components may not be CE marked. Additionally, the part numbers that TE has identified as EU ELV compliant have a maximum concentration of 0.1% by weight in homogenous materials for lead, hexavalent chromium, and mercury, and 0.01% for cadmium, or qualify for an exemption to these limits as defined in the Annexes of Directive 2000/53/EC (ELV). Regarding the REACH Regulation, the information TE provides on SVHC in articles for this part number is based on the latest European Chemicals Agency (ECHA) 'Guidance on requirements for substances in articles' posted at this URL: <https://echa.europa.eu/guidance-documents/guidance-on-reach>

Compatible Parts

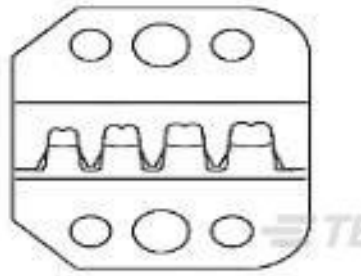


TE Part # 91501-1
CCII MICRO MNL REC 24-20 ASSY



Was called: SDE PEW 12
Now renamed as: SDE SA (no other physical changes)

TE Part # 91391-1
SDE PEW 12MICRO MNL HAND TOOL




TE Part # 91391-2
SDE COMM MICRO MNL DIE SET




TE Part # 1586344-1
MICRO MATENLOK EXTRACTION TOOL


Also in the Series | Micro MATE-N-LOK



Connector Contacts(27)



Insertion & Extraction Tools(1)



Rectangular Power Connectors(469)

Customers Also Bought



TE Part #1-111504-4
10 UNIV I/O, NO EARS, LEAD FREE



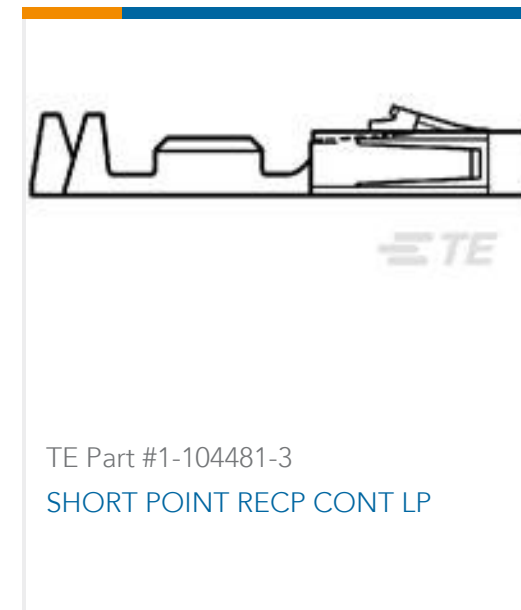
TE Part #794615-4
PANEL MT DBL ROW HSG 4 POS



TE Part #1-794610-2
MICRO MNL RPT CNT, LS PC 30AU L



TE Part #31518
TERMINAL, DG R 26-22 2



Documents

Product Drawings

PIN CONT 20-24 15 GOLD L/P

English

CAD Files

3D PDF

English

Customer View Model

[ENG_CVM_1-794612-1_C1.3d_igs.zip](#)

English

Customer View Model

[ENG_CVM_1-794612-1_C1.3d_stp.zip](#)

English

Customer View Model

[ENG_CVM_1-794612-1_C1.2d_dxf.zip](#)

English

3D PDF

3D

Customer View Model

[ENG_CVM_CVM_1-794612-1_C.2d_dxf.zip](#)

English

Customer View Model

[ENG_CVM_CVM_1-794612-1_C.3d_igs.zip](#)

English

Customer View Model

[ENG_CVM_CVM_1-794612-1_C.3d_stp.zip](#)

English



By downloading the CAD file I accept and agree to the [Terms and Conditions](#) of use.

Datasheets & Catalog Pages

[SOFT_SHELL_PIN_AND_SOCKET_CONNECTORS_CATALOG](#)

English

[MICRO MATE-N-LOK CONNECTOR SYSTEM](#)

English

Product Specifications

[Product Specification](#)

English