

1-66360-2 ✓ ACTIVE

AMP | AMP Type III+

TE Internal #: 1-66360-2

Socket Contact, Tin, Size 16 Contact Size, 18 – 14 AWG Wire Size, .  
8 – 2 mm<sup>2</sup> Wire Size, Crimp, Brass, Power & Signal, AMP Type III+

[View on TE.com >](#)



Connectors > Contacts > Connector Contacts > Pin and Socket Contacts, Type III, LP



Contact Type: **Socket**

Contact Mating Area Plating Material: **Tin**

Wire Contact Termination Area Plating Material: **Tin**

Contact Retention Within Housing: **With**

Contact Size: **Size 16**

[All Pin and Socket Contacts, Type III, LP \(53\)](#)

## Features

### Contact Features

Mating Pin Diameter	1.57 mm[.062 in]
Contact Underplating Material Thickness	.76 µm[30 µin]
Wire Contact Termination Area Plating Thickness	2.54 µm[100 µin]
Wire Contact Termination Area Plating Material Finish	Matte
Contact Mating Area Plating Material Thickness	2.54 µm[100 µin]
Contact Mating Area Plating Material Finish	Bright
Contact Orientation	Straight
Contact Underplating Material	Nickel
Contact Type	Socket
Contact Mating Area Plating Material	Tin
Wire Contact Termination Area Plating Material	Tin
Contact Retention Within Housing	With
Contact Size	Size 16



Contact Base Material	Brass
Contact Current Rating (Max)	13 A

**Termination Features**

Termination Method to Wire & Cable	Crimp
Product Terminates To	Wire & Cable

**Mechanical Attachment**

Wire Insulation Support	With
-------------------------	------

**Dimensions**

Compatible Insulation Diameter Range	2.03 – 2.54 mm [.08 – .1 in]
Wire Size	.8 – 2 mm <sup>2</sup>

**Usage Conditions**

Operating Temperature Range	-55 – 90 °C [-67 – 194 °F]
-----------------------------	----------------------------

**Operation/Application**

Circuit Application	Power & Signal
---------------------	----------------

**Packaging Features**

Packaging Quantity	1000
Packaging Method	Carton, Loose Piece

**Product Compliance**

[For compliance documentation, visit the product page on TE.com>](#)

EU RoHS Directive 2011/65/EU	Compliant
EU ELV Directive 2000/53/EC	Compliant
China RoHS 2 Directive MIIT Order No 32, 2016	No Restricted Materials Above Threshold
EU REACH Regulation (EC) No. 1907/2006	Current ECHA Candidate List: JUNE 2023 (235) Candidate List Declared Against: JUNE 2023 (235) Does not contain REACH SVHC
Halogen Content	Low Halogen - Br, Cl, F, I < 900 ppm per homogenous material. Also BFR/CFR/PVC Free
Solder Process Capability	Not applicable for solder process capability

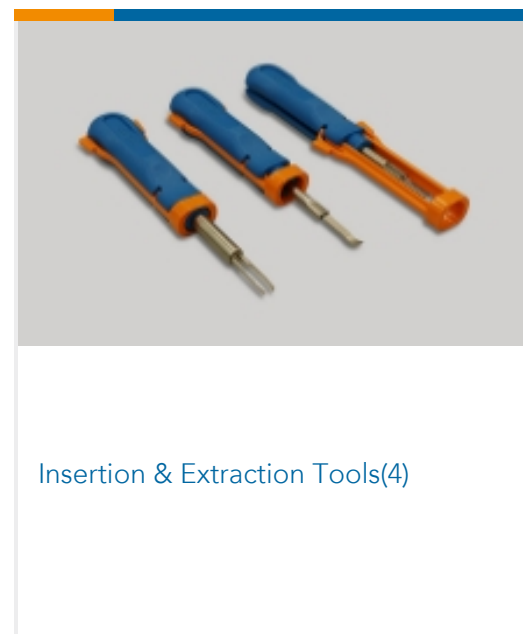
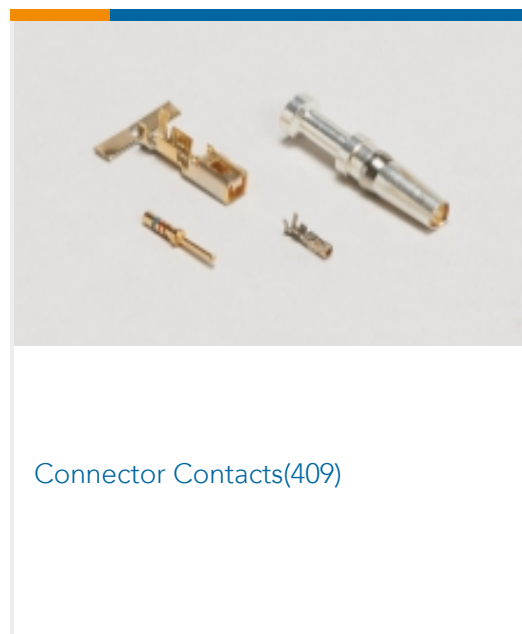
Product Compliance Disclaimer

This information is provided based on reasonable inquiry of our suppliers and represents our current actual knowledge based on the information they provided. This information is subject to change. The part numbers that TE has identified as EU RoHS compliant have a maximum concentration of 0.1% by weight in homogenous materials for lead, hexavalent chromium, mercury, PBB, PBDE, DBP, BBP, DEHP, DIBP, and 0.01% for cadmium, or qualify for an exemption to these limits as defined in the Annexes of Directive 2011/65/EU (RoHS2). Finished electrical and electronic equipment products will be CE marked as required by Directive 2011/65/EU. Components may not be CE marked. Additionally, the part numbers that TE has identified as EU ELV compliant have a maximum concentration of 0.1% by weight in homogenous materials for lead, hexavalent chromium, and mercury, and 0.01% for cadmium, or qualify for an exemption to these limits as defined in the Annexes of Directive 2000/53/EC (ELV). Regarding the REACH Regulation, the information TE provides on SVHC in articles for this part number is based on the latest European Chemicals Agency (ECHA) 'Guidance on requirements for substances in articles' posted at this URL: <https://echa.europa.eu/guidance-documents/guidance-on-reach>

## Compatible Parts



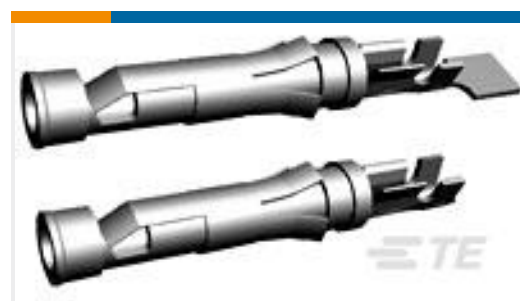
## Also in the Series | AMP Type III+



## Customers Also Bought



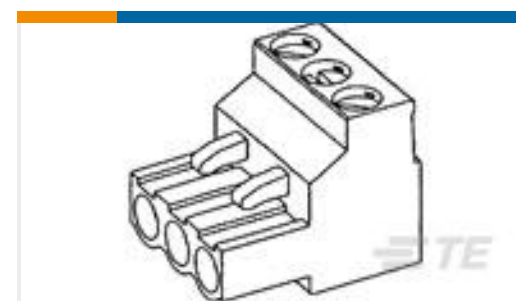
TE Part #206429-1  
Circular Connector, Environmentally Sealed, CPC Series 6



TE Part #66565-7  
III+ SKT,24-20,TIN,LP



TE Part #794209-1  
18P MINI UMNL2 CAP HSG UL94V0



TE Part #796635-6  
6 POS 5.08MM R/A PLUG,TRM BLK



TE Part #794208-1  
18P MINI UMNL2 PLUG HSG UL94V0



TE Part #1-2176243-1  
CRGS0603 5% 6R8



TE Part #484658-E  
SRCP 1,27 6 F 1-KS I2426 137 E1 162 1,07

## Documents

### Product Drawings

III+ SKT,18-14,TIN ,LP

English

### CAD Files

3D PDF

3D

Customer View Model

[ENG\\_CVM\\_CVM\\_1-66360-2\\_AH.2d\\_dxf.zip](#)

English

Customer View Model

[ENG\\_CVM\\_CVM\\_1-66360-2\\_AH.3d\\_igs.zip](#)

English

Customer View Model

[ENG\\_CVM\\_CVM\\_1-66360-2\\_AH.3d\\_stp.zip](#)

English

By downloading the CAD file I accept and agree to the [Terms and Conditions](#) of use.

### Datasheets & Catalog Pages

[AMP Circular Connectors for Commercial Signal & Power Applications](#)

English

### Signal Contacts

English

[M\\_SERIES\\_PIN\\_AND\\_SOCKET\\_CONNECTORS](#)

English

### Product Specifications

1-66360-2

Socket Contact, Tin, Size 16 Contact Size, 18 – 14 AWG Wire Size, .8 – 2 mm<sup>2</sup> Wire Size, Crimp, Brass, Power & Signal, AMP Type III+



## Application Specification

English