

794413-1 ✓ ACTIVE

MATE-N-LOK | Commercial MATE-N-LOK

TE Internal #: 794413-1

Rectangular Power Connectors, Housing, Receptacle, Wire-to-Wire,
3 Position, 9.91 mm [.39 in] Centerline, Wire & Cable, Commercial
MATE-N-LOK

[View on TE.com >](#)



Connectors > Power Connectors > Rectangular Power > Rectangular Power Connectors



Rectangular Power Connector Type: **Housing**

Connector & Housing Type: **Receptacle**

Connector System: **Wire-to-Wire**

Number of Positions: **3**

Centerline (Pitch): **9.91 mm [.39 in]**

Features

Product Type Features

Rectangular Power Connector Type	Housing
Connector & Housing Type	Receptacle
Connector System	Wire-to-Wire
Sealable	No
Connector & Contact Terminates To	Wire & Cable

Configuration Features

Number of Positions	3
Number of Rows	1

Electrical Characteristics

Operating Voltage	600 VAC
-------------------	---------

Contact Features

Contact Layout	Inline
Contact Retention Within Housing	Without
Contact Type	Pin



Termination Features

Termination Method to Wire & Cable	Crimp
------------------------------------	-------

Mechanical Attachment

Connector Mounting Type	Cable Mount (Free-Hanging)
-------------------------	----------------------------

Housing Features

Centerline (Pitch)	9.91 mm [.39 in]
--------------------	------------------

Housing Color	Natural
---------------	---------

Housing Material	Nylon
------------------	-------

Dimensions

1.22 in

Usage Conditions

Operating Temperature Range	-55 – 105 °C [-67 – 221 °F]
-----------------------------	-----------------------------

Operation/Application

Circuit Application	Power & Signal
---------------------	----------------

Industry Standards

UL Flammability Rating	UL 94V-2
------------------------	----------

Glow Wire Rating	Standard Part - Not Glow Wire
------------------	-------------------------------

Packaging Features

Packaging Quantity	1
--------------------	---

Packaging Method	Package
------------------	---------

Product Compliance

[For compliance documentation, visit the product page on TE.com>](#)

EU RoHS Directive 2011/65/EU	Compliant
------------------------------	-----------

EU ELV Directive 2000/53/EC	Compliant
-----------------------------	-----------

China RoHS 2 Directive MIIT Order No 32, 2016	No Restricted Materials Above Threshold
---	---

EU REACH Regulation (EC) No. 1907/2006	Current ECHA Candidate List: JUNE 2023 (235) Candidate List Declared Against: JUNE 2023 (235) Does not contain REACH SVHC
--	---

Halogen Content	Low Halogen - Br, Cl, F, I < 900 ppm per homogenous material. Also BFR/CFR/PVC
-----------------	--

Free

Solder Process Capability

Not applicable for solder process capability

Product Compliance Disclaimer

This information is provided based on reasonable inquiry of our suppliers and represents our current actual knowledge based on the information they provided. This information is subject to change. The part numbers that TE has identified as EU RoHS compliant have a maximum concentration of 0.1% by weight in homogenous materials for lead, hexavalent chromium, mercury, PBB, PBDE, DBP, BBP, DEHP, DIBP, and 0.01% for cadmium, or qualify for an exemption to these limits as defined in the Annexes of Directive 2011/65/EU (RoHS2). Finished electrical and electronic equipment products will be CE marked as required by Directive 2011/65/EU. Components may not be CE marked. Additionally, the part numbers that TE has identified as EU ELV compliant have a maximum concentration of 0.1% by weight in homogenous materials for lead, hexavalent chromium, and mercury, and 0.01% for cadmium, or qualify for an exemption to these limits as defined in the Annexes of Directive 2000/53/EC (ELV). Regarding the REACH Regulation, the information TE provides on SVHC in articles for this part number is based on the latest European Chemicals Agency (ECHA) 'Guidance on requirements for substances in articles' posted at this URL: <https://echa.europa.eu/guidance-documents/guidance-on-reach>

Compatible Parts



TE Part # 794412-1
03P .156 MNL PLUG HSG



TE Part # 61234-1
.156 MNL PIN 12-10 PTPBR



TE Part # 61086-1
.156 MNL PIN 20-14 PTPBR




TE Part # 61251-1
AUTO MNL .156 PIN L/P




TE Part # 61253-1
AUTO MNL .156 PIN L/P


Also in the Series | Commercial MATE-N-LOK



Connector Caps & Covers(2)



Connector Contacts(150)



Connector Seals & Cavity Plugs(1)



Crimp Wire Pins, Tabs & Ferrules(2)



Insertion & Extraction Tools(3)



Rectangular Connector Housings(9)



Rectangular Power Connectors(167)

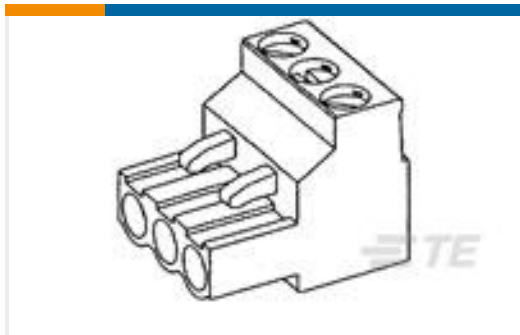


Standard Circular Connectors(2)

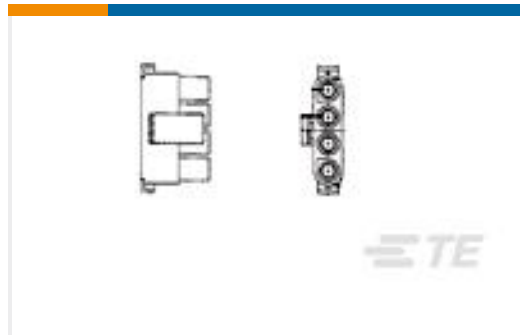


Standard Rectangular Connectors(7)

Customers Also Bought



TE Part #796634-9
9 POS 5.08MM R/A PLUG, TRM BLK



TE Part #794412-1
03P .156 MNL PLUG HSG



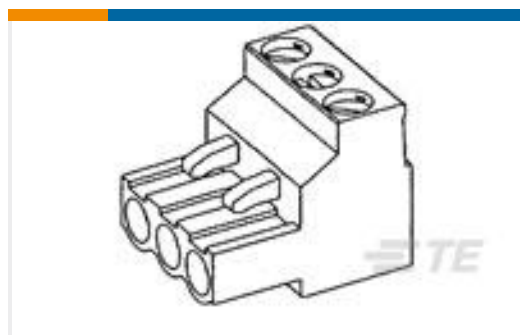
TE Part #61233-1
.156 MNL SOK 12-10 PTPBR



TE Part #40696
RING TERMINAL 12-10 AWG TPBR



TE Part #63933-1
PL .250 TERMINAL REC 22-18 AWG BR



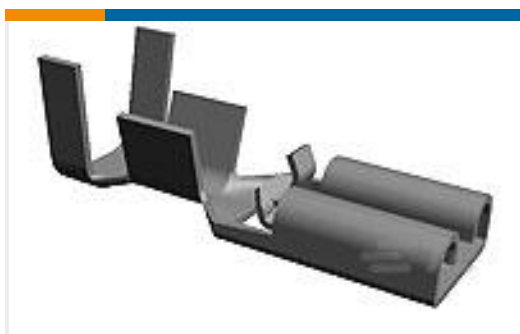
TE Part #1-796634-0
10 POS 5.08MM R/A PLUG, TRM BLK



TE Part #5229996-2
SCREW, PAN HD, CAPTIVE



TE Part #1571079-4
PRASD1-16F-BB000=POWER ROCKER



TE Part #1217113-1
PL 187 TERMINAL RECEPTACLE 22-18 AWG BR

Documents



Product Drawings

[03P .156 MNL CAP HSG](#)

English

CAD Files

Customer View Model

[ENG_CVM_794413-1_A.3d_igs.zip](#)

English

Customer View Model

[ENG_CVM_794413-1_A.3d_stp.zip](#)

English

Customer View Model

[ENG_CVM_794413-1_A.2d_dxf.zip](#)

English

[3D PDF](#)

English

[3D PDF](#)

3D

Customer View Model

[ENG_CVM_CVM_794413-1_B.2d_dxf.zip](#)

English

Customer View Model

[ENG_CVM_CVM_794413-1_B.3d_igs.zip](#)

English

Customer View Model

[ENG_CVM_CVM_794413-1_B.3d_stp.zip](#)

English

By downloading the CAD file I accept and agree to the [Terms and Conditions](#) of use.

Datasheets & Catalog Pages

[SOFT_SHELL_PIN_SOCKET_CONNECTORS_STANDARD_DENSITY](#)

English

Product Specifications

[Application Specification](#)

English

Agency Approvals

[UL Report](#)

English