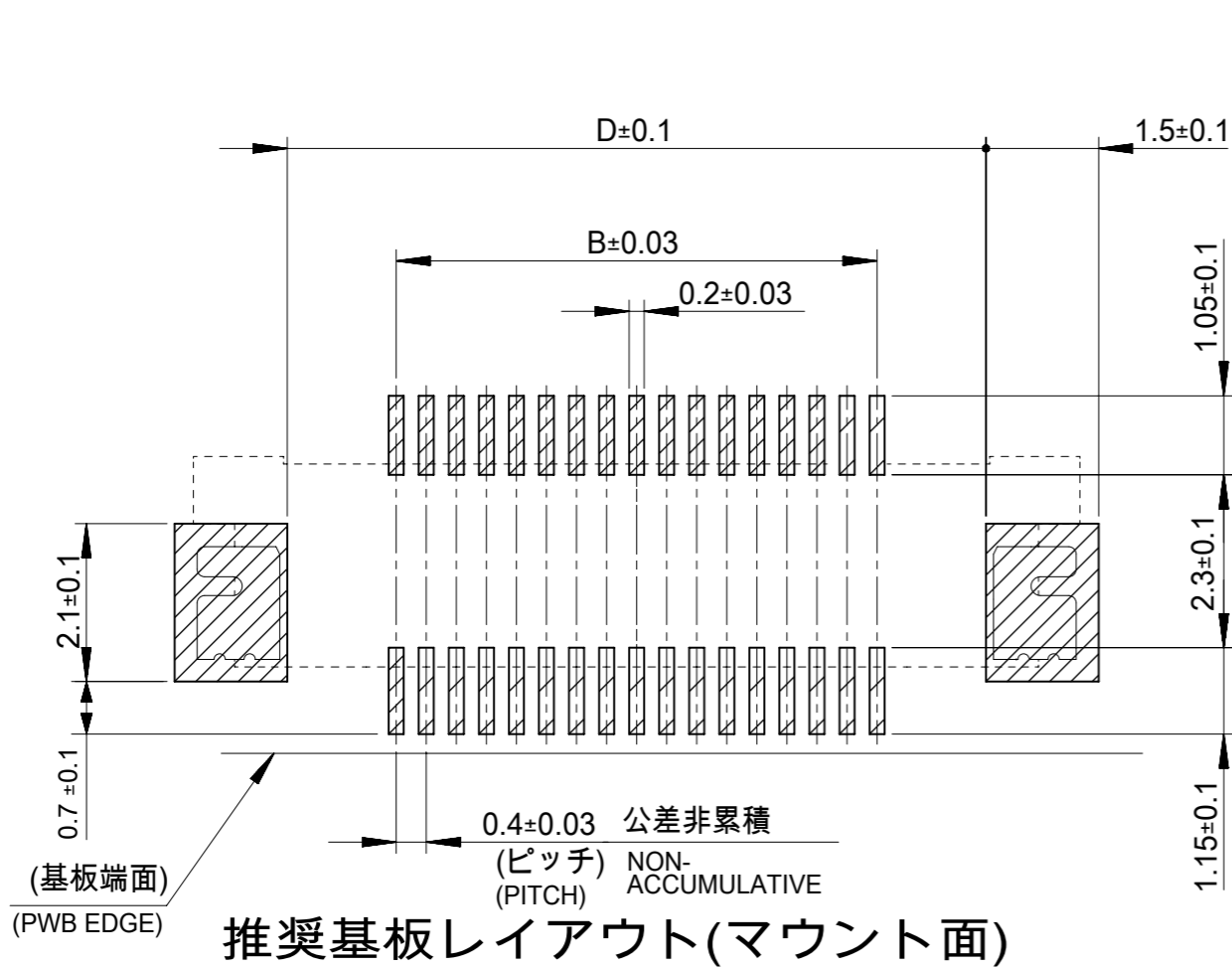


注記 NOTES

- 使用材料 MATERIAL
 ウエハー：液晶ポリマー ガラス充填 UL94V-0 黒色
 WAFER: LIQUID CRYSTAL POLYMER, GLASS FILLED, UL94V-0, COLOR BLACK
 ピン：リン青銅 (t=0.15)
 PIN: PHOSPHOR BRONZE (t=0.15)
 補強金具：リン青銅 (t=0.2)
 FITTING NAIL: PHOSPHOR BRONZE (t=0.2)
- メッキ仕様 PLATING
 ピン PIN
 金メッキ
 (コンタクト部とテール部)
 GOLD PLATING
 (CONTACT AND TAIL AREA)
 下地メッキ：ニッケルメッキ 1.5µm 以上
 UNDER PLATING: NICKEL 1.5 MICROMETER MINIMUM.
 補強金具 FITTING NAIL
 錫メッキ 1.0µm 以上
 TIN PLATING 1.0 MICROMETER MINIMUM.
 下地メッキ：ニッケルメッキ 1.0µm 以上
 UNDER PLATING: NICKEL 1.0 MICROMETER MINIMUM.
- テール部に適用。
 APPLY TO THE TAIL AREA.
- 嵌合相手：54552 シリーズ
 MATE WITH: 54552 SERIES.
- テール平坦度は、0.08 以下
 テール及び金具の平坦度は、0.1 以下
 TAIL COPLANARITY TO BE 0.08 MAXIMUM
 TAIL AND FITTING NAIL COPLANARITY TO BE 0.1 MAXIMUM
- ELV 及び RoHS 適合品
 ELV AND RoHS COMPLIANT
- 本製品は 503376-**19 のボス無し品である。
 THIS PRODUCT IS NON-BOSS VERSION OF 503376-**19.

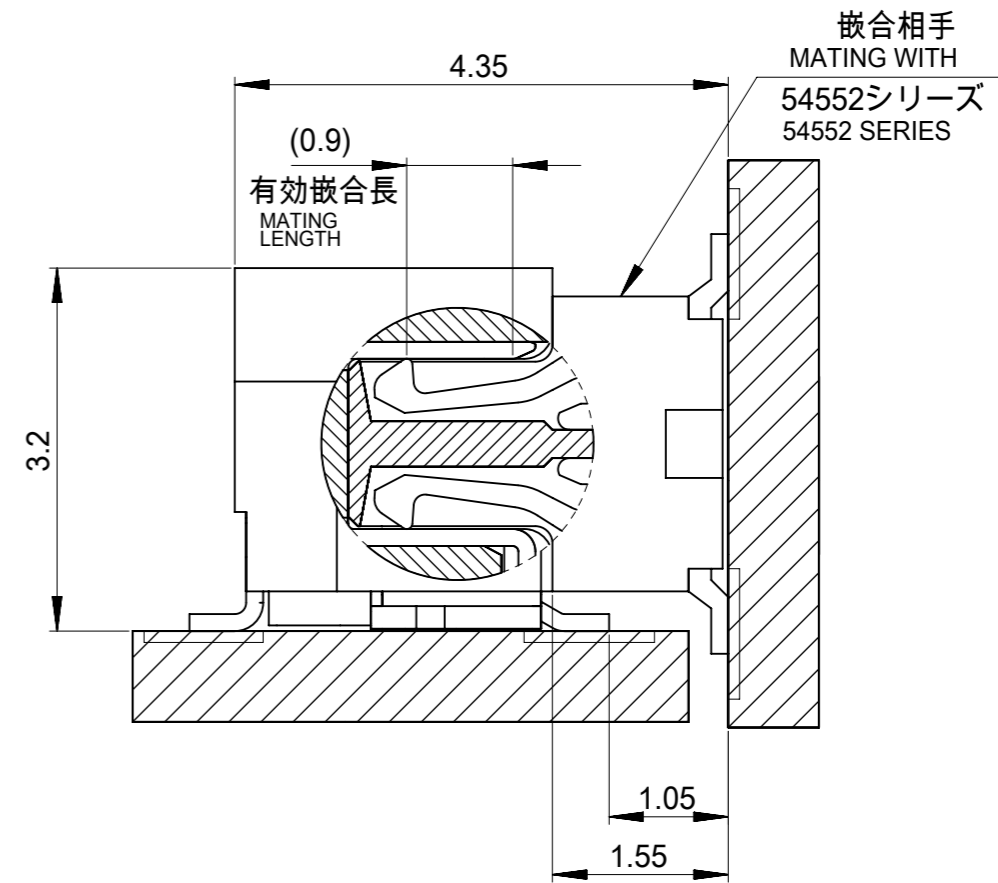
| | | | | | |
|------------------------|------|-----|----|--------------------|-------------|
| 12.5 | 13.9 | 9.6 | 15 | 503376-5020 | 50 |
| D | C | B | A | EMBOSSED TAPE PKG. | 極数 |
| ORDER No. オーダー番号 | | | | | CIRCUITS |
| CONNECTOR SERIES No. : | | | | | 503376-**29 |

| | | | |
|--|--------|---|---------------|
| GENERAL TOLERANCES (UNLESS SPECIFIED) | | THIS DRAWING CONTAINS INFORMATION THAT IS PROPRIETARY TO MOLEX ELECTRONIC TECHNOLOGIES, LLC AND SHOULD NOT BE USED WITHOUT WRITTEN PERMISSION | |
| 10 UNDER | ± 0.2 | DIMENSION UNITS | SCALE |
| 10 OVER 30 UNDER | ± 0.25 | mm | ±± |
| 30 OVER | ± 0.3 | CURRENT REV DESC: | |
| ANGULAR | ± 3° | EC NO: 732726 | |
| DRAFT WHERE APPLICABLE MUST REMAIN WITHIN DIMENSIONS | | DRWN: RAJAGN 2022/12/16 | |
| | | CHK'D: YNUKANOBU 2022/12/20 | |
| | | APPR: YNAITO 2022/12/20 | |
| | | INITIAL REVISION: | |
| | | DRWN: GMATSUNO 2012/08/31 | |
| | | APPR: TASAKAWA 2012/08/31 | |
| | | THIRD ANGLE PROJECTION | DRAWING |
| | | ⊕ | A3-SIZE |
| | | SERIES | 503376 |
| | | MATERIAL NUMBER | |
| | | CUSTOMER | |
| | | DOCUMENT NUMBER | SD-503376-003 |
| | | DOC TYPE | PSD |
| | | DOC PART | 001 |
| | | REVISION | A |
| | | SHEET NUMBER | 1 OF 2 |



推奨基板レイアウト(マウント面)

RECOMMENDED P.W.BOARD
PATTERN DIMENSION. (REFERENCE)
(MOUNTING AREA)

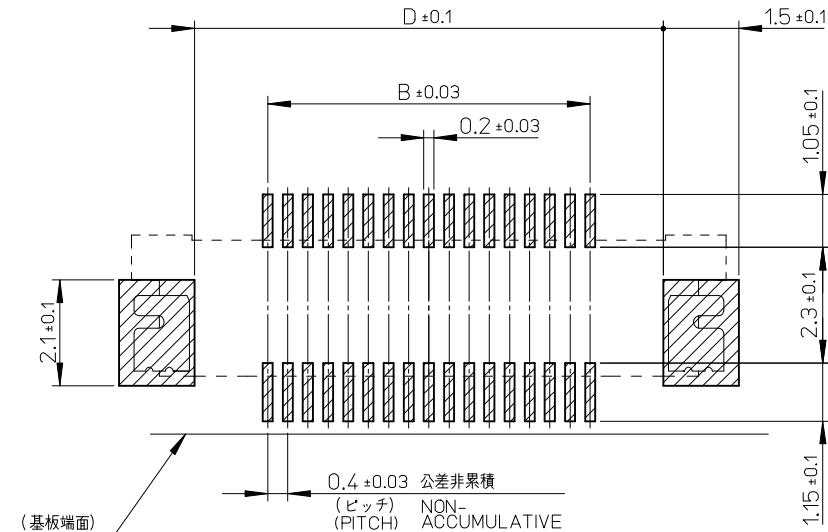


嵌合断面 (参考)

MATED DRAWING(REFERENCE)

CONNECTOR SERIES No. 503376-**29

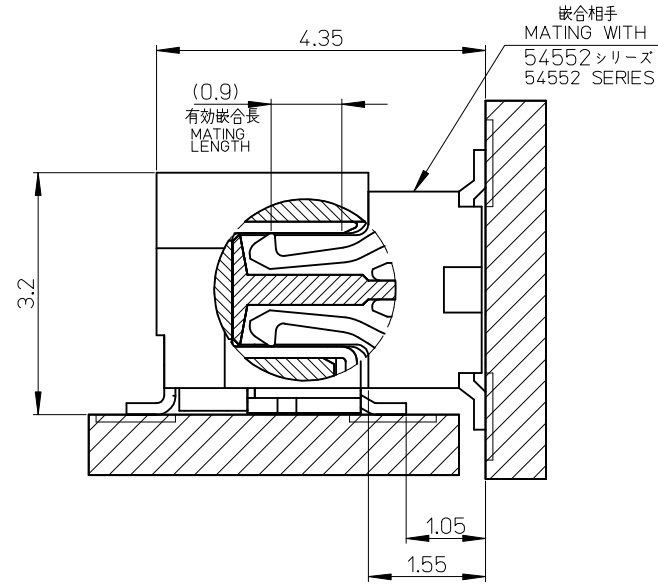
| | | | | | | |
|--|--|---|---------------------------|--|--------|-----------------|
| GENERAL TOLERANCES (UNLESS SPECIFIED) | | THIS DRAWING CONTAINS INFORMATION THAT IS PROPRIETARY TO MOLEX ELECTRONIC TECHNOLOGIES, LLC AND SHOULD NOT BE USED WITHOUT WRITTEN PERMISSION | | <p style="text-align: center;">molex</p> <p style="text-align: center;">0.4 B-TO-B CONN. RA PLUG NAIL ASSY (WITHOUT BOSS)</p> <p style="text-align: center;">PRODUCT CUSTOMER DRAWING</p> | | |
| | | DIMENSION UNITS | SCALE | | | |
| 10 UNDER ± 0.2 | | mm | ± | EC NO: 732726 | | |
| 10 OVER 30 UNDER ± 0.25 | | GENERAL TOLERANCES (UNLESS SPECIFIED) | | DRWN: RAJAGN 2022/12/16 | | |
| 30 OVER ± 0.3 | | | | CHK'D: YNUKANOBU 2022/12/20 | | |
| ANGULAR ± 3° | | ANGULAR TOL ± 3.0° | | APPR: YNAITO 2022/12/20 | | |
| DRAFT WHERE APPLICABLE MUST REMAIN WITHIN DIMENSIONS | | 4 PLACES ± 0.2 | INITIAL REVISION: | | | |
| | | 3 PLACES ± 0.25 | DRWN: GMATSUNO 2012/08/31 | | | |
| DRAFT WHERE APPLICABLE MUST REMAIN WITHIN DIMENSIONS | | 2 PLACES ± 0.3 | APPR: TASAKAWA 2012/08/31 | | | |
| | | 1 PLACE ± 0.1 | THIRD ANGLE PROJECTION | | | |
| | | 0 PLACES ± | DRAWING | | SERIES | MATERIAL NUMBER |
| | | THIRD ANGLE PROJECTION | | A3-SIZE | 503376 | CUSTOMER |
| | | | | | | DOCUMENT NUMBER |
| | | | | | | SD-503376-003 |
| | | | | | | DOC TYPE |
| | | | | | | PSD |
| | | | | | | DOC PART |
| | | | | | | 001 |
| | | | | | | REVISION |
| | | | | | | A |
| | | | | | | SHEET NUMBER |
| | | | | | | 2 OF 2 |



(基板端面)
(PWB EDGE)

推奨基板レイアウト(マウント面)

RECOMMENDED P.W.BOARD
PATTERN DIMENSION. (REFERENCE)
(MOUNTING AREA)



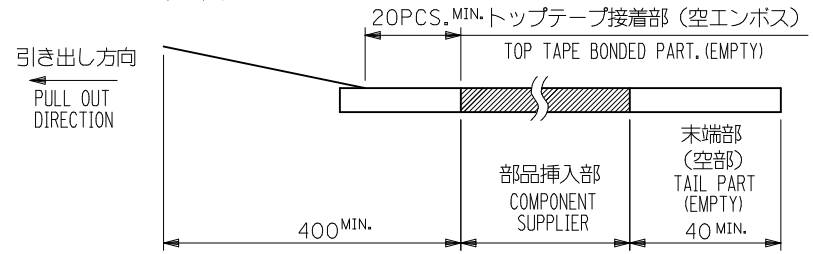
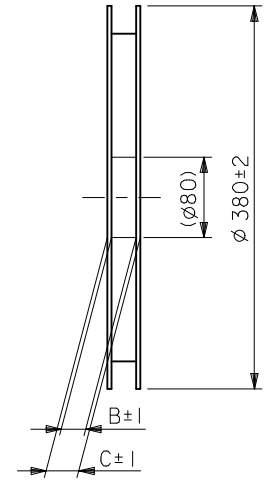
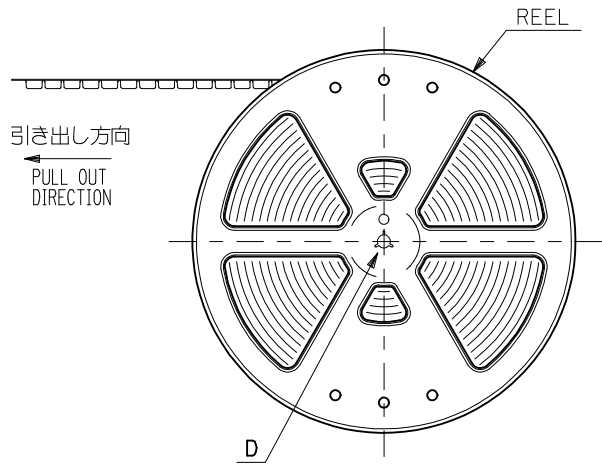
嵌合断面 (参考)

MATED DRAWING(REFERENCE)

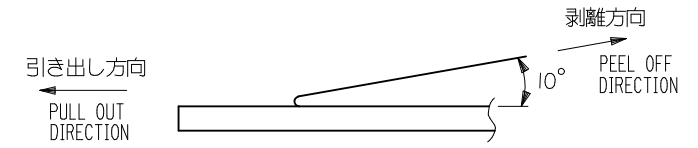
| | | | |
|--|---|---|--------------------------------------|
| RELEASED EC NO: J2013-0242 DRWG: GMATSUNO 2012/08/31 CHKD: TASAKAWA 2012/08/31 APPR: TASAKAWA 2012/08/31 REV: 0 | DESCRIPTION GENERAL TOLERANCES (UNLESS SPECIFIED) DIMENSION STYLE MM ONLY SCALE --- DESIGN UNITS METRIC THIRD ANGLE PROJECTION TITLE 0.4 B-TO-B CONN. RA PLUG NAIL ASSY (WITHOUT BOSS) molex DOCUMENT NO. SD-503376-003 SHEET NO. 2 OF 2 | CONNECTOR SERIES No. 503376-**29 | |
| | | 10 UNDER ± 0.2 | DRAWN BY GMATSUNO DATE 2012/08/27 |
| | | 10 OVER 30 UNDER ± 0.25 | CHECKED BY TASAKAWA DATE 2012/08/27 |
| | | 30 OVER ± 0.3 | APPROVED BY TASAKAWA DATE 2012/08/31 |
| | | ANGULAR ± 3 ° DRAFT WHERE APPLICABLE MUST REMAIN WITHIN DIMENSIONS | MATERIAL NO. SEE CHART |

NOTES

- 製品詳細寸法については SD-503376-003 を参照ください。
RE DETAILED DIMENSION, SEE SD-503376-003
- 梱包数量：1500個/リール
NUMBER OF CONNECTORS : 1500PCS/REEL
- リードテープ長さ LEAD TAPE LENGTH



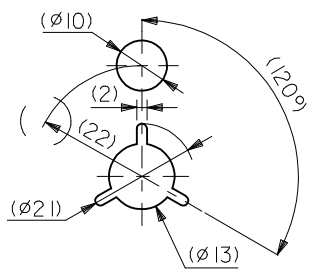
- トップテープの剥離強度：0.1 ~ 1.3N {10 ~ 130gf} (剥離方向は下図参照)
尚、本規格値は出荷時に適用。(但し、輸送時に剥離が発生しないこと。)
PEELING OFF FORCE OF TOP TAPE : 0.1 ~ 1.3N {10 ~ 130gf}
(PEELING DIRECTION AS SHOWN IN FOLLOWING FIG.)
THIS REQUIREMENT SHOULD BE APPLIED AT SHIPMENT.
PEEL OFF SHOULD NOT BE ALLOWED , DURING TRANSPORTATION.



- 材料 (MATERIAL)
キャリアテープ (CARRIER TAPE) : ポリプロピレン (POLYPROPYLENE)
トップテープ (TOPTAPE) : PET , PE , PEF
リール (REEL) : ポリスチレン (P S) (リサイクル材を含む)
POLYSTYRENE (PS) <RECYCLE MATERIAL CONTAINED>

- ELV 及び RoHS 適合品
ELV AND RoHS COMPLIANT.

- 本製品は、503376-**10 のボス無し品である。
THIS PRODUCT IS NON-BOSS VERSION OF 503376-**10.

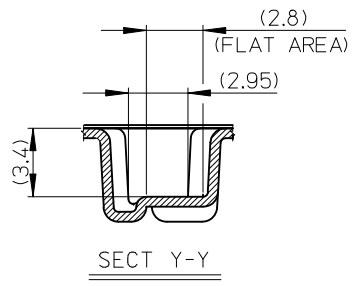
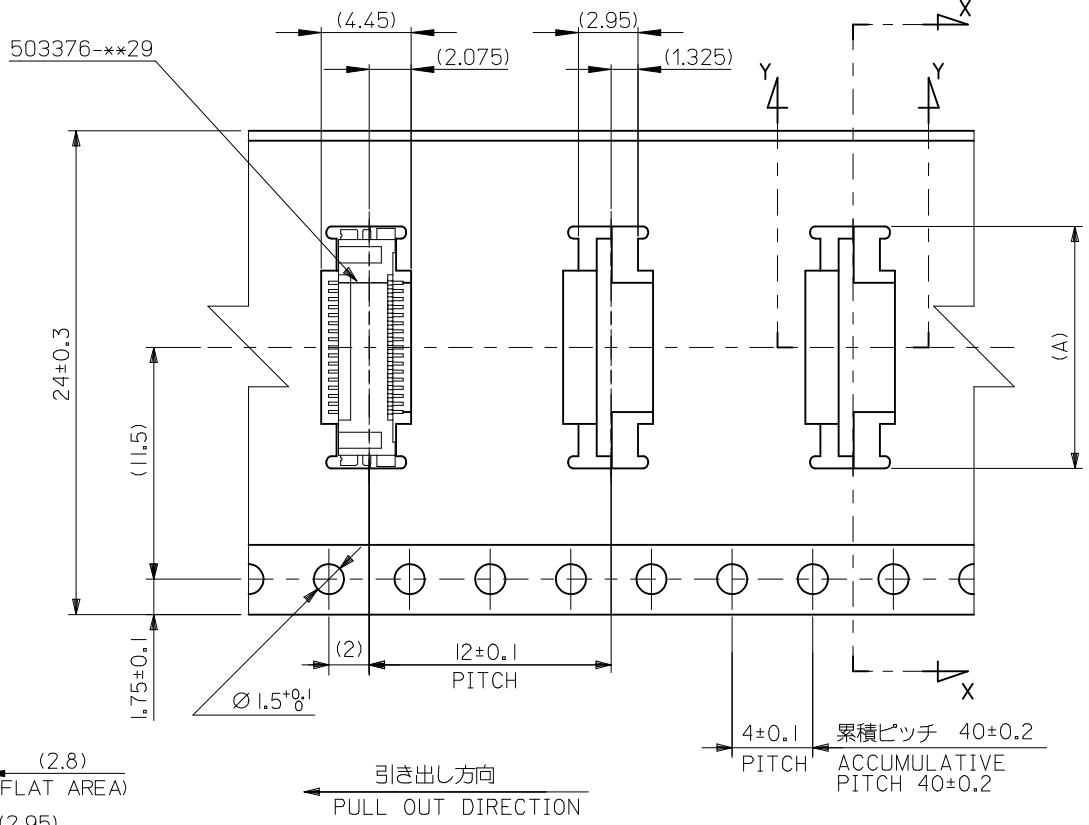
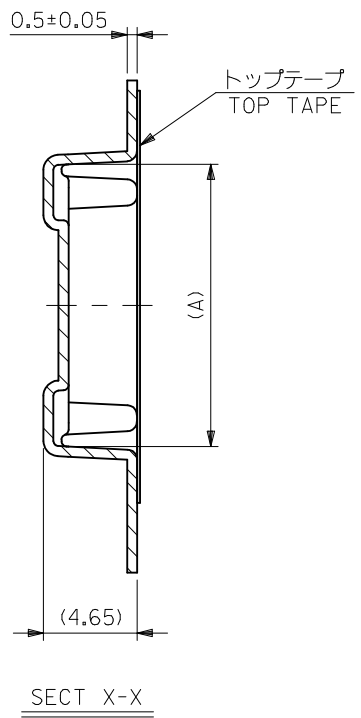


DETAIL D

| | |
|--------------------|----------|
| 503376-5020 | 50 |
| EMBOSSED TAPE PKG. | 極数 |
| ORDER No. オーダー番号 | CIRCUITS |

CONNECTOR SERIES NO. 503376-**20

| | | | | | | | | | | |
|---|-----------------------|---------------------------------------|-------|--|--------------------|--|------------------------|------------------------|--|-----------|
| RELEASED EC NO.: J2013-0242 DRWG: GMATSUNO 2012/08/31 CHKD: TASAKAWA 2012/08/31 APPR: TASAKAWA 2012/08/31 | DESCRIPTION REV: 0 | GENERAL TOLERANCES (UNLESS SPECIFIED) | | DIMENSION STYLE MM ONLY | | SCALE --- | DESIGN UNITS METRIC | THIRD ANGLE PROJECTION | | |
| | | 10 UNDER | ±0.2 | DRAWN BY GMATSUNO | DATE 2012/08/27 | TITLE EMBSTP PKG FOR 0.4 B/B CONN. RA PLUG NAIL ASSY WITHOUT BOSS | | | | |
| | | 10 OVER 30 UNDER | ±0.25 | CHECKED BY TASAKAWA | DATE 2012/08/27 | molex SD-503376-004 SHEET NO. 1 OF 2 | | | | |
| | | 30 OVER | ±0.3 | APPROVED BY TASAKAWA | DATE 2012/08/31 | | | | | |
| | | ANGULAR ±3 ° | | DRAFT WHERE APPLICABLE MUST REMAIN WITHIN DIMENSIONS | | MATERIAL NO. SEE CHART | | DOCUMENT NO. | | SHEET NO. |
| THIS DRAWING CONTAINS INFORMATION THAT IS PROPRIETARY TO MOLEX INCORPORATED AND SHOULD NOT BE USED WITHOUT WRITTEN PERMISSION | | | | | | | | | | |



24mm幅キャリアテープ
24mm WIDTH CARRIER TAPE

| | | | | | |
|--------------------------------|------|------|------|--|----------------|
| 24 | 29.4 | 25.4 | 15.2 | 503376-5020 | 50 |
| キャリアテープ幅 CARRIER TAPE WIDTH | C | B | (A) | EMBOSSED TAPE PKG. ORDER No. オーダー番号 | 極数 CIRCUITS |

| | | | | | | |
|--|---|---------------------------|----------------------------|--|--|--------------------------|
| RELEASED EC NO: J2013-0242 DRWG: GMATSUNO 2012/08/31 CHKD: TASAKAWA 2012/08/31 APPR: TASAKAWA 2012/08/31 | GENERAL TOLERANCES (UNLESS SPECIFIED) | | DIMENSION STYLE MM ONLY | | SCALE --- | MODEL NO. 503376-**20 |
| | 10 UNDER | ±0.2 | DRAWN BY GMATSUNO | DATE 2012/08/27 | TITLE EMBSTP PKG FOR 0.4 B/B CONN. RA PLUG NAIL ASSY WITHOUT BOSS | |
| | 10 OVER 30 UNDER | ±0.25 | CHECKED BY TASAKAWA | DATE 2012/08/27 | molex DOCUMENT NO. SD-503376-004 SHEET NO. 2 OF 2 | |
| | 30 OVER | ±0.3 | APPROVED BY TASAKAWA | DATE 2012/08/31 | | |
| 0 | DESCRIPTION ANGULAR ±3 ° DRAFT WHERE APPLICABLE MUST REMAIN WITHIN DIMENSIONS | MATERIAL NO. SEE CHART | | THIS DRAWING CONTAINS INFORMATION THAT IS PROPRIETARY TO MOLEX INCORPORATED AND SHOULD NOT BE USED WITHOUT WRITTEN PERMISSION | | |