

182198-1 ✓ ACTIVE

AMPMODU | AMPMODU MOD 1

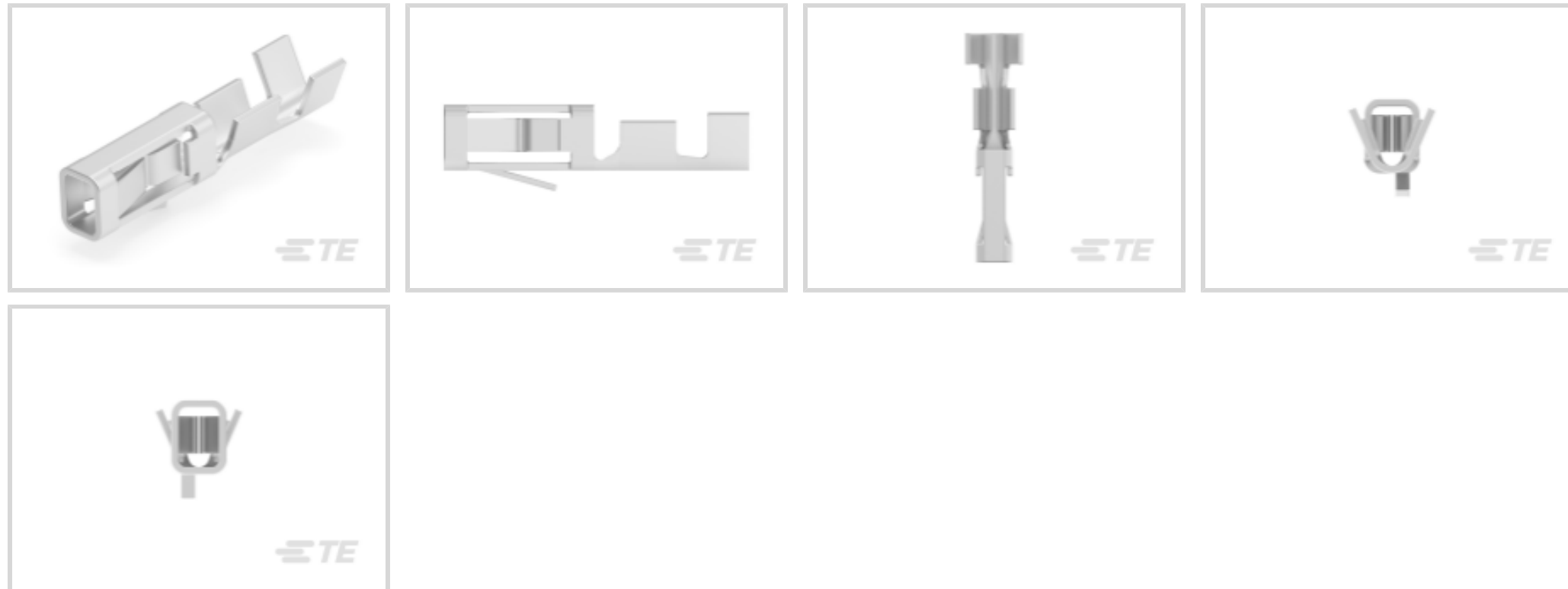
TE Internal #: 182198-1

Socket Contact, Tin, 22 – 18 AWG Wire Size, .3 – .9 mm² Wire Size, Phosphor Bronze, Signal, -40 – 221 °F [-40 – 105 °C], AMPMODU MOD 1

[View on TE.com >](#)



Connectors > Contacts > Connector Contacts



Contact Type: **Socket**

Contact Mating Area Plating Material: **Tin**

Wire Size: **.3 – .9 mm²**

Contact Base Material: **Phosphor Bronze**

Features

Product Type Features

Applied Pressure	High
------------------	------

Contact Features

PCB Contact Termination Area Plating Material Thickness	.762 μm[30 μin]
Contact Mating Area Plating Material Thickness	.762 μm[30 μin]
Contact Orientation	Straight
PCB Contact Termination Area Plating Material	Tin
Contact Type	Socket
Contact Mating Area Plating Material	Tin
Contact Base Material	Phosphor Bronze
Contact Current Rating (Max)	5 A

Termination Features

Product Terminates To	Wire & Cable
-----------------------	--------------

Mechanical Attachment

Wire Insulation Support	With
-------------------------	------



PCB Mount Retention

Without

Dimensions

Compatible Insulation Diameter Range

1.8 – 2.3 mm [.071 – .091 in]

Wire Size

.3 – .9 mm²

Usage Conditions

Operating Temperature Range

-40 – 105 °C [-40 – 221 °F]

Operation/Application

Circuit Application

Signal

Packaging Features

Packaging Quantity

2000

Packaging Method

Loose Piece

Product Compliance

For compliance documentation, visit the product page on [TE.com](https://www.te.com)>

EU RoHS Directive 2011/65/EU

Compliant

EU ELV Directive 2000/53/EC

Compliant

China RoHS 2 Directive MIIT Order No 32, 2016

No Restricted Materials Above Threshold

EU REACH Regulation (EC) No. 1907/2006

Current ECHA Candidate List: JUNE 2023 (235)
 Candidate List Declared Against: JUNE 2023 (235)
 Does not contain REACH SVHC

Halogen Content

Low Halogen - Br, Cl, F, I < 900 ppm per homogenous material. Also BFR/CFR/PVC Free

Solder Process Capability

Not applicable for solder process capability

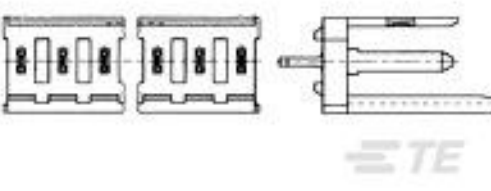
Product Compliance Disclaimer

This information is provided based on reasonable inquiry of our suppliers and represents our current actual knowledge based on the information they provided. This information is subject to change. The part numbers that TE has identified as EU RoHS compliant have a maximum concentration of 0.1% by weight in homogenous materials for lead, hexavalent chromium, mercury, PBB, PBDE, DBP, BBP, DEHP, DIBP, and 0.01% for cadmium, or qualify for an exemption to these limits as defined in the Annexes of Directive 2011/65/EU (RoHS2). Finished electrical and electronic equipment products will be CE marked as required by Directive 2011/65/EU. Components may not be CE marked. Additionally, the part numbers that TE has identified as EU ELV compliant have a maximum concentration of 0.1% by weight in homogenous materials for lead, hexavalent chromium, and mercury, and 0.01% for cadmium, or qualify for an exemption to these limits as defined in the Annexes of Directive 2000/53/EC (ELV). Regarding the REACH Regulation, the information TE provides on SVHC in articles for this part number is based on the latest European Chemicals Agency (ECHA) 'Guidance on requirements for substances in articles' posted at this URL: <https://echa.europa.eu/guidance-documents/guidance-on-reach>

Compatible Parts



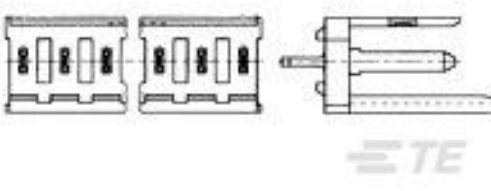
TE Part # 843473-1
EXTRACTION TOOL



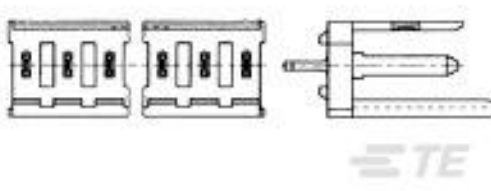
TE Part # 280612-2
8P MOD 1 SHROUDED HEADER, ST,
0.4 Au



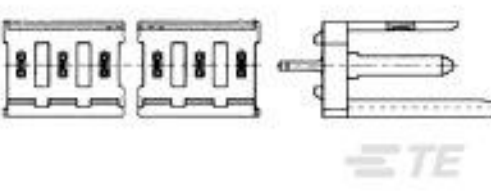
TE Part # 280611-2
6P MOD 1 SHROUDED HEADER, ST,
0.4 Au



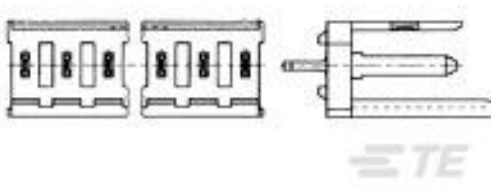
TE Part # 280616-1
4P MOD 1 P.S.ASSY.



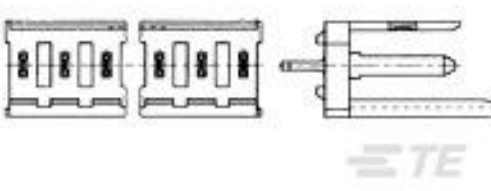
TE Part # 280612-1
8P MOD 1 SHROUDED HEADER, ST,
TIN PLTD



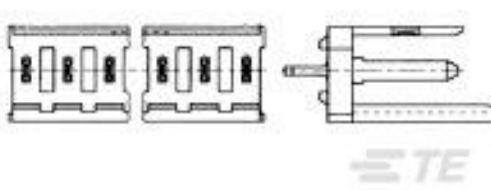
TE Part # 280618-2
MOD I INCREMENTAL ASSY



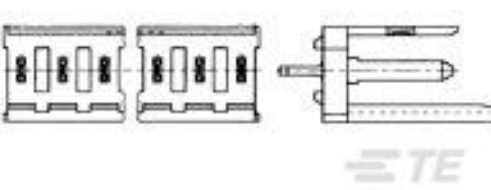
TE Part # 280616-2
MOD I INCREMENTAL ASSY



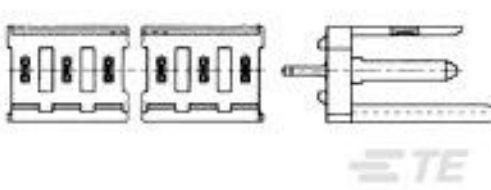
TE Part # 280610-2
4P MOD 1 SHROUDED HEADER, ST,
0.4 Au



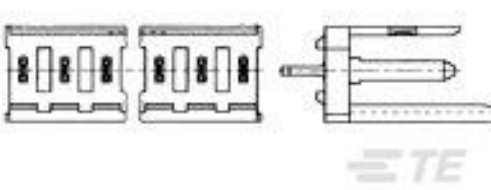
TE Part # 280613-1
10P MOD 1 SHROUDED HEADER, ST,
TIN PLTD



TE Part # 280617-2
MOD I INCREMENTAL ASSY



TE Part # 280609-2
2P MOD 1 SHROUDED HEADER, ST,
0.4 Au



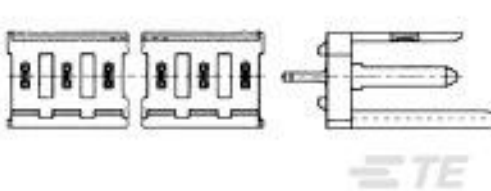
TE Part # 280609-1
2P MOD 1 SHROUDED HEADER, ST,
TIN PLTD



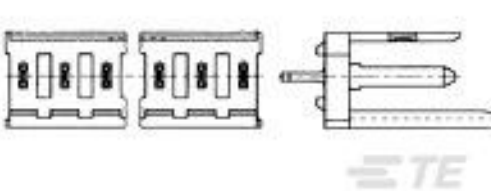
TE Part # 280610-1
4P MOD 1 SHROUDED HEADER, ST,
TIN PLTD



TE Part # 280615-2
MOD I INCREMENTAL ASSY



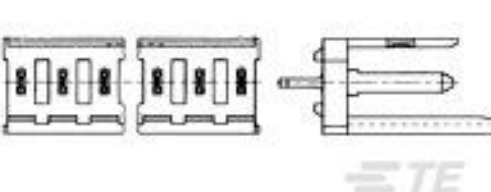
TE Part # 280611-1
6P MOD 1 SHROUDED HEADER, ST,
TIN PLTD



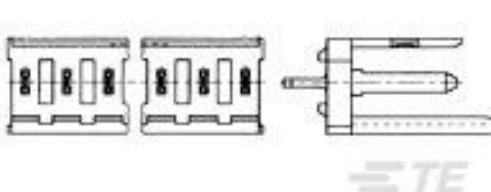
TE Part # 280615-1
02P MOD 1 ASSY.



TE Part # 280613-2
10P MOD 1 SHROUDED HEADER, ST,
0.4 Au



TE Part # 280614-1
12P MOD 1 SHROUDED HEADER, ST,
TIN PLTD



TE Part # 280617-1
06P MOD 1 P.S.ASSY

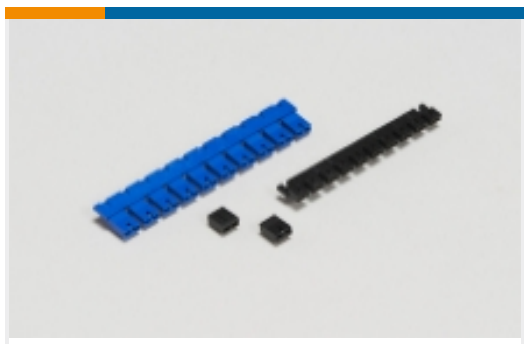


TE Part # 280614-2
12P MOD 1 SHROUDED HEADER, ST,
0.4 Au

Also in the Series | AMPMODU MOD 1



Automotive Terminals(4)



Board-to-Board Jumpers & Shunts(5)



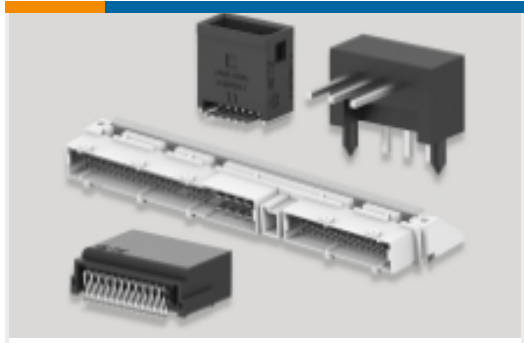
Connector Contacts(108)



Connector Hardware(2)



Insertion & Extraction Tools(1)



PCB Headers & Receptacles(341)

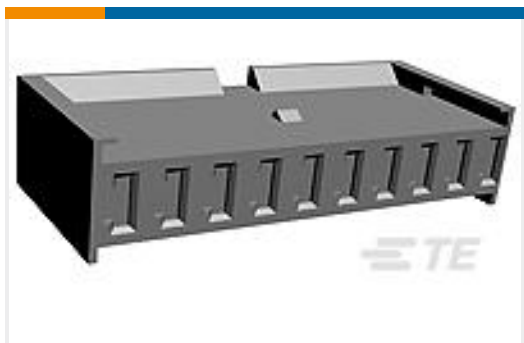


Wire-to-Board Connector Assemblies & Housings(32)

Customers Also Bought



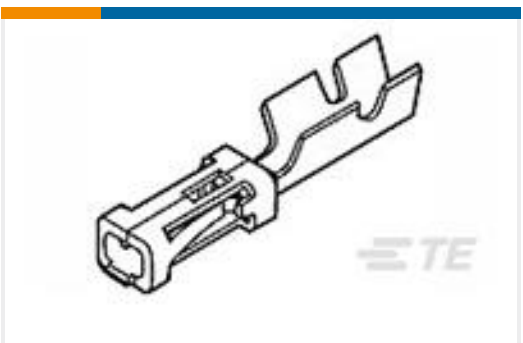
TE Part #1-1462038-3
IM03NS=IM RELAY 140mW 5V



TE Part #280594
AMP MODU MOD I RECEPT HSG



TE Part #280593
AMP MODU MOD I RECEPT HSG



TE Part #141708-1
MOD-4 REC.CONT.SCP.



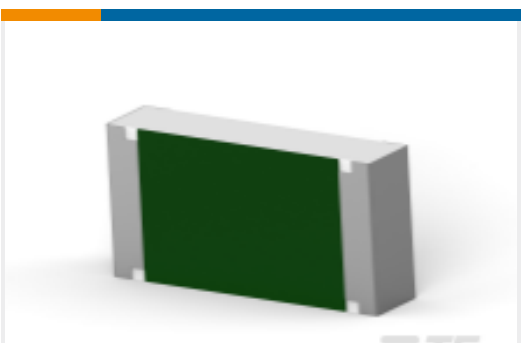
TE Part #1-1634009-0
MMCX Str PCB Skt 50Ohm Gold Pl



TE Part #2176251-1
CRGS2010 5% 1R0



TE Part #3-1393779-8
V23101D 107B201



TE Part #2-2176397-9
3502 15R 1%



TE Part #1-1676123-3
1/2W SM M/OX 5% 2R7

Documents



Product Drawings

MOD 1 CONTACT

English

CAD Files

Customer View Model

[ENG_CVM_182198-1_A.3d_igs.zip](#)

English

Customer View Model

[ENG_CVM_182198-1_A.3d_stp.zip](#)

English

Customer View Model

[ENG_CVM_182198-1_A.2d_dxf.zip](#)

English

3D PDF

English

By downloading the CAD file I accept and agree to the [Terms and Conditions](#) of use.

Product Specifications

Application Specification

English