

172615-2 ✓ ACTIVE



[Positive Lock](#) | [Positive Lock 312](#)

TE Internal #: 172615-2

Crimp Terminal Housings, Receptacle, Receptacle, 3 Position, Flag, UL 94V-2, Black, Nylon 66, Contact Mating Retention, Positive Lock 312

[View on TE.com >](#)

Terminals & Splices > Terminal Housings, Insulation Sleeves & Blocks > Crimp Terminal Housings



Terminal Type: **Receptacle**

Connector & Housing Type: **Receptacle**

Number of Positions: **3**

Terminal Orientation: **Flag**

UL Flammability Rating: **UL 94V-2**

Features

Product Type Features

| | |
|-----------------------------------|--------------|
| Sealable | No |
| Connector System | Wire-to-Wire |
| Connector & Contact Terminates To | Wire & Cable |
| Connector & Housing Type | Receptacle |

Configuration Features

| | |
|---------------------|---|
| Number of Positions | 3 |
|---------------------|---|

Body Features

| | |
|-----------------------|-------|
| Primary Product Color | Black |
|-----------------------|-------|

Contact Features

| | |
|--------------------------|------------|
| Terminal Type | Receptacle |
| Terminal Orientation | Flag |
| Contact Mating Retention | With |

Mechanical Attachment



| | |
|-------------------------|----------------------------|
| Mating Alignment | With |
| Connector Mounting Type | Cable Mount (Free-Hanging) |

Housing Features

| | |
|------------------|----------|
| Housing Material | Nylon 66 |
|------------------|----------|

Usage Conditions

| | |
|-----------------------------|----------------------------|
| Operating Temperature Range | -40 – 105 °C[-40 – 221 °F] |
|-----------------------------|----------------------------|

Industry Standards

| | |
|------------------------|----------|
| UL Flammability Rating | UL 94V-2 |
|------------------------|----------|

Packaging Features

| | |
|--------------------|-----|
| Packaging Quantity | 100 |
| Packaging Method | Bag |

Product Compliance

[For compliance documentation, visit the product page on TE.com>](#)

| | |
|---|---|
| EU RoHS Directive 2011/65/EU | Compliant |
| EU ELV Directive 2000/53/EC | Compliant |
| China RoHS 2 Directive MIIT Order No 32, 2016 | No Restricted Materials Above Threshold |
| EU REACH Regulation (EC) No. 1907/2006 | Current ECHA Candidate List: JUNE 2023 (235) Candidate List Declared Against: JUNE 2023 (235) Does not contain REACH SVHC |
| Halogen Content | Low Halogen - Br, Cl, F, I < 900 ppm per homogenous material. Also BFR/CFR/PVC Free |
| Solder Process Capability | Not applicable for solder process capability |

Product Compliance Disclaimer

This information is provided based on reasonable inquiry of our suppliers and represents our current actual knowledge based on the information they provided. This information is subject to change. The part numbers that TE has identified as EU RoHS compliant have a maximum concentration of 0.1% by weight in homogenous materials for lead, hexavalent chromium, mercury, PBB, PBDE, DBP, BBP, DEHP, DIBP, and 0.01% for cadmium, or qualify for an exemption to these limits as defined in the Annexes of Directive 2011/65/EU (RoHS2). Finished electrical and electronic equipment products will be CE marked as required by Directive 2011/65/EU. Components may not be CE marked. Additionally, the part numbers that TE has identified as EU ELV compliant have a maximum concentration of 0.1% by weight in homogenous materials for lead, hexavalent chromium, and mercury, and 0.01% for cadmium, or qualify for an exemption to these limits as defined in the Annexes of Directive 2000/53/EC (ELV). Regarding the REACH Regulation, the information TE provides on SVHC in articles for this part number is based on the latest European Chemicals Agency (ECHA) 'Guidance on requirements for substances in articles' posted at this URL: <https://echa.europa.eu/guidance-documents/guidance-on-reach>

Compatible Parts



TE Part # 172796-1
PL 312 FLAG REC 20-14 0.32 X 24.9
PTPBR



TE Part # 172795-1
PL 312 FLAG REC 20-14 0.32 X 24.9
PTPBR



TE Part # 900318-1
PL 312 FLAG REC 20-18AWG 0.32X24.
9 PTPBR



TE Part # 900319-1
PL 312 FLAG REC 20-18AWG 0.32X24.
9 PTPBR

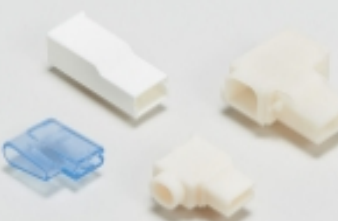


TE Part # 172864-1
250 POSITIVE DBL LOCK 2P NATUR




TE Part # 724719-1
EXT.TOOL FOR SHIELD BEAM


Also in the Series | Positive Lock 312



Crimp Terminal Housings(4)



Insertion & Extraction Tools(1)



Quick Disconnects(5)

Customers Also Bought



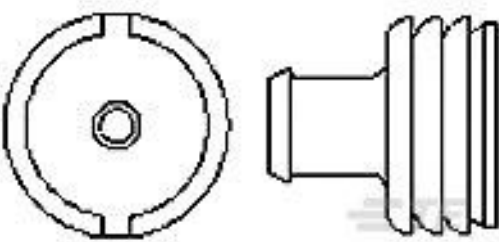
TE Part #936271-1
090III 6P(D) CAP ASSY



TE Part #5-1534116-1
MQS0,63 SN REC CB UNSEAL. 0,25-
0,35 2P



TE Part #964740-1
KONTAKTSICHERUNG24P



TE Part #967610-1
MPO EINZELLEITDICHT



Documents

Product Drawings

POSITIVE LOCK 312 HOUSING RECEPTACLE

English

CAD Files

Customer View Model

[ENG_CVM_172615-2_C.3d_igs.zip](#)

English

Customer View Model

[ENG_CVM_172615-2_C.3d_stp.zip](#)

English

Customer View Model

[ENG_CVM_172615-2_C.2d_dxf.zip](#)

English

3D PDF

English

3D PDF

3D

Customer View Model

[ENG_CVM_CVM_172615-2_F.2d_dxf.zip](#)

English

Customer View Model

[ENG_CVM_CVM_172615-2_F.3d_igs.zip](#)

English

Customer View Model

[ENG_CVM_CVM_172615-2_F.3d_stp.zip](#)

English



By downloading the CAD file I accept and agree to the [Terms and Conditions](#) of use.

Product Specifications

Application Specification

Japanese

APPLICATION SPECIFICATION; CRIMPING "312" SERIES, POSITIVE LOCK FLAG RECEPTACLE CONTACT

Japanese

Application Specification

English

APPLICATION SPECIFICATION; CRIMPING "312" SERIES, POSITIVE LOCK FLAG RECEPTACLE CONTACT

English