

3-1437719-3 ✓ ACTIVE



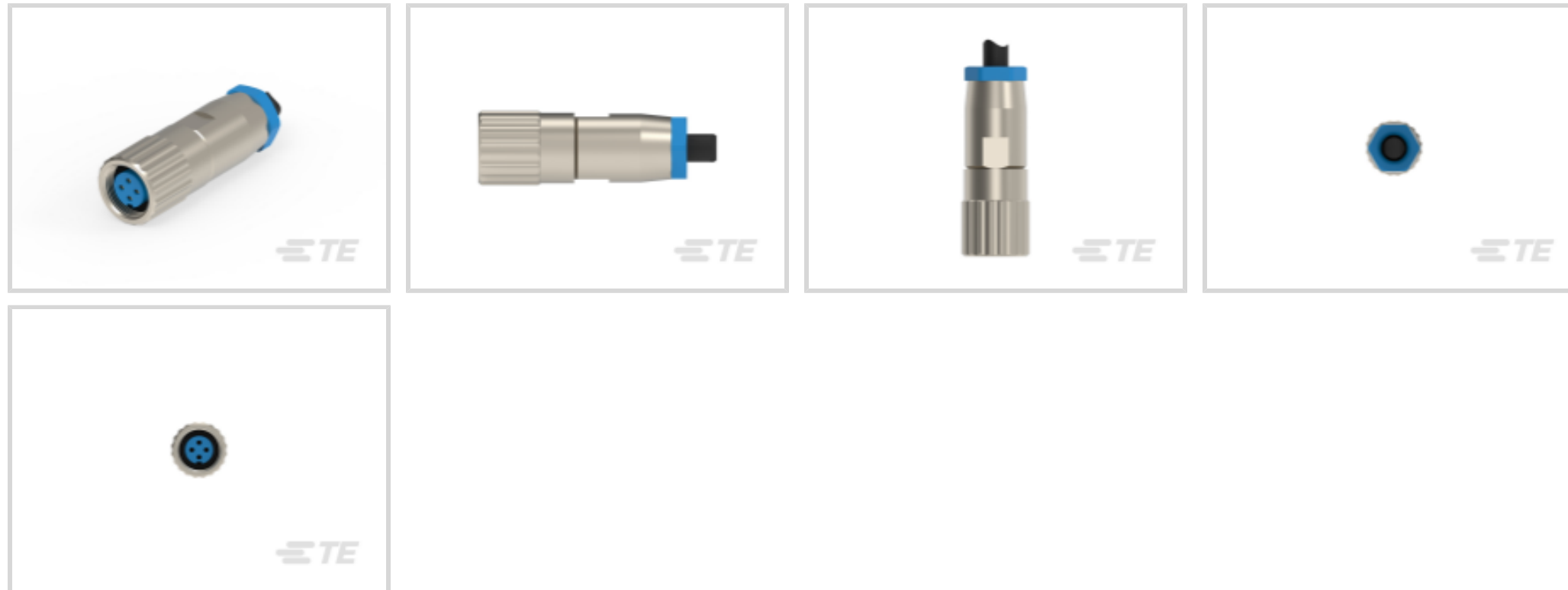
[Triad 01 Cable Plug](#), [Triad 01 Solder](#)

TE Internal #: 3-1437719-3

Standard Circular Connectors, Cable-to-Cable, 4 Position, Sealable, Wire & Cable, Signal, Reverse Gender, Nickel, CuZn, PBT, Triad 01 Cable Plug

[View on TE.com >](#)

Connectors > Circular Connectors > Standard Circular Connectors



Connector System: **Cable-to-Cable**

Number of Positions: **4**

Sealable: **Yes**

Connector & Contact Terminates To: **Wire & Cable**

Contact Current Rating (Max): **3 A**

## Features

### Product Type Features

|                                   |                    |
|-----------------------------------|--------------------|
| Product Type                      | Connector Assembly |
| Prewired                          | Yes                |
| Connector System                  | Cable-to-Cable     |
| Sealable                          | Yes                |
| Connector & Contact Terminates To | Wire & Cable       |
| Circular Connector Type           | Receptacle         |
| Shell Type                        | Metal              |

### Configuration Features

|                            |     |
|----------------------------|-----|
| Number of Positions        | 4   |
| Number of Power Positions  | 0   |
| Number of Signal Positions | 4   |
| Contacts Preloaded         | Yes |

### Electrical Characteristics

|                   |        |
|-------------------|--------|
| Operating Voltage | 60 VAC |
|-------------------|--------|



### Body Features

|   |        |
|---|--------|
| Environmental Protection Type               | Sealed |
| Environmental Protection                    | With   |
| Shell Plating Material                      | Nickel |
| Shell Base Material                         | CuZn   |
| Circular Connector Insulation Material Type | PBT    |
| Hermetically Sealed                         | No     |

### Contact Features

|                                 |          |
|---------------------------------|----------|
| Contact Current Rating (Max)    | 3 A      |
| Reverse Gender                  | Yes      |
| Contact Layout Arrangement      | Circular |
| Circular Connector Contact Type | Socket   |

### Mechanical Attachment

|                  |      |
|------------------|------|
| Mating Retention | With |
|------------------|------|

### Dimensions

|                                      |                     |
|--------------------------------------|---------------------|
| Compatible Insulation Diameter Range | 5 mm                |
| Assembly Length                      | 38 mm               |
| Wire Size                            | .25 mm <sup>2</sup> |

### Usage Conditions

|                             |                           |
|-----------------------------|---------------------------|
| Operating Temperature Range | -40 – 80 °C[-40 – 176 °F] |
|-----------------------------|---------------------------|

### Operation/Application

|                     |        |
|---------------------|--------|
| Circuit Application | Signal |
| Shielded            | No     |

### Industry Standards

|                        |          |
|------------------------|----------|
| UL Flammability Rating | UL 94V-2 |
|------------------------|----------|

### Packaging Features

|                    |    |
|--------------------|----|
| Packaging Quantity | 25 |
|--------------------|----|

### Product Compliance

For compliance documentation, visit the product page on TE.com>

|                              |                           |
|------------------------------|---------------------------|
| EU RoHS Directive 2011/65/EU | Compliant with Exemptions |
|------------------------------|---------------------------|



EU ELV Directive 2000/53/EC

Compliant with Exemptions

China RoHS 2 Directive MIIT Order No 32, 2016

Restricted Materials Above Threshold

EU REACH Regulation (EC) No. 1907/2006

Current ECHA Candidate List: JUNE 2023 (235)

Candidate List Declared Against: JUNE 2023 (235)

SVHC > Threshold:

Pb (3% in Component Part)

**Article Safe Usage Statements:**

Do not eat, drink or smoke when using this product. Wash thoroughly after handling. Recycle if possible and dispose of the article by following all applicable governmental regulations relevant to your geographic location.

Halogen Content

Low Halogen - Br, Cl, F, I < 900 ppm per homogenous material. Also BFR/CFR/PVC Free

Solder Process Capability

Hand solderable with lead free solder

**Product Compliance Disclaimer**

This information is provided based on reasonable inquiry of our suppliers and represents our current actual knowledge based on the information they provided. This information is subject to change. The part numbers that TE has identified as EU RoHS compliant have a maximum concentration of 0.1% by weight in homogenous materials for lead, hexavalent chromium, mercury, PBB, PBDE, DBP, BBP, DEHP, DIBP, and 0.01% for cadmium, or qualify for an exemption to these limits as defined in the Annexes of Directive 2011/65/EU (RoHS2). Finished electrical and electronic equipment products will be CE marked as required by Directive 2011/65/EU. Components may not be CE marked. Additionally, the part numbers that TE has identified as EU ELV compliant have a maximum concentration of 0.1% by weight in homogenous materials for lead, hexavalent chromium, and mercury, and 0.01% for cadmium, or qualify for an exemption to these limits as defined in the Annexes of Directive 2000/53/EC (ELV). Regarding the REACH Regulation, the information TE provides on SVHC in articles for this part number is based on the latest European Chemicals Agency (ECHA) 'Guidance on requirements for substances in articles' posted at this URL: <https://echa.europa.eu/guidance-documents/guidance-on-reach>

## Compatible Parts



Also in the Series | [Triad 01 Cable Plug](#)



Standard Circular Connectors(14)

### Also in the Series | Triad 01 Solder



Standard Circular Connectors(10)

### Customers Also Bought



TE Part #2-1437719-1  
T01-0550-P05-MALE PLUG  
CONNECTOR SOLDER



TE Part #6-1437719-5  
T01-0570-P05-MALE REC PANEL-PCB  
STRAIGHT



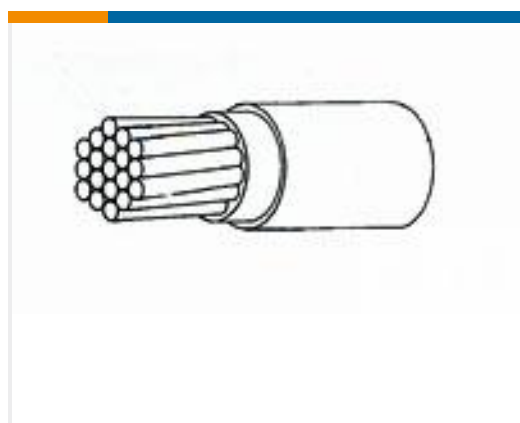
TE Part #3-1437719-6  
T01-0550-S05-FEMALE PLUG  
CONNECTOR SOLDE



TE Part #4-1437719-8  
T01-0560-P04-MALE REC PANEL-PCB  
MOUNT RA



TE Part #1-1879339-5  
CPF 0603 402K 1% 50PPM 1K RL



TE Part #218014-010  
55A0811-20-9



TE Part #5054422013  
RNF-100-1/8-5-STK

### Documents

#### Product Drawings

T01-0550-S04-FEMALE PLUG CONNECTOR SOLDE

English

T01-0550-S04-FEMALE PLUG CONNECTOR SOLDE

English



**CAD Files**

**3D PDF**

3D

**Customer View Model**

[ENG\\_CVM\\_CVM\\_3-1437719-3\\_B.2d\\_dxf.zip](#)

English

**Customer View Model**

[ENG\\_CVM\\_CVM\\_3-1437719-3\\_B.3d\\_igs.zip](#)

English

**Customer View Model**

[ENG\\_CVM\\_CVM\\_3-1437719-3\\_B.3d\\_stp.zip](#)

English

By downloading the CAD file I accept and agree to the [Terms and Conditions](#) of use.

**Datasheets & Catalog Pages**

[M8 / M12 Connector System Catalog](#)

Japanese

**Product Specifications**

[Product Specification](#)

English