

1-2103172-1 ✓ ACTIVE

## High Power Connector System

TE Internal #: 1-2103172-1

Housing for Female Terminals, 2 Position, Sealable, Orange, Bus Bar Mount, -40 – 149 °F [-40 – 65 °C], High Power Connector System

[View on TE.com >](#)



Connectors > Automotive Connectors > Automotive Housings



Number of Positions: 2

Connector & Housing Type: **Housing for Female Terminals**

Sealable: **Yes**

Number of Rows: 1

Primary Product Color: **Orange**

### Features

#### Product Type Features

Mixed & Hybrid Connector	Yes
Connector Shape	Rectangular
Connector & Housing Type	Housing for Female Terminals
Sealable	Yes
Primary Locking Feature	Integrated in Housing

#### Configuration Features

Number of Positions	2
Number of Rows	1

#### Electrical Characteristics

Operating Voltage	450 VDC
Nominal Voltage Architecture	12 V, 24 V, 42 V, 48 V, 80 V, 90 V, 125 V, 240 V

#### Body Features

Cable Exit Angle	180°
Primary Product Color	Orange



### Mechanical Attachment

Terminal Position Assurance	No
Strain Relief	Without
Mating Alignment Type	Polarized
Mating Alignment	With
Connector Mounting Type	Bus Bar Mount

### Housing Features

Housing Material	PA GF
------------------	-------

### Dimensions

Connector Height	109.9 mm[4.32 in]
Product Width	58.9 mm[2.31 in]
Product Length	111.2 mm[4.37 in]

### Usage Conditions

Operating Temperature Range	-40 – 65 °C[-40 – 149 °F]
-----------------------------	---------------------------

### Packaging Features

Packaging Quantity	9
Packaging Method	Package

### Other

Serviceable	No
Connector Position Assurance Capable	Yes

### Product Compliance

[For compliance documentation, visit the product page on TE.com>](#)

EU RoHS Directive 2011/65/EU	Compliant with Exemptions
EU ELV Directive 2000/53/EC	Compliant
China RoHS 2 Directive MIIT Order No 32, 2016	Restricted Materials Above Threshold
EU REACH Regulation (EC) No. 1907/2006	Current ECHA Candidate List: JUNE 2023 (235) Candidate List Declared Against: JUNE 2023 (235) SVHC > Threshold: Octamethylcyclotetrasiloxane (D4) (.5% in Component part) Decamethylcyclopentasiloxane (D5) (.5% in Component part)



Dodecamethylcyclohexasiloxane (D6) (.5% in Component part)

**Article Safe Usage Statements:**  
Wash thoroughly after handling. Recycle if possible and dispose of the article by following all applicable governmental regulations relevant to your geographic location.

Halogen Content	Low Bromine/Chlorine - Br and Cl < 900 ppm per homogenous material. Also BFR /CFR/PVC Free
-----------------	--

Solder Process Capability	Not applicable for solder process capability
---------------------------	--

Product Compliance Disclaimer

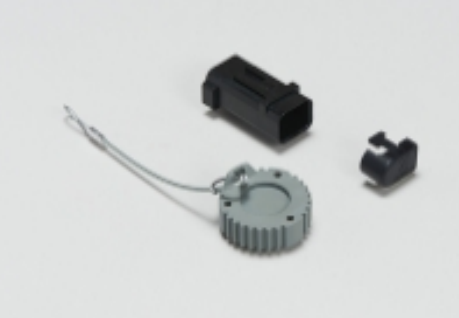
This information is provided based on reasonable inquiry of our suppliers and represents our current actual knowledge based on the information they provided. This information is subject to change. The part numbers that TE has identified as EU RoHS compliant have a maximum concentration of 0.1% by weight in homogenous materials for lead, hexavalent chromium, mercury, PBB, PBDE, DBP, BBP, DEHP, DIBP, and 0.01% for cadmium, or qualify for an exemption to these limits as defined in the Annexes of Directive 2011/65/EU (RoHS2). Finished electrical and electronic equipment products will be CE marked as required by Directive 2011/65/EU. Components may not be CE marked. Additionally, the part numbers that TE has identified as EU ELV compliant have a maximum concentration of 0.1% by weight in homogenous materials for lead, hexavalent chromium, and mercury, and 0.01% for cadmium, or qualify for an exemption to these limits as defined in the Annexes of Directive 2000/53/EC (ELV). Regarding the REACH Regulation, the information TE provides on SVHC in articles for this part number is based on the latest European Chemicals Agency (ECHA) 'Guidance on requirements for substances in articles' posted at this URL: <https://echa.europa.eu/guidance-documents/guidance-on-reach>

## Compatible Parts



TE Part # 1-1587987-1  
RECEPTACLE ASSEMBLY, 350A, MSD


## Also in the Series | High Power Connector System




Automotive Connector Caps & Covers (4)



Automotive Connector EMC Shielding (4)

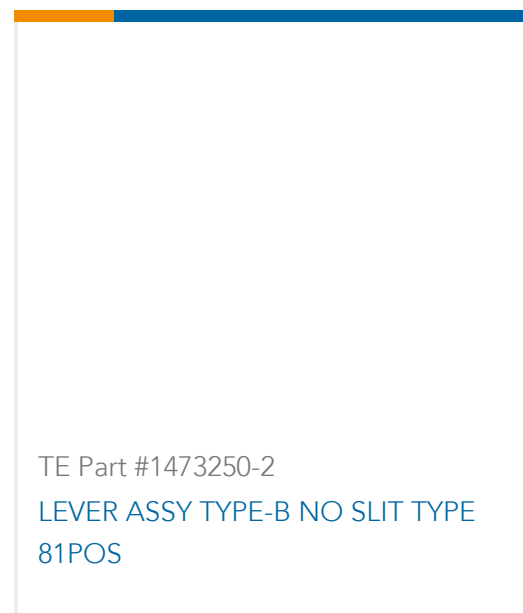
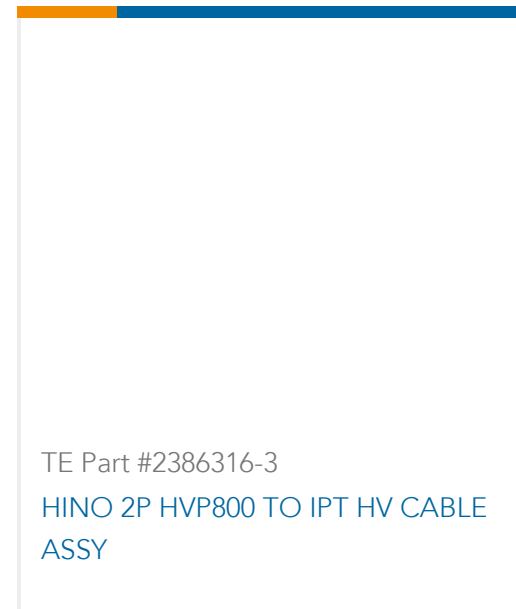
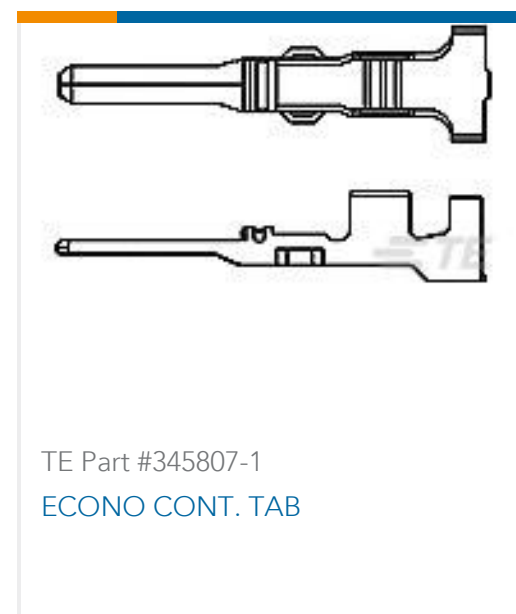


Automotive Housings(7)



Other Automotive Connector Accessories(10)

## Customers Also Bought



## Documents

### Product Drawings

#### Plug Assembly, 350A, MSD

English

### CAD Files

#### 3D PDF

3D

#### Customer View Model

[ENG\\_CVM\\_CVM\\_1-2103172-1\\_E.2d\\_dxf.zip](#)

English

#### Customer View Model

[ENG\\_CVM\\_CVM\\_1-2103172-1\\_E.3d\\_igs.zip](#)

English

#### Customer View Model

[ENG\\_CVM\\_CVM\\_1-2103172-1\\_E.3d\\_stp.zip](#)

English

By downloading the CAD file I accept and agree to the [Terms and Conditions](#) of use.

## Product Specifications



**Product Specification**

English

---

**Instruction Sheets**

**Instruction Sheet (U.S.)**

English

**Instruction Sheet (U.S.)**

English