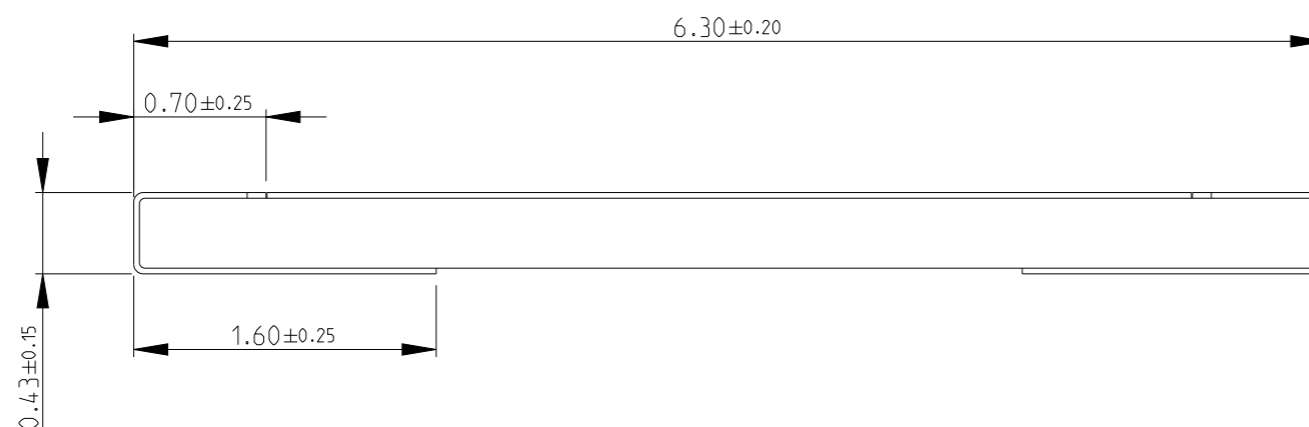


REVISIONS

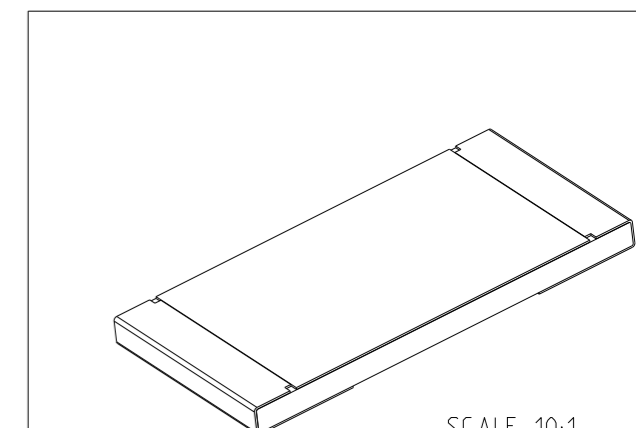
P	LTR	DESCRIPTION	DATE	DWN	APVD
	A	NEW DRAWING	05JUL2022	LG	AP

NOTES:

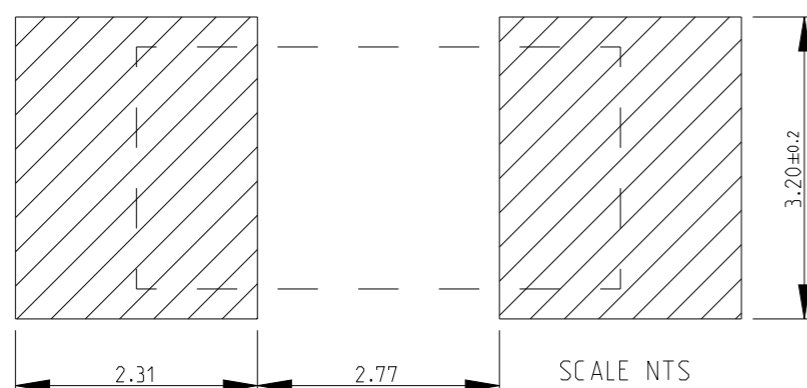
1. PCB WITH A COPPER THICKNESS OF TWO OUNCES SHOULD BE USED.
2. FOR FURTHER INFORMATION SEE DATA SHEET FOR 3504 SERIES ALUMINUM NITRIDE THIN FILM POWER RESISTORS.



RoHS Compliant



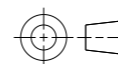
RECOMMENDED LAND PATTERN



THIS DRAWING IS A CONTROLLED DOCUMENT.

DIMENSIONS:
mm

TOLERANCES UNLESS OTHERWISE SPECIFIED:



- 0 PLC ±0.5
- 1 PLC ±0.2
- 2 PLC ±0.1
- 3 PLC ±
- 4 PLC ±
- ANGLES ±5°

MATERIAL

FINISH

DWN 05JUL2022

LALITH G

CHK 05JUL2022

ALLAN. P

APVD 05JUL2022

ALLAN. P

PRODUCT SPEC

APPLICATION SPEC

WEIGHT

NAME
ALUMINIUM NITRIDE THIN FILM POWER RESISTOR TYPE 3504 SERIES



TE Connectivity

SIZE CAGE CODE DRAWING NO RESTRICTED TO

A3 00779 C=2176533


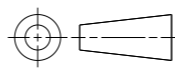
CUSTOMER DRAWING SCALE 25:1 SHEET 1 OF 3 REV A

REVISIONS

P	LTR	DESCRIPTION	DATE	DWN	APVD
	-	SEE SHEET 1	-	-	-

SCHEDULE			
TCPN	CATALOGUE NUMBER	PART DESCRIPTION	PART STATUS
2176533-1	3504G3A549RFTE	3504G 3A 549R 1% 4K RL	PRODUCTION
2176533-2	3504G3A562RFTE	3504G 3A 562R 1% 4K RL	PRODUCTION
2176533-3	3504G3A576RFTE	3504G 3A 576R 1% 4K RL	PRODUCTION
2176533-4	3504G3A590RFTE	3504G 3A 590R 1% 4K RL	PRODUCTION
2176533-5	3504G3A604RFTE	3504G 3A 604R 1% 4K RL	PRODUCTION
2176533-6	3504G3A619RFTE	3504G 3A 619R 1% 4K RL	PRODUCTION
2176533-7	3504G3A634RFTE	3504G 3A 634R 1% 4K RL	PRODUCTION
2176533-8	3504G3A649RFTE	3504G 3A 649R 1% 4K RL	PRODUCTION
2176533-9	3504G3A665RFTE	3504G 3A 665R 1% 4K RL	PRODUCTION
1-2176533-0	3504G3A681RFTE	3504G 3A 681R 1% 4K RL	PRODUCTION
1-2176533-1	3504G3A698RFTE	3504G 3A 698R 1% 4K RL	PRODUCTION
1-2176533-2	3504G3A715RFTE	3504G 3A 715R 1% 4K RL	PRODUCTION
1-2176533-3	3504G3A732RFTE	3504G 3A 732R 1% 4K RL	PRODUCTION
1-2176533-4	3504G3A750RFTE	3504G 3A 750R 1% 4K RL	PRODUCTION
1-2176533-5	3504G3A768RFTE	3504G 3A 768R 1% 4K RL	PRODUCTION
1-2176533-6	3504G3A787RFTE	3504G 3A 787R 1% 4K RL	PRODUCTION
1-2176533-7	3504G3A806RFTE	3504G 3A 806R 1% 4K RL	PRODUCTION
1-2176533-8	3504G3A825RFTE	3504G 3A 825R 1% 4K RL	PRODUCTION
1-2176533-9	3504G3A845RFTE	3504G 3A 845R 1% 4K RL	PRODUCTION
2-2176533-0	3504G3A866RFTE	3504G 3A 866R 1% 4K RL	PRODUCTION
2-2176533-1	3504G3A887RFTE	3504G 3A 887R 1% 4K RL	PRODUCTION
2-2176533-2	3504G3A909RFTE	3504G 3A 909R 1% 4K RL	PRODUCTION
2-2176533-3	3504G3A931RFTE	3504G 3A 931R 1% 4K RL	PRODUCTION
2-2176533-4	3504G3A953RFTE	3504G 3A 953R 1% 4K RL	PRODUCTION
2-2176533-5	3504G3A976RFTE	3504G 3A 976R 1% 4K RL	PRODUCTION
2-2176533-6	3504G3A1K0FTE	3504G 3A 1K0 1% 4K RL	PRODUCTION
2-2176533-7	3504G3A1K02FTE	3504G 3A 1K02 1% 4K RL	PRODUCTION
2-2176533-8	3504G3A1K05FTE	3504G 3A 1K05 1% 4K RL	PRODUCTION
2-2176533-9	3504G3A1K07FTE	3504G 3A 1K07 1% 4K RL	PRODUCTION
3-2176533-0	3504G3A1K1FTE	3504G 3A 1K1 1% 4K RL	PRODUCTION

SCHEDULE			
TCPN	CATALOGUE NUMBER	PART DESCRIPTION	PART STATUS
3-2176533-1	3504G3A1K13FTE	3504G 3A 1K13 1% 4K RL	PRODUCTION
3-2176533-2	3504G3A1K15FTE	3504G 3A 1K15 1% 4K RL	PRODUCTION
3-2176533-3	3504G3A1K18FTE	3504G 3A 1K18 1% 4K RL	PRODUCTION
3-2176533-4	3504G3A1K21FTE	3504G 3A 1K21 1% 4K RL	PRODUCTION
3-2176533-5	3504G3A1K24FTE	3504G 3A 1K24 1% 4K RL	PRODUCTION
3-2176533-6	3504G3A1K27FTE	3504G 3A 1K27 1% 4K RL	PRODUCTION
3-2176533-7	3504G3A1K3FTE	3504G 3A 1K3 1% 4K RL	PRODUCTION
3-2176533-8	3504G3A1K33FTE	3504G 3A 1K33 1% 4K RL	PRODUCTION
3-2176533-9	3504G3A1K37FTE	3504G 3A 1K37 1% 4K RL	PRODUCTION
4-2176533-0	3504G3A1K4FTE	3504G 3A 1K4 1% 4K RL	PRODUCTION
4-2176533-1	3504G3A1K43FTE	3504G 3A 1K43 1% 4K RL	PRODUCTION
4-2176533-2	3504G3A1K47FTE	3504G 3A 1K47 1% 4K RL	PRODUCTION
4-2176533-3	3504G3A1K5FTE	3504G 3A 1K5 1% 4K RL	PRODUCTION
4-2176533-4	3504G3A1K54FTE	3504G 3A 1K54 1% 4K RL	PRODUCTION
4-2176533-5	3504G3A1K58FTE	3504G 3A 1K58 1% 4K RL	PRODUCTION
4-2176533-6	3504G3A1K62FTE	3504G 3A 1K62 1% 4K RL	PRODUCTION
4-2176533-7	3504G3A1K65FTE	3504G 3A 1K65 1% 4K RL	PRODUCTION
4-2176533-8	3504G3A1K69FTE	3504G 3A 1K69 1% 4K RL	PRODUCTION
4-2176533-9	3504G3A1K74FTE	3504G 3A 1K74 1% 4K RL	PRODUCTION
5-2176533-0	3504G3A1K78FTE	3504G 3A 1K78 1% 4K RL	PRODUCTION
5-2176533-1	3504G3A1K82FTE	3504G 3A 1K82 1% 4K RL	PRODUCTION
5-2176533-2	3504G3A1K87FTE	3504G 3A 1K87 1% 4K RL	PRODUCTION
5-2176533-3	3504G3A1K91FTE	3504G 3A 1K91 1% 4K RL	PRODUCTION
5-2176533-4	3504G3A1K96FTE	3504G 3A 1K96 1% 4K RL	PRODUCTION
5-2176533-5	3504G3A2K0FTE	3504G 3A 2K0 1% 4K RL	PRODUCTION
5-2176533-6	3504G3A2K05FTE	3504G 3A 2K05 1% 4K RL	PRODUCTION
5-2176533-7	3504G3A2K1FTE	3504G 3A 2K1 1% 4K RL	PRODUCTION
5-2176533-8	3504G3A2K15FTE	3504G 3A 2K15 1% 4K RL	PRODUCTION
5-2176533-9	3504G3A2K21FTE	3504G 3A 2K21 1% 4K RL	PRODUCTION
6-2176533-0	3504G3A2K26FTE	3504G 3A 2K26 1% 4K RL	PRODUCTION

THIS DRAWING IS A CONTROLLED DOCUMENT.		DWN LALITH G	05JUL2022	 TE Connectivity NAME ALUMINIUM NITRIDE THIN FILM POWER RESISTOR TYPE 3504 SERIES	
DIMENSIONS: mm		CHK ALLAN. P	05JUL2022		
		APVD ALLAN. P	05JUL2022		
TOLERANCES UNLESS OTHERWISE SPECIFIED:		PRODUCT SPEC		APPLICATION SPEC	
MATERIAL		WEIGHT		SIZE	RESTRICTED TO
-		-		A3	-
-		-		CAGE CODE	SCALE
-		-		00779	25:1
-		-		DRAWING NO	SHEET
-		-		©-2176533	2 OF 3
-		-		CUSTOMER DRAWING	REV
-		-			A

REVISIONS

P	LTR	DESCRIPTION	DATE	DWN	APVD
-		SEE SHEET 1	-	-	-

SCHEDULE

TCPN	CATALOGUE NUMBER	PART DESCRIPTION	PART STATUS
6-2176533-1	3504G3A2K32FTE	3504G 3A 2K32 1% 4K RL	PRODUCTION
6-2176533-2	3504G3A2K37FTE	3504G 3A 2K37 1% 4K RL	PRODUCTION
6-2176533-3	3504G3A2K43FTE	3504G 3A 2K43 1% 4K RL	PRODUCTION
6-2176533-4	3504G3A2K49FTE	3504G 3A 2K49 1% 4K RL	PRODUCTION
6-2176533-5	3504G3A2K55FTE	3504G 3A 2K55 1% 4K RL	PRODUCTION
6-2176533-6	3504G3A2K61FTE	3504G 3A 2K61 1% 4K RL	PRODUCTION
6-2176533-7	3504G3A2K67FTE	3504G 3A 2K67 1% 4K RL	PRODUCTION
6-2176533-8	3504G3A2K74FTE	3504G 3A 2K74 1% 4K RL	PRODUCTION
6-2176533-9	3504G3A2K80FTE	3504G 3A 2K80 1% 4K RL	PRODUCTION
7-2176533-0	3504G3A2K87FTE	3504G 3A 2K87 1% 4K RL	PRODUCTION
7-2176533-1	3504G3A2K94FTE	3504G 3A 2K94 1% 4K RL	PRODUCTION
7-2176533-2	3504G3A3K01FTE	3504G 3A 3K01 1% 4K RL	PRODUCTION
7-2176533-3	3504G3A3K09FTE	3504G 3A 3K09 1% 4K RL	PRODUCTION
7-2176533-4	3504G3A3K16FTE	3504G 3A 3K16 1% 4K RL	PRODUCTION
7-2176533-5	3504G3A3K24FTE	3504G 3A 3K24 1% 4K RL	PRODUCTION
7-2176533-6	3504G3A3K32FTE	3504G 3A 3K32 1% 4K RL	PRODUCTION
7-2176533-7	3504G3A3K40FTE	3504G 3A 3K40 1% 4K RL	PRODUCTION
7-2176533-8	3504G3A3K48FTE	3504G 3A 3K48 1% 4K RL	PRODUCTION
7-2176533-9	3504G3A3K57FTE	3504G 3A 3K57 1% 4K RL	PRODUCTION
8-2176533-0	3504G3A3K65FTE	3504G 3A 3K65 1% 4K RL	PRODUCTION
8-2176533-1	3504G3A3K74FTE	3504G 3A 3K74 1% 4K RL	PRODUCTION
8-2176533-2	3504G3A3K83FTE	3504G 3A 3K83 1% 4K RL	PRODUCTION
8-2176533-3	3504G3A3K92FTE	3504G 3A 3K92 1% 4K RL	PRODUCTION
8-2176533-4	3504G3A4K02FTE	3504G 3A 4K02 1% 4K RL	PRODUCTION
8-2176533-5	3504G3A4K12FTE	3504G 3A 4K12 1% 4K RL	PRODUCTION
8-2176533-6	3504G3A4K22FTE	3504G 3A 4K22 1% 4K RL	PRODUCTION
8-2176533-7	3504G3A4K32FTE	3504G 3A 4K32 1% 4K RL	PRODUCTION
8-2176533-8	3504G3A4K42FTE	3504G 3A 4K42 1% 4K RL	PRODUCTION
8-2176533-9	3504G3A4K53FTE	3504G 3A 4K53 1% 4K RL	PRODUCTION
9-2176533-0	3504G3A4K64FTE	3504G 3A 4K64 1% 4K RL	PRODUCTION
9-2176533-1	3504G3A4K75FTE	3504G 3A 4K75 1% 4K RL	PRODUCTION
9-2176533-2	3504G3A4K87FTE	3504G 3A 4K87 1% 4K RL	PRODUCTION
9-2176533-3	3504G3A4K99FTE	3504G 3A 4K99 1% 4K RL	PRODUCTION
9-2176533-4	3504G3A5K11FTE	3504G 3A 5K11 1% 4K RL	PRODUCTION
9-2176533-5	3504G3A5K23FTE	3504G 3A 5K23 1% 4K RL	PRODUCTION
9-2176533-6	3504G3A5K36FTE	3504G 3A 5K36 1% 4K RL	PRODUCTION
9-2176533-7	3504G3A5K49FTE	3504G 3A 5K49 1% 4K RL	PRODUCTION
9-2176533-8	3504G3A5K62FTE	3504G 3A 5K62 1% 4K RL	PRODUCTION
9-2176533-9	3504G3A5K76FTE	3504G 3A 5K76 1% 4K RL	PRODUCTION

THIS DRAWING IS A CONTROLLED DOCUMENT.

DIMENSIONS: mm	TOLERANCES UNLESS OTHERWISE SPECIFIED:
	0 PLC ±0.5
	1 PLC ±0.2
	2 PLC ±0.1
	3 PLC ±
	4 PLC ±
	ANGLES ±°
MATERIAL	FINISH
-	-
-	-

DWN	LALITH G	05JUL2022
CHK	ALLAN. P	05JUL2022
APVD	ALLAN. P	05JUL2022
PRODUCT SPEC	-	-
APPLICATION SPEC	-	-
WEIGHT	-	-
CUSTOMER DRAWING		

STE TE Connectivity

NAME: ALUMINIUM NITRIDE THIN FILM POWER RESISTOR TYPE 3504 SERIES

SIZE	CAGE CODE	DRAWING NO	RESTRICTED TO
A3	00779	©=2176533	-
SCALE 25:1		SHEET 3 OF 3	REV A