



Products Unlimited | Products Unlimited 3100

TE Internal #: 4-1672124-2

TE Internal Description: 3100-20Q18999C=40A CONTACTOR

DP Contactors, 2 Pole

[View on TE.com >](#)

Relays & Contactors > Contactors > Definite Purpose Contactors > DP Contactors, 2 Pole



Number of Poles: 2

Coil Voltage Rating: 24 VAC

Contact Current Rating: 40 A

Contact Arrangement: 2 Form X, DPST-NO-DM

Coil Resistance: 11 Ω

[All DP Contactors, 2 Pole \(0\)](#)

## Features

### Configuration Features

Number of Poles	2
-----------------	---

### Electrical Characteristics

Actuating System	AC
Coil Voltage (Max)	24 VAC
Contact Switching Voltage (Max)	600 VAC
Coil Voltage Rating	24 VAC
Coil Resistance	11 Ω

### Contact Features

Contact Base Material	Silver Cadmium Oxide
Contact Current Rating	40 A
Contact Arrangement	2 Form X, DPST-NO-DM

### Termination Features

Mains Terminal Type	Box Lug with dual .25 Quick Connect
Coil Termination Type	.25 Quick Connect (Dual)

## Product Compliance

[For compliance documentation, visit the product page on TE.com>](#)




EU RoHS Directive 2011/65/EU	Compliant with Exemptions
EU ELV Directive 2000/53/EC	Not Compliant
China RoHS 2 Directive MIIT Order No 32, 2016	Restricted Materials Above Threshold
EU REACH Regulation (EC) No. 1907/2006	<p>Current ECHA Candidate List: JUNE 2023 (235)</p> <p>Candidate List Declared Against: JUNE 2022 (224)</p> <p>SVHC &gt; Threshold: Cadmium oxide (12.06% in Component Part)</p> <p><b>Article Safe Usage Statements:</b> Use personal protective equipment as required. Do not eat, drink or smoke when using this product. Recycle if possible and dispose of the article by following all applicable governmental regulations relevant to your geographic location.</p>
Halogen Content	Not Yet Reviewed for halogen content
Solder Process Capability	Not applicable for solder process capability

Product Compliance Disclaimer

This information is provided based on reasonable inquiry of our suppliers and represents our current actual knowledge based on the information they provided. This information is subject to change. The part numbers that TE has identified as EU RoHS compliant have a maximum concentration of 0.1% by weight in homogenous materials for lead, hexavalent chromium, mercury, PBB, PBDE, DBP, BBP, DEHP, DIBP, and 0.01% for cadmium, or qualify for an exemption to these limits as defined in the Annexes of Directive 2011/65/EU (RoHS2). Finished electrical and electronic equipment products will be CE marked as required by Directive 2011/65/EU. Components may not be CE marked. Additionally, the part numbers that TE has identified as EU ELV compliant have a maximum concentration of 0.1% by weight in homogenous materials for lead, hexavalent chromium, and mercury, and 0.01% for cadmium, or qualify for an exemption to these limits as defined in the Annexes of Directive 2000/53/EC (ELV). Regarding the REACH Regulation, the information TE provides on SVHC in articles for this part number is based on the latest European Chemicals Agency (ECHA) 'Guidance on requirements for substances in articles' posted at this URL: <https://echa.europa.eu/guidance-documents/guidance-on-reach>

### Compatible Parts

 <p>TE Part # 2-36161-3 TERMINAL,PIDG R IR 12 10</p>	 <p>TE Part # 8-32589-2 TERMINAL,PIDG SPD 12-10 10</p>	 <p>TE Part # 175022-1 250 PL EX REC. 18-14AWG PTBR</p>
---	---	--

### Also in the Series | Products Unlimited 3100



Definite Purpose Contactors(2)

### Customers Also Bought



TE Part #DT04-2P  
REC, 2P, GRY, N



TE Part #DT06-2S  
PLG, 2P, GRY, N



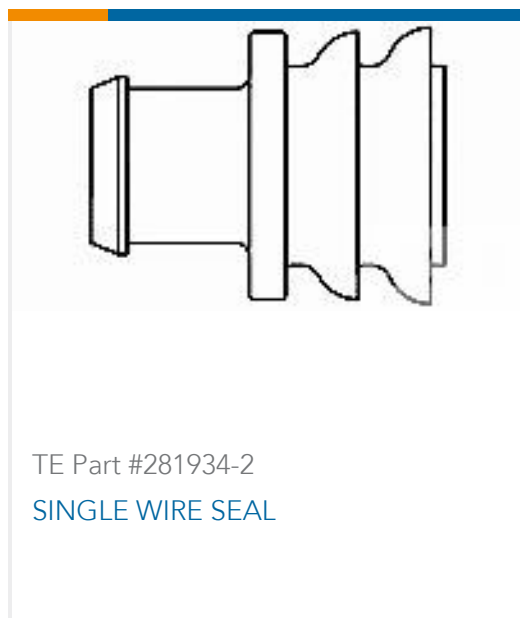
TE Part #W2S  
Wedgelocks: DEUTSCH DT



TE Part #0460-202-16141  
DEUTSCH Solid Contacts



TE Part #282104-1  
AMP SUPERSEAL 1.5MM,  
CONNECTOR HOUSING



TE Part #281934-2  
SINGLE WIRE SEAL



TE Part #114017-ZZ  
SEALING PLUG, SIZE 12/16, WHT

### Documents

#### CAD Files

3D PDF

3D

Customer View Model

[ENG\\_CVM\\_CVM\\_4-1672124-2\\_C.2d\\_dxf.zip](#)

English

Customer View Model

[ENG\\_CVM\\_CVM\\_4-1672124-2\\_C.3d\\_igs.zip](#)

English

Customer View Model

[ENG\\_CVM\\_CVM\\_4-1672124-2\\_C.3d\\_stp.zip](#)

English

By downloading the CAD file I accept and agree to the [Terms and Conditions](#) of use.

#### Datasheets & Catalog Pages

[Model 96 - 3100 Definite Purpose Contactor 1- or 2-pole, 20-40 FLA AC Coil](#)

English



---

**Product Specifications**

Definitions General Purpose Relays

English